

# BHX50

# Rapid

**3+2**

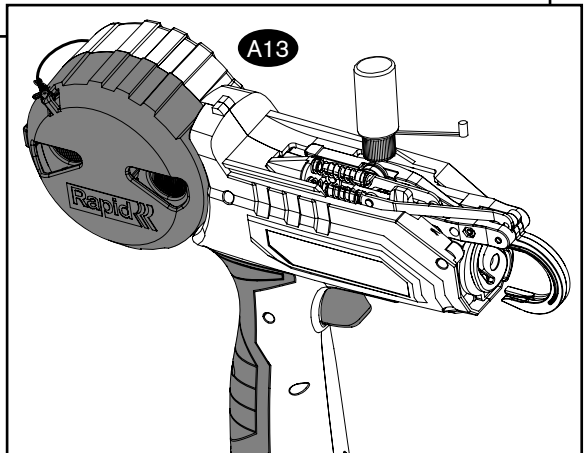
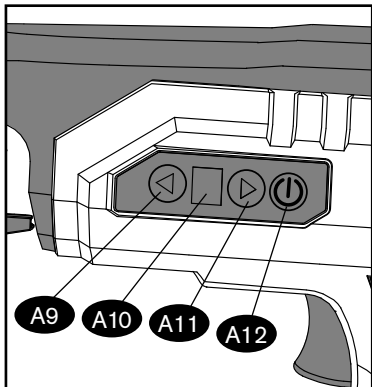
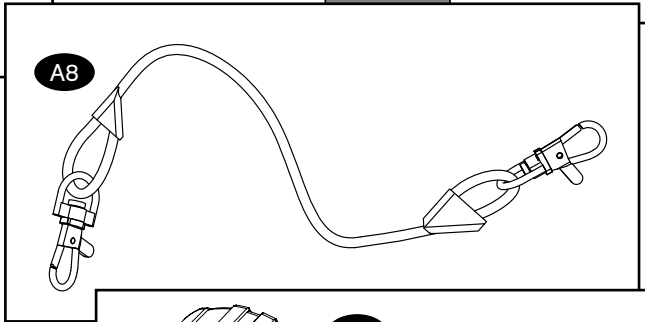
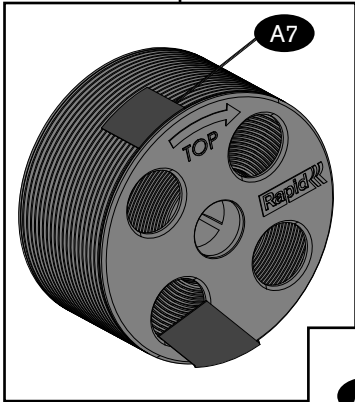
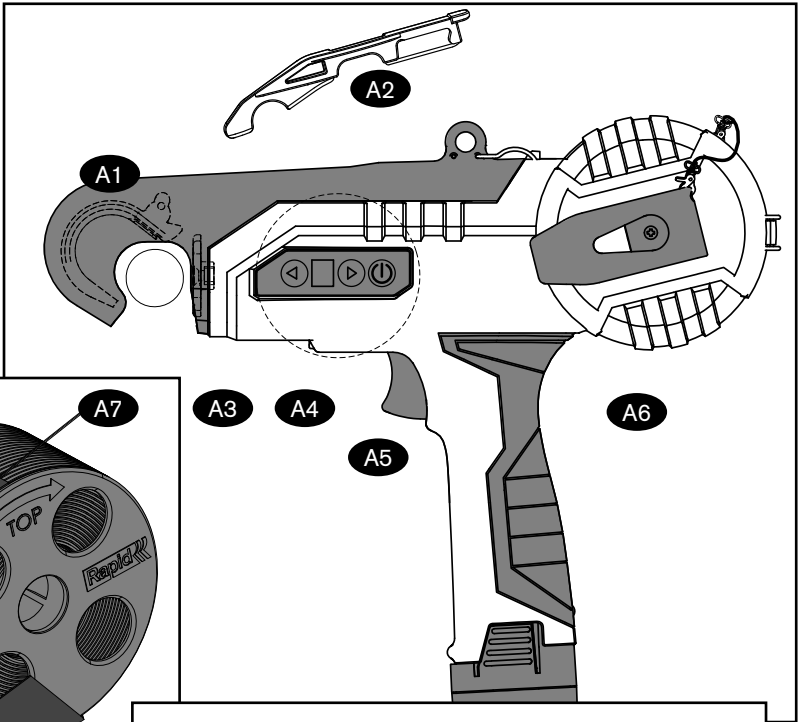
Years  
Guarantee

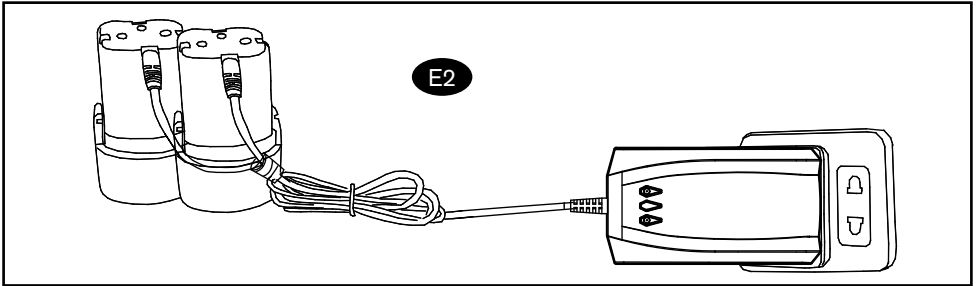
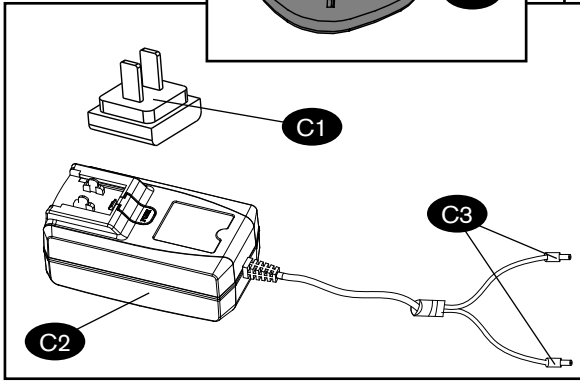
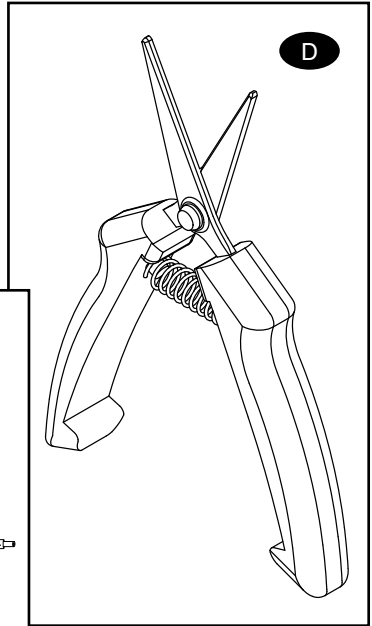
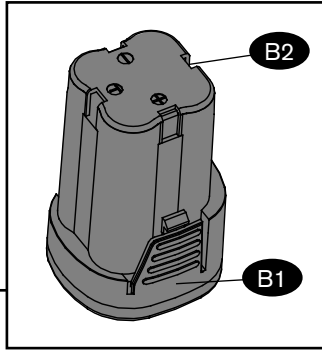


- GB** BATTERY TYING MACHINE
- DE** AKKU-BINDEGERÄT
- FR** LIEUR ELECTRIQUE SUR BATTERIE
- NL** ACCUBINDMACHINE
- IT** LEGATRICE A BATTERIA
- ES** ATADORA A BATERÍA
- PT** ATADORA A BATERIA
- CZ** AKUMULÁTOROVÝ VÁZACÍ STROJ
- SK** AKUMULÁTOROVÝ VIAZACÍ STROJ
- SI** BATERIJSKA VEZALKA
- HR** BATERIJSKA VEZAČICA
- GR** ΜΗΧΑΝΗ ΔΕΣΙΜΑΤΟΣ ΜΕ ΜΠΑΤΑΡΙΑ
- HU** AKKUMULÁTOROS KÖTÖZŐGÉP
- RO** MAȘINĂ DE LEGAT PE ACUMULATORI
- BG** АКУМУЛАТОРНА МАШИНА ЗА ВРЪЗВАНЕ



SERIAL NUMBER :

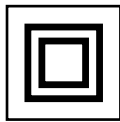




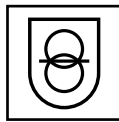
F1



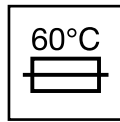
F2



F3



F4



F5



F6



F7



F8



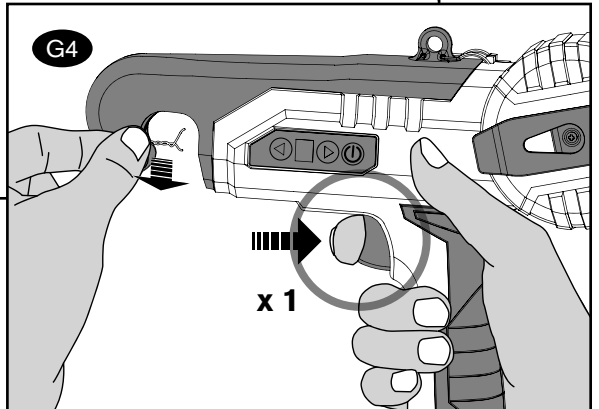
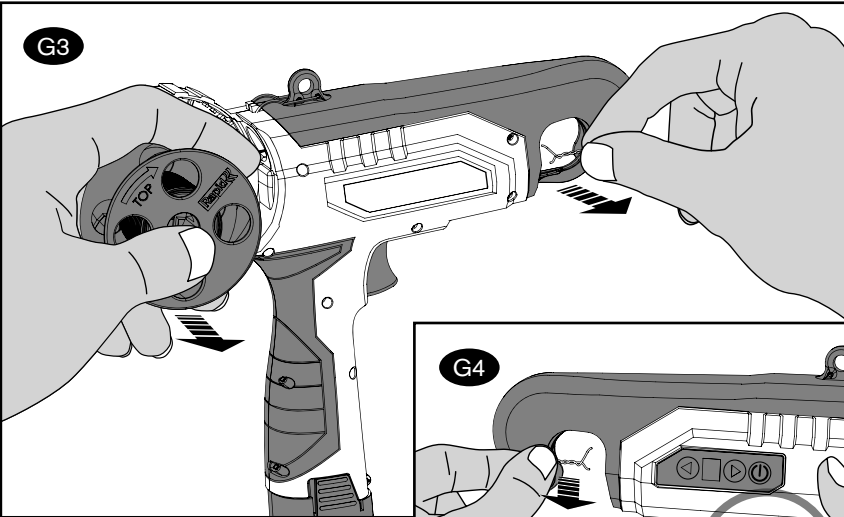
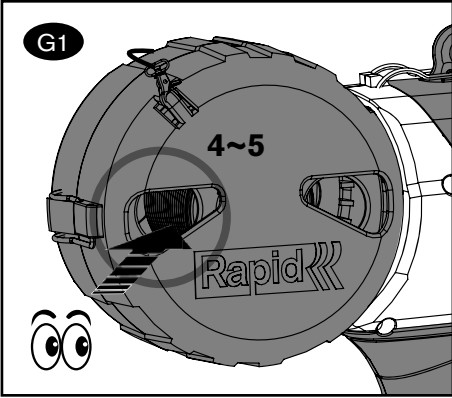
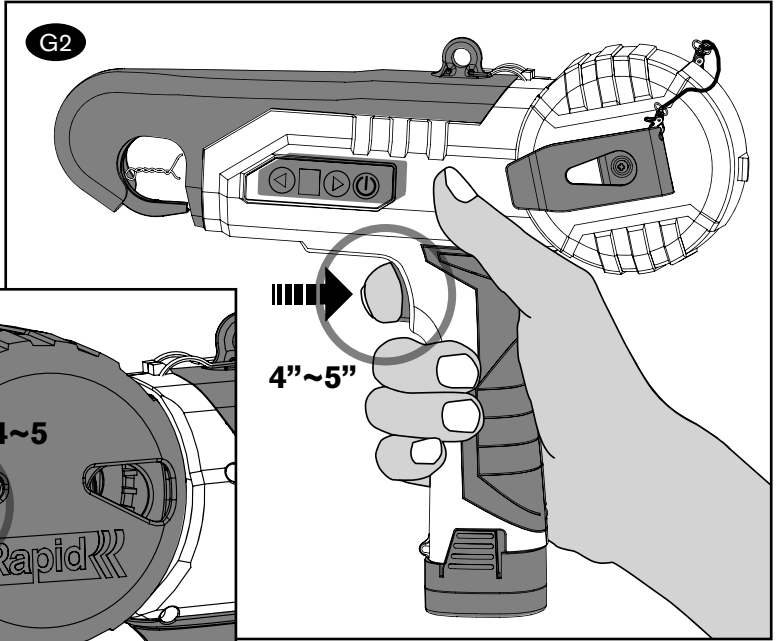
F9

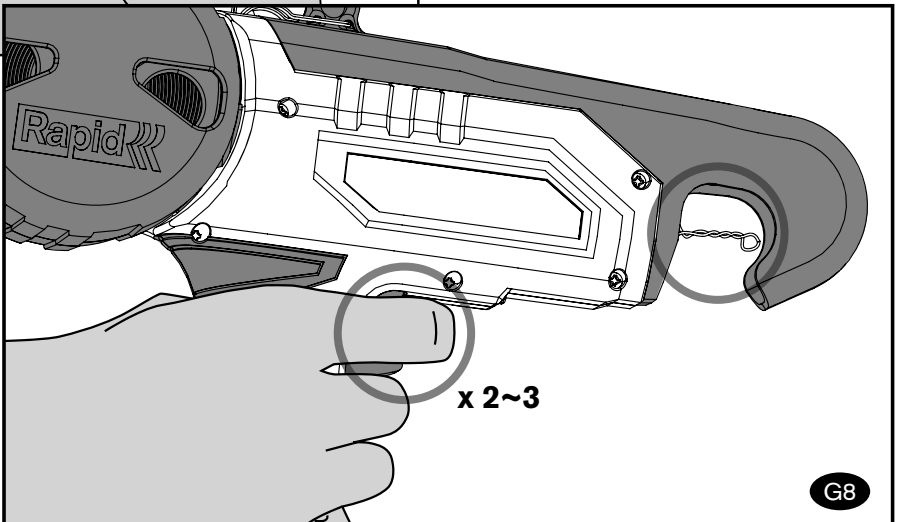
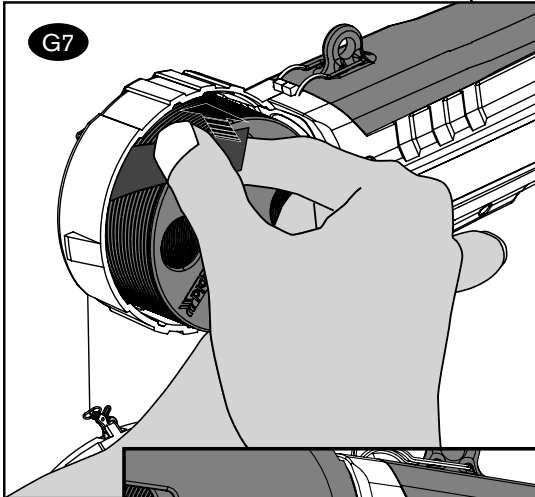
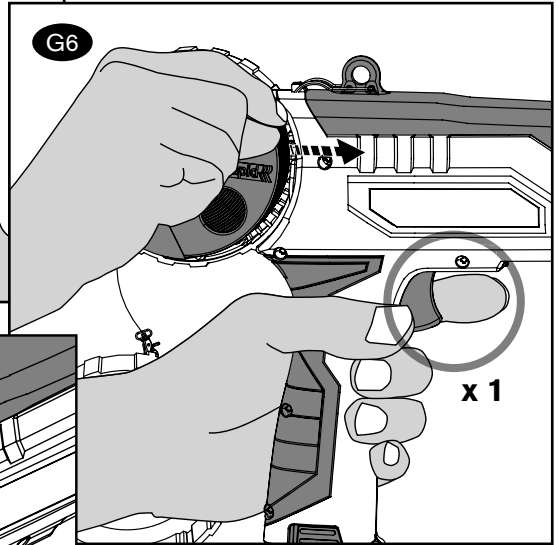
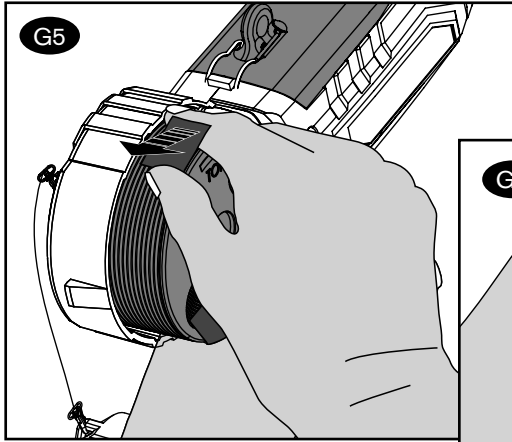


F10



F11





|           |   |    |
|-----------|---|----|
| <b>GB</b> | Operating instructions - Original                     | 7  |
| <b>DE</b> | Betriebsanleitung - Übersetzung der ursprünglichen    | 11 |
| <b>FR</b> | Notice technique - Traduction de l'original           | 17 |
| <b>NL</b> | Bedieningsvoorschriften - vertaling van het origineel | 23 |
| <b>IT</b> | Istruzioni per l'uso - traduzione dell'originale      | 28 |
| <b>ES</b> | Manual de instrucciones - traducción del original     | 34 |
| <b>PT</b> | Instruções de utilização - tradução do original       | 39 |
| <b>CZ</b> | Návod k obsluze - překlad originálu                   | 45 |
| <b>SK</b> | Návod na použitie - preklad originálu                 | 50 |
| <b>SI</b> | Navodila za uporabo - Prevod izvirnika                | 55 |
| <b>HR</b> | Upute za uporabu - prijevod izvornika                 | 60 |
| <b>GR</b> | Οδηγίες λειτουργίας - μετάφραση του πρωτοτύπου        | 65 |
| <b>HU</b> | Használati útmutató - az eredeti dokumentum fordítása | 71 |
| <b>RO</b> | Manual tehnic - traducere a originalului              | 76 |
| <b>BG</b> | инструкции за експлоатация - превод от оригинала      | 82 |

# BHX50 BATTERY TYING MACHINE

## Original instructions

GB

### TOOL PARTS DESCRIPTION

- A. Tying machine
- A1. Guiding hook
- A2. Tie pressing plate
- A3. Twisting wheel
- A4. LED light
- A5. Trigger
- A6. Feeding tray
- A7. Spool
- A8. Elastic strap
- A9. Twist selector- minus
- A10. Display screen
- A11. Twist selector- plus
- A12. Power button
- A13. Lubrication
- B. Lithium Battery
- B1. Battery release button
- B2. Battery input connector
- C. Battery charger
- C1. Power input connector
- C2. Charger LED light indicator
- C3. Charging jack
- D. Scissors
- E2. Battery charging
- F. Symbols
- F1. Please read through all safety warnings and instructions carefully.
- F2. Battery can only be charged indoors
- F3. Double insulation; grounding not required.
- F4. Fail-safe transformer charger.
- F5. Battery charging will automatically cut off when overheating occurs.
- F6. Do not use or expose the tying machine in rainy conditions.
- F7. Electrical equipment cannot be disposed of with household waste.
- F8. Never touch charged objects with electric scissors.
- F9. Wear eye and ear protection.
- F10. Wear protective gloves.
- F11. Warning symbol, with information about personal injury

### INTRODUCTION

This tool is intended for tying vine shoots in vineyards with a maximum diameter of 25mm.

The tying machine should be used only for the intended purposes.

If this tool is used for other unapproved purposes, it may cause damage to the tool and cause harm to the user.

This tool shall only be used by adults or by young people under the supervision of adults.

The operator or the user shall assume full responsibility

for any harm to others or any damage to property caused by any accident occurring during use.

The manufacturer shall not be liable for any damage caused by non normal or improper use.

### TECHNICAL SPECIFICATION

|                                       |   |
|---------------------------------------|---|
| Battery binding machine, model number | BHX50   |
| Roll type                             | Paper tie or Plastic tie  |
| Magazine capacity, max                | 100 m   |
| Max tying capacity                    | 25 mm   |
| Tool dimensions H x W x L             | 240 x 75 x 310 mm   |
| Weight                                | 1.065 kg (incl. battery)  |
| Battery model, type, voltage          | Detachable model KH-B1A16BX, Li-Ion, 14.4V  |
| Battery capacity, power, max power    | 2500 mAh, 30W, 50W  |
| Battery charging conditions           | +4°C to +40°C   |
| Battery storage conditions            | -20°C to +50°C  |
| Battery charger                       | 100-240V A.C, 50-60Hz, 0.5A input<br>16.8V D.C, 1.42A, terminals for two batteries, sequence charging |
| Charging time                         | 120 minutes/each battery  |
| Ties per charge, max                  | ≈ 9000 ties   |
| Tying speed, max continuous           | 12 ties/ min  |
| Operation conditions                  | +4°C to +40°C   |

### GENERAL POWER TOOLS SAFETY WARNINGS



**WARNING!!** Read all safety warnings, instructions, illustrations and specifications provided with this power tool.



**Failure to follow all instructions listed below may result in electric shock, fire and/or serious personal injury.**

**Save all warnings and instructions for future reference.**

The term "power tool" in the warnings refers to your mains-operated (corded) power tool or battery-operated (cordless) power tool.

#### 1) WORK AREA SAFETY

- a) **Keep your work area clean and well lit.** Cluttered benches and dark areas invite accidents.
- b) **Do not operate power tools in explosive atmospheres, such as in the presence of flammable liquids, gases, or dust.** Power tools create sparks which may ignite the dust or fumes.
- c) **Keep bystanders, children, and visitors away while operating a power tool.** Distractions can cause you to lose control.

#### 2) ELECTRICAL SAFETY

- a) **Power tool plugs must match the outlet. Never**

**modify the plug in any way. Do not use any adapter plugs with earthed (grounded) power tools.** Unmodified plugs and matching outlets will reduce risk of electric shock.

- b) **Avoid body contact with earthed or grounded surfaces, such as pipes, radiators, ranges and refrigerators.** There is an increased risk of electric shock if your body is grounded.
- c) **Do not expose power tools to rain or wet conditions.** Water entering a power tool will increase the risk of electric shock.
- d) **Do not abuse the cord. Never use the cord for carrying, pulling or unplugging the power tool.** Keep cord away from heat, oil, sharp edges or moving parts. Damaged or entangled cords increase the risk of electric shock.
- e) **When operating a power tool outdoors, use an extension cord suitable for outdoor use.** Use of a cord suitable for outdoor use reduces the risk of electric shock.
- f) **If operating a power tool in a damp location is unavoidable, use a residual current device (RCD) protected supply.** Use of an RCD reduces the risk of electric shock.

### 3) PERSONAL SAFETY

- a) **Stay alert, watch what you are doing and use common sense when operating a power tool. Do not use a power tool while you are tired or under the influence of drugs, alcohol or medication.** A moment of inattention while operating power tools may result in serious personal injury.
- b) **Use personal protective equipment. Always wear eye protection.** Protective equipment such as a dust mask, non-skid safety shoes, hard hat or hearing protection used for appropriate conditions will reduce personal injuries.
- c) **Prevent unintentional starting. Ensure the switch is in the off-position before connecting to power source and/or battery pack, picking up or carrying the tool.** Carrying power tools with your finger on the switch or energizing power tools that have the switch on invites accidents.
- d) **Remove any adjusting key or wrench before turning the power tool on.** A wrench or a key left attached to a rotating part of the power tool may result in personal injury.
- e) **Do not overreach. Keep proper footing and balance at all times.** This enables better control of the power tool in unexpected situations.
- f) **Dress properly. Do not wear loose clothing or jewellery. Keep your hair and clothing away from moving parts.** Loose clothes, jewellery or long hair can be caught in moving parts.
- g) **If devices are provided for the connection of dust extraction and collection facilities, ensure these are connected and properly used.** Use of dust collection can reduce dust-related hazards.
- h) **Do not let familiarity gained from frequent use of tools allow you to become complacent and ignore tool safety principles.** A careless action can cause severe injury within a fraction of a second.

### 4) POWER TOOL USE AND CARE

- a) **Do not force the power tool. Use the correct**

**power tool for your application.** The correct power tool will do the job better and safer at the rate for which it was designed.

- b) **Do not use the power tool if the switch does not turn it on and off.** Any power tool that cannot be controlled with the switch is dangerous and must be repaired.
  - c) **Disconnect the plug from the power source and/or remove the battery pack, if detachable, from the power tool before making any adjustments, changing accessories, or storing power tools.** Such preventive safety measures reduce the risk of starting the power tool accidentally.
  - d) **Store idle power tools out of the reach of children and do not allow persons unfamiliar with the power tool or these instructions to operate the power tool.** Power tools are dangerous in the hands of untrained users.
  - e) **Maintain power tools and accessories. Check for misalignment or binding of moving parts, breakage of parts and any other condition that may affect the power tool's operation. If damaged, have the power tool repaired before use.** Many accidents are caused by poorly maintained power tools.
  - f) **Keep cutting tools sharp and clean.** Properly maintained cutting tools with sharp cutting edges are less likely to bind and are easier to control.
  - g) **Use the power tool, accessories and tool bits etc. in accordance with these instructions, taking into account the working conditions and the work to be performed.** Use of the power tool for operations different from those intended could result in a hazardous situation.
  - h) **Keep handles and grasping surfaces dry, clean and free from oil and grease.** Slippery handles and grasping surfaces do not allow for safe handling and control of the tool in unexpected situations.
- ### 5) BATTERY TOOL USE AND CARE
- a) **Recharge only with the charger specified by the manufacturer.** A charger that is suitable for one type of battery pack may create a risk of fire when used with another battery pack.
  - b) **Use power tools only with specifically designated battery packs.** Use of any other battery packs may create a risk of injury and fire.
  - c) **When battery pack is not in use, keep it away from other metal objects, like paper clips, coins, keys, nails, screws or other small metal objects, that can make a connection from one terminal to another.** Shorting the battery terminals together may cause burns or a fire.
  - d) **Under abusive conditions, liquid may be ejected from the battery; avoid contact. If contact accidentally occurs, flush with water. If liquid contacts eyes, additionally seek medical help.** Liquid ejected from the battery may cause irritation or burns.
  - e) **Do not use a battery pack or tool that is damaged or modified.** Damaged or modified batteries may exhibit unpredictable behaviour resulting in fire, explosion or risk of injury.



- f) **Do not expose a battery pack or tool to fire or excessive temperature.** Exposure to fire or temperature above 130 °C/265 °F may cause explosion.
- g) **Follow all charging instructions and do not charge the battery pack or tool outside the temperature range specified in the instructions.** Charging improperly or at temperatures outside the specified range may damage the battery and increase the risk of fire.
- 6) **SERVICE**
  - a) **Have your power tool serviced by a qualified repair person using only identical replacement parts.** This will ensure that the safety of the power tool is maintained.
  - b) **Never service damaged battery packs.** Service of battery packs should only be performed by the manufacturer or authorized service providers.

## TYING MACHINE SAFETY WARNINGS



### WARNING!

1. Do not remove the front cover while operating. To avoid personal injury keep the front end tying mouth away from any part of the body.
2. After tying operation is completed, move the tool to the next operating position carefully. Careful handling of the tool will protect the operator and extend the service life of the tying machine.
3. Do not use the tying machine in rain, water inside the tool may damage it.
4. The product is designed to tie grape vines and other branches within the effective range of 25 mm maximum diameter. Operation out of the range may damage the tool or reduce service life.
5. Turn off power before any attempt to remove the feeding hook or tying wire.
6. Make sure there is enough space for the feeding hook to move, if there is any movement interference the tying result may be poor.
7. Do not use the tool near any flammable liquids or gases. If a short circuit occurs, it may cause an explosion or fire.
8. The feeding system must be checked and cleaned frequently. If foreign materials accumulate in the feeding track, it will affect tying operation and increase load to the equipment. Product warranty does not cover damage caused by poor maintenance.
9. Do not attempt to repair the tool yourself, unless you have been trained. Repair operations not mentioned in this manual should only be performed by personnel at our service center.

### NOISE EMISSION/VIBRATION

- A-weighted sound pressure level  $L_{pA} = 70.5$  dB(A), uncertainty  $K=3$  dB(A). A-weighted sound power level  $L_{wA} = 81.5$  dB(A), uncertainty  $K=3$  dB(A). Recommendation for the operator to wear hearing protection.
- Vibration total value  $= 1.125$  m/s<sup>2</sup>, uncertainty  $K=1.5$  m/s<sup>2</sup>  
The declared vibration total value has been measured in accordance with a standard test method and may be used for comparing one tool

with another.

The declared vibration total value may also be used in a preliminary assessment of exposure.



### WARNING!

The vibration emission during actual use of the power tool can differ from the declared total value depending on the ways in which the tool is used.

It's necessary to identify safety measures to protect the operator that are based on an estimation of exposure in the actual conditions of use (taking into account all parts of the operating cycle, such as the times when the tool is switched off and when it is running idle, in addition to the trigger time).

## TUTORIALS

Scan the QR code on the front of the manual or go to [www.rapid.com](http://www.rapid.com) to benefit from a 2-year warranty extension and to access our tutorial videos:

- How to change the spools
- How to handle the tool
- How to replace wearing parts

## OPERATION AND USE

### TURN ON TYING MACHINE

Make sure the tool is in good working condition.

Insert a charged battery into the power connector of the tying machine

Press power button, the display lights up and you will hear one long, 3 short and one long beep.

### TYING OPERATION

Place branches inside the tying mouth

Press trigger to make a tie

Release the trigger and remove the tool from the branch

Repeat to make next tie

### LOAD NEW SPOOL USING SMART CUT




### ATTENTION! FOLLOW THOSE 8 STEPS TO EFFECTIVELY RELOAD THE TOOL

1. Stop tying when you have 4-5 turns of remaining wire on spool; see picture G1
2. Hold trigger 4-5s until guiding hook locks in active position then release. Smart cut is activated; see picture G2
- ! Do not turn off the machine and do not press the trigger yet. Open pull buckle and remove outer cover.
3. Remove used spool with remaining wire and tie in hook mouth; see picture G3
4. Now press trigger once to deactivate smart cut and remove tie from hook mouth; see picture G4
5. Place the new spool directly into the magazine. Remove "end fixing tape"; see picture G5.
6. Insert the wire flat into the feed nozzle until the wire reaches the end stop and press trigger to feed the inserted wire; see picture G6
- ! Make sure the wire is inserted from above and not from below, also make sure the wire is not twisted and knotted.
7. Remove main fixing tape; see picture G7
8. Put reel-holder cover back and press trigger until you have an acceptable tie; see picture G8

## ADJUSTING TWIST LEVEL

To make the knots optimal for the type of branches you tie, you can adjust the number of twists by selecting "Twist level".

| Twist selector  |   |   |   |   |
|---|---|---|---|---|
| Twist level  | 1 | 2 | 3 | 4 |
| Number of twists  | 2 | 3 | 4 | 5 |

## FAILURE BEEP INDICATIONS

| Buzzer Sound Frequency Times | Failure                  | Solution Method                   |
|------------------------------|--------------------------|-----------------------------------|
| Single beep                  | Battery capacity failure | Check if battery capacity is low. |
| Multiple beeps               | Internal tool failure    | Tool needs qualified service      |

## BATTERY PACK USE AND CARE



### CAUTION!!

1. Only use battery charger as supplied together with the tool, the use of other chargers may cause fire.
2. Only use, charge or store battery pack within the specified temperature range.
3. Below +4C°, battery capacity may be affected and reduce the number of cycles.
4. Do not short-circuit the battery pack and ensure to keep conductive items away from the battery pack when not in use.
5. Do not disassemble the battery pack.
6. Do not use the battery pack close to any heat source.
7. Do not put the battery pack in fire or in water.
8. Do not make any harm to the battery pack.
9. Do not use a battery pack that is damaged, deformed or corroded.
10. Do not perform soldering or welding on the battery pack.
11. Do not use the battery pack on equipment other than the designated tool.
12. Do not place the battery pack in microwave oven.
13. Do not use a battery pack that is leaking.
14. Keep the battery pack out of the reach of CHILDREN.
15. If you come into contact with a leaking battery pack, wash with clear water immediately.

## BATTERY PACK CHARGING

Connect the battery to the charger and connect the charger plug to the power socket. The LED indicator on the charger will turn RED during charging and turn GREEN when the battery is fully charged; see picture E2.



### CAUTION!!

## BATTERY PACK CHARGING

1. During charging, it is normal for the charger and battery pack to be warm.
2. Do not charge a damaged battery pack and do not disassemble the charger or battery pack.
3. Only charge the battery pack within the specified temperature range.
4. Do not place battery pack near a high temperature heat source; the battery pack may explode in

fire or after a long exposure to a high temperature heat source.

5. Do not charge the battery pack in an outdoor or humid environment.

## BATTERY PACK STORAGE

1. To ensure good battery pack storage, keep it within the specified temperature range.
2. If the equipment is not used for a long time, remove and charge the battery pack before storage.
3. It is recommended to place the battery and charger in the tool's box during storage.
4. Battery should be stored in a dry environment away from any inflammables.

## CHARGER USE AND CARE



### CAUTION!!

Use the original charger to ensure the safety of the equipment.

Only use a charger in good condition and never try to use a defective charger.

Make sure that the supply voltage matches the rated voltage of the charger nameplate.

Disconnect the charger from the power supply when not in use.

Do not use the charger in an outdoor or humid environment. The entry of dirt or water will increase the risk of electric shock.

The charger shall only be used to charge the original battery, otherwise it may result in personal injury and cause a fire.

Avoid any damage to the charger; a damaged charger may increase the risk of electric shock.

Do not use chargers on flammable surfaces (e.g. paper, textiles)

If the power supply cord of the charger is damaged, it must be replaced by qualified personnel.

## MAINTENANCE



### WARNING!!

Disconnect battery before any maintenance

## GENERAL CLEANING AFTER EACH SPOOL IS FINISHED

The tool should be wiped with a wet cloth.

Use a paintbrush or similar to brush away foreign matters in the guide lane, twister wheel and feeding tray.

! Do not use any cleaning agent, as this may cause permanent damage to the tool.

## OIL & LUBRICATION AFTER EACH WORK DAY

Use good multigrade oil, for example 3-IN-ONE or 15W-40. Lubricate each movable joint and the cutter, see picture A13.

## FEEDING DEVICE REPLACEMENT

When the feeding wheel no longer feeds the wire, a replacement is recommended. Kit part number: 5001602

## TWIST & HOOK DEVICE REPLACEMENT

In case the twisting wheel stops twisting or you end up with bad twists, a replacement is recommended. Kit part number: 5001603

## BRAKE DEVICE REPLACEMENT

When the O-ring between the rotating brake and the fixed brake hub is worn out, a replacement is recommended. Kit part number: 5001604

### SPARE PART LIST

#### KIT A: CUTTING DEVICE Art No 5001601

| POSITION | DESCRIPTION       | QUANTITY |
|----------|-------------------|----------|
| 76.      | Fixed blade       | 1        |
| 77.      | Blade guide block | 1        |
| 81.      | Mobile blade      | 1        |

#### KIT B: FEEDING DEVICE Art No 5001602

| POSITION | DESCRIPTION  | QUANTITY |
|----------|--------------|----------|
| 80.      | Rubber wheel | 3        |
| 84.      | Circip       | 3        |

#### KIT C: TWIST & HOOK DEVICE Art No 5001603

| POSITION | DESCRIPTION  | QUANTITY |
|----------|--------------|----------|
| 61.      | Bundle wheel | 1        |
| 62.      | Hex screw    | 1        |
| 68.      | Main hook    | 1        |
| 69.      | Pin          | 1        |
| 54.      | Guide block  | 1        |

#### KIT D: BRAKE DEVICE Art No 5001604

| POSITION | DESCRIPTION | QUANTITY |
|----------|-------------|----------|
| 5.       | Head Screw  | 1        |
| 6.       | Flat Gasket | 1        |
| 8.       | Ring        | 1        |
| 11.      | Band        | 1        |

#### KIT E: SCISSORS Art No 5001605

## ADDITIONAL SERVICE INFORMATION

Look at [www.rapid.com](http://www.rapid.com)

### WARRANTY

#### I. WARRANTY PERIOD

This RAPID product is guaranteed for three (3) years under the manufacturer's warranty (or commercial warranty), from the delivery date to the end user (wearing parts, accessories, batteries, and chargers excluded). The batteries and chargers are guaranteed for two (2) years. To extend the tool warranty to five (5) years, please register online at [www.rapid.com](http://www.rapid.com) or scan the QR code. Have your tool and purchase receipt ready.

#### II. WARRANTY CONDITIONS

Any products used differently from intended or operated in conditions different from the intended ones, especially regarding the points stated in this user's

manual, cannot be claimed under the manufacturer's warranty. The warranty also doesn't apply in the event of shock, fall, negligence, lack of supervision and/or maintenance. Any alteration, transformation or modification carried out on the products by the end user invalidates the warranty. The wearing parts, accessories and/or consumables are never covered by the warranty.

Considered as accessories, wearing parts, or consumables:

the transport case and packaging, the wire spools, and the spare parts kits (KIT A to KIT E) included in this user's manual.

#### III. CLAIM UNDER WARRANTY

The warranty period starts from the delivery date to the end user.

In the event of a claim under warranty, the product must be returned in its original case (batteries & charger included), along with a copy of the original dated receipt.

### SPOOL DISPOSAL

Do not dispose of the empty spools with the usual domestic waste. Empty spools are to be recycled as plastic at a local collection point.

### BATTERY DISPOSAL

Exhausted batteries are to be removed from the appliance and safely disposed of.

Batteries may not be disposed of with the usual domestic waste, they may contain toxic heavy metals and are subject to hazardous waste regulations.

For this reason, dispose of used batteries at a local collection point.



2012/19/EU

EN Waste Electrical and Electronic Equipment (WEEE)

Electrical and electronic devices contain materials and substances that can have damaging effects on human health and the environment. This symbol indicates that this device must not be treated as unsorted municipal waste, but must be collected separately! Dispose of the device via a collection point for the recycling of waste electrical and electronic equipment within the EU and in other European countries that operate separate collection systems for waste electrical and electronic equipment. By disposing of the device in the proper manner, you help to avoid possible hazards for the environment and public health that could otherwise be caused by improper treatment of waste equipment. The recycling of materials contributes to the conservation of natural resources.

## BHX50 AKKU-BINDEGERÄT

### Übersetzung der Originalanleitung

DE

#### BESCHREIBUNG DER GERÄTETEILE

- A. Bindeggerät
- A1. Führungshaken
- A2. Führungsblech

- A3. Verdrillungsrad
- A4. LED-Leuchte
- A5. Auslösehebel
- A6. Spulenhalter
- A7. Spule

- A8. Elastisches Band
- A9. Verdrillungsauswahltaste - Minus
- A10. Anzeigedisplay
- A11. Verdrillungsauswahltaste - Plus
- A12. Einschalttaste
- A13. Schmierung
- B. Lithium Akku
- B1. Akku-Entriegelungstaste
- B2. Akku-Eingangsverbindung
- C. Akkuladegerät
- C1. Netzeingangsstecker
- C2. LED-Ladestandsanzeige des Ladegeräts
- C3. Ladeanschluss
- D. Schere
- E2. Laden des Akkus
- F. Symbole
- F1. Bitte lesen Sie alle Sicherheitshinweise und Anweisungen sorgfältig durch.
- F2. Der Akku kann nur in Innenräumen geladen werden.
- F3. Doppelte Isolierung, Erdung nicht erforderlich.
- F4. Störungssicheres Trafo-Ladegerät.
- F5. Der Ladevorgang wird automatisch unterbrochen, wenn eine Überhitzung auftritt.
- F6. Das Bindeggerät nicht bei Regen benutzen oder Nässe aussetzen.
- F7. Elektrogeräte dürfen nicht mit dem Hausmüll entsorgt werden.
- F8. Berühren Sie niemals geladene Gegenstände mit einer elektrischen Schere.
- F9. Tragen Sie einen Augen- und Gehörschutz.
- F10. Schutzhandschuhe tragen.
- F11. Warnsymbol, mit Informationen über Personenschäden.

### EINFÜHRUNG

Dieses Gerät ist für das Anbinden von Rebstöcken in Weinbergen mit einem maximalen Durchmesser von 25 mm bestimmt.

Das Bindeggerät darf nur für die vorgesehenen Zwecke verwendet werden.

Wenn dieses Gerät für andere, nicht zugelassene Zwecke verwendet wird, kann dies zu Schäden am Gerät und zu Verletzungen des Benutzers führen. Dieses Werkzeug darf nur von Erwachsenen oder von Jugendlichen unter Aufsicht von Erwachsenen verwendet werden.

Der Betreiber bzw. der Benutzer trägt die volle Verantwortung für Schäden an anderen Personen oder für Sachschäden, die durch einen Unfall während der Benutzung verursacht werden.

Der Hersteller haftet nicht für Schäden, die durch nicht bestimmungsgemäßen oder unsachgemäßen Gebrauch entstehen.

### TECHNISCHE SPEZIFIKATION

|                                |  |
|--------------------------------|--|
| Akku-Bindeggerät, Modellnummer | BHX50  |
| Rollentyp                      | Papierbeschichtet oder Kunststoffbeschichtet |
| Magazinkapazität, max.         | 100 m  |

|  |   |
|--|---|
| Maximale Bindekapazität                  | 25 mm   |
| Abmessungen des Geräts H x B x L         | 240 x 75 x 310 mm   |
| Gewicht                                  | 1,065 kg (einschl. Akku)  |
| Akkumodell, -typ, Nennspannung           | Abnehmbares Modell KH-B1A16BX, Li-Ion, 14,4V  |
| Akkukapazität, Leistung, max. Leistung   | 2500 mAh, 100 W, 500 W  |
| Ladebedingungen des Akkus                | +4°C bis +40°C  |
| Bedingungen für die Lagerung des Akkus   | -20°C bis +50°C   |
| Akku-Ladegerät                           | 100-240V A.C, 50-60Hz, 0,5A Eingang<br>16,8V D.C, 1,42A, Anschlüsse für zwei Akkus, Sequenzladung |
| Ladezeit                                 | 120 Minuten/jeder Akku  |
| Bindungen pro Ladung, max.               | ≈ 9000 Bindungen  |
| Bindegeschwindigkeit, mx. kontinuierlich | 12 Bindungen/min  |
| Arbeitsbedingungen                       | +4°C bis +40°C  |

### ALLGEMEINE SICHERHEITSWARNUNGEN FÜR ELEKTROWERKZEUGE



**WARNUNG!! Lesen Sie alle Sicherheitswarnungen, Anweisungen, Abbildungen und Spezifikationen, die mit diesem Elektrowerkzeug geliefert werden.**



**Versäumnisse bei der Einhaltung der Sicherheitshinweise und Anweisungen können elektrischen Schlag, Brand und/oder schwere Verletzungen verursachen. Bewahren Sie alle Sicherheitshinweise und Anweisungen für die Zukunft auf.**

Der nachfolgend verwendete Begriff „Elektrowerkzeug“ bezieht sich auf netzbetriebene Elektrowerkzeuge (mit Netzkabel) und auf akkubetriebene Elektrowerkzeuge (ohne Netzkabel).

- 1) **ARBEITSPLATZSICHERHEIT**
  - a) **Unordnung und unbeleuchtete** Arbeitsbereiche können zu Unfällen führen.
  - b) **Arbeiten Sie mit dem Gerät nicht in explosionsgefährdeter Umgebung, in der sich brennbare Flüssigkeiten, Gase oder Stäube befinden.** Elektrowerkzeuge erzeugen Funken, die den Staub oder die Dämpfe entzünden können.
  - c) **Halten Sie Kinder, Besucher und andere Personen während der Benutzung des Elektrowerkzeugs fern.** Bei Ablenkung können Sie die Kontrolle über das Gerät verlieren.
- 2) **ELEKTRISCHE SICHERHEIT**
  - a) **Der Netzstecker des Gerätes muss in die Netzsteckdose passen. Der Netzstecker darf in keiner Weise verändert werden. Verwenden Sie keine Adapterstecker gemeinsam mit schutzgeerdeten Geräten. Unveränderte Netz-**

- tecker und passende Netzsteckdosen verringern das Risiko eines elektrischen Schlages.
- b) **Vermeiden Sie Körperkontakt mit geerdeten Oberflächen, wie von Rohren, Heizungen, Herden und Kühlschränken.** Es besteht ein erhöhtes Risiko durch elektrischen Schlag, wenn Ihr Körper geerdet ist.
- c) **Halten Sie Elektrogeräte von Regen oder Nässe fern.** Das Eindringen von Wasser in ein Elektrogerät erhöht das Risiko eines elektrischen Schlages.
- d) **Zweckentfremden Sie das Kabel nicht. Verwenden Sie das Kabel niemals, um das Gerät zu tragen, zu ziehen oder um den Netzstecker aus der Netzsteckdose zu ziehen.** Halten Sie das Kabel fern von Hitze, Öl, scharfen Kanten oder sich bewegenden Geräteteilen. Beschädigte oder verwickelte Kabel erhöhen das Risiko eines elektrischen Schlages.
- e) **Wenn Sie mit einem Elektrowerkzeug im Freien arbeiten, verwenden Sie nur Verlängerungskabel, die auch für den Außenbereich zugelassen sind.** Die Anwendung eines für den Außenbereich geeigneten Verlängerungskabels verringert das Risiko eines elektrischen Schlages.
- f) **Wenn der Betrieb eines Elektrowerkzeugs an einem feuchten Ort unvermeidbar ist, verwenden Sie eine Fehlerstromschutzrichtung (RCD).** Die Verwendung eines FI-Schutzschalters verringert das Risiko eines Stromschlags.
- 3) SICHERHEIT VON PERSONEN**
- a) **Seien Sie aufmerksam, achten Sie darauf, was Sie tun, und verwenden Sie ein Elektrowerkzeug mit Vernunft. Benutzen Sie das Gerät nicht, wenn Sie müde sind oder unter dem Einfluss von Drogen, Alkohol oder Medikamenten stehen.** Ein Moment der Unachtsamkeit beim Gebrauch des Gerätes kann zu ernsthaften Verletzungen führen.
- b) **Verwenden Sie persönliche Schutzausrüstungen. Tragen Sie immer einen Augenschutz.** Das Tragen persönlicher Schutzausrüstung, wie Staubmaske, rutschfester Sicherheitsschuhe, Schutzhelm oder Gehörschutz, je nach Art und Einsatz des Elektrowerkzeuges, verringert das Risiko von Verletzungen.
- c) **Vermeiden Sie eine unbeabsichtigte Inbetriebnahme. Stellen Sie sicher, dass das Gerät ausgeschaltet ist, bevor Sie es an eine Stromquelle und/oder einen Batteriepack anschließen, es aufheben oder herumtragen.** Wenn Sie beim Tragen des Elektrowerkzeuges den Finger am Schalter haben oder das Gerät einschaltet an die Stromversorgung anschließen, kann dies zu Unfällen führen.
- d) **Entfernen Sie Einstellwerkzeuge oder Schraubenschlüssel, bevor Sie das Gerät einschalten.** Ein Werkzeug oder Schlüssel, der sich in einem drehenden Geräteteil befindet, kann zu Verletzungen führen.
- e) **Das Gerät nicht zu weit vorstrecken. Sorgen Sie für einen sicheren Stand und halten Sie jederzeit das Gleichgewicht.** Dadurch können Sie das Gerät in unerwarteten Situationen besser kontrollieren.
- f) **Geeignete Kleidung tragen. Tragen Sie keine weite Kleidung oder Schmuck. Halten Sie Haare, Kleidung und Handschuhe fern von sich bewegenden Teilen.** Lockere Kleidung, Schmuck oder lange Haare können von sich bewegenden Teilen erfasst werden.
- g) **Wenn Staubabsaug- und auffangeinrichtungen montiert werden können, vergewissern Sie sich, dass diese angeschlossen sind und richtig verwendet werden.** Die Verwendung einer Staubabsaugung verringert Gefährdungen durch Staub.
- h) **Auch wenn Sie ein Werkzeug schon oft verwendet haben, sollten Sie nicht unachtsam werden und unbedingt die Prinzipien der Werkzeugsicherheit einhalten.** Eine unachtsame Handlung kann innerhalb von Sekundenbruchteilen schwere Verletzungen verursachen.
- 4) SORGFÄLTIGER UMGANG BEIM GEBRAUCH VON ELEKTROWERKZEUGEN**
- a) **Überlasten Sie das Gerät nicht. Verwenden Sie für Ihre Arbeit das dafür bestimmte Elektrowerkzeug.** Mit dem passenden Elektrowerkzeug arbeiten Sie besser und sicherer im angegebenen Leistungsbereich.
- b) **Benutzen Sie kein Elektrowerkzeug, dessen Schalter defekt ist.** Ein Elektrowerkzeug, das sich nicht mehr ein- oder ausschalten lässt, ist gefährlich und muss repariert werden.
- c) **Ziehen Sie den Netzstecker aus der Netzsteckdose und/ oder nehmen Sie den Batteriepack aus dem Gerät, bevor Sie Geräteeinstellungen vornehmen, Zubehörteile wechseln oder das Gerät weglegen.** Solche vorbeugenden Sicherheitsmaßnahmen reduzieren das Risiko eines unbeabsichtigten Einschaltens.
- d) **Bewahren Sie unbenutzte Elektrowerkzeuge außerhalb der Reichweite von Kindern auf. Lassen Sie Personen das Gerät nicht benutzen, die mit diesem nicht vertraut sind oder diese Anweisungen nicht gelesen haben.** Elektrowerkzeuge sind gefährlich, wenn Sie von unerfahrenen Personen benutzt werden.
- e) **Warten Sie Ihre Elektrowerkzeuge und das Zubehör. Stellen Sie sicher, dass sich alle beweglichen und festen Teile in der richtigen Position befinden und dass keine Teile gebrochen sind oder sonstige Fehler vorliegen, die einen Betrieb des Werkzeugs beeinträchtigen. Lassen Sie beschädigte Teile vor dem Einsatz des Geräts reparieren.** Viele Unfälle haben ihre Ursache in schlecht gewarteten Elektrowerkzeugen.
- f) **Halten Sie Schneidwerkzeuge scharf und sauber.** Sorgfältig gepflegte Schneidwerkzeuge mit scharfen Schneidkanten verklemmen sich weniger und sind leichter zu führen.
- g) **Verwenden Sie Elektrowerkzeug, Zubehör, Einsatzwerkzeuge usw. entsprechend diesen Anweisungen. Berücksichtigen Sie dabei die Arbeitsbedingungen und die auszuführende Tätigkeit.** Der Gebrauch von Elektrowerkzeugen für andere als die vorgesehenen Anwendungen

kann zu gefährlichen Situationen führen.

h) **Halten Sie Griffe und Greifflächen trocken, sauber und frei von Öl und Fett.** Rutschige Griffe und Greifflächen ermöglichen keine sichere Handhabung und Kontrolle des Werkzeugs in unerwarteten Situationen.

## 5) Verwendung und Behandlung des Akkuwerkzeugs

a) **Laden Sie die Akkus nur mit Ladegeräten auf, die vom Hersteller empfohlen werden.** Durch ein Ladegerät, das für eine bestimmte Art von Akku geeignet ist, besteht Brandgefahr, wenn es mit anderen Akkus verwendet wird.

b) **Verwenden Sie nur die dafür vorgesehenen Akkus in den Elektrowerkzeugen.** Der Gebrauch von anderen Akkus kann zu Verletzungen und Brandgefahr führen.

c) **Halten Sie den nicht benutzten Akku fern von Büroklammern, Münzen, Schlüsseln, Nägeln, Schrauben oder anderen kleinen Metallgegenständen, die eine Überbrückung der Kontakte verursachen könnten.** Ein Kurzschluss zwischen den Akkukontakten kann Verbrennungen oder Feuer zur Folge haben.

d) **Bei falscher Anwendung kann Flüssigkeit aus dem Akku austreten.** Vermeiden Sie den Kontakt damit. Bei zufälligem Kontakt mit Wasser abspülen. Wenn die Flüssigkeit in die Augen kommt, nehmen Sie zusätzliche ärztliche Hilfe in Anspruch. Austretende Akkuflüssigkeit kann zu Hautreizungen oder Verbrennungen führen.

e) **Benutzen Sie keinen beschädigten oder veränderten Akku.** Beschädigte oder veränderte Akkus können sich unvorhersehbar verhalten und zu Feuer, Explosion oder Verletzungsgefahr führen.

f) **Setzen Sie einen Akku keinem Feuer oder zu hohen Temperaturen aus.** Feuer oder Temperaturen über 130°C können eine Explosion hervorrufen.

g) **Befolgen Sie alle Anweisungen zum Laden und laden Sie den Akku oder das Akkuwerkzeug niemals außerhalb des in der Betriebsanleitung angegebenen Temperaturbereichs.** Falsches Laden oder Laden außerhalb des zugelassenen Temperaturbereichs kann den Akku zerstören und die Brandgefahr erhöhen.

## 6) SERVICE

a) **Lassen Sie Ihr Gerät nur von qualifiziertem Fachpersonal und nur mit Original-Ersatzteilen reparieren.** Damit wird sichergestellt, dass die Sicherheit des Geräts erhalten bleibt.

b) **Warten Sie niemals beschädigte Akkus.** Sämtliche Wartung von Akkus sollte nur durch den Hersteller oder bevollmächtigte Kundendienststellen erfolgen.

## BINDEGERÄT SICHERHEITSWARNUNGEN



### ! WARNUNG!

1. Entfernen Sie die vordere Abdeckung nicht während des Betriebs. Um Verletzungen zu vermeiden, halten Sie den Bindehaken von allen Körperteilen fern.

2. Bewegen Sie das Werkzeug nach Abschluss des Bindevorgangs vorsichtig in die nächste Betriebsposition. Ein sorgsamer Umgang mit dem Werkzeug schützt den Bediener und verlängert die Lebensdauer des Bindegeräts.

3. Verwenden Sie das Bindegerät nicht bei Regen, da das Wasser im Inneren des Geräts Schäden hervorrufen kann.

4. Das Produkt ist für das Binden von Weinreben und anderen Zweigen innerhalb des effektiven Bereichs von maximal 25 mm Durchmesser ausgelegt. Ein Betrieb außerhalb dieses Bereichs kann das Gerät beschädigen oder seine Lebensdauer verkürzen.

5. Schalten Sie die Stromversorgung aus, bevor Sie versuchen, den feststehenden Zuführhaken oder Bindedraht zu entfernen.

6. Stellen Sie sicher, dass genügend Platz für die Bewegung des Zuführhakens vorhanden ist. Wenn es zu Störungen durch Bewegung kommt, kann das Bindeergebnis schlecht sein.

7. Verwenden Sie das Gerät nicht in der Nähe von brennbaren Flüssigkeiten oder Gasen. Bei einem Kurzschluss kann es zu einer Explosion oder einem Brand kommen.

8. Das Zuführungssystem muss regelmäßig überprüft und gereinigt werden. Wenn sich Fremdkörper in der Zuführung ansammeln, beeinträchtigt dies den Bindevorgang und erhöht die Belastung des Geräts. Die Produktgarantie deckt keine Schäden ab, die durch falsche Wartung verursacht wurden.

9. Versuchen Sie nicht, das Gerät selbst zu reparieren, wenn Sie nicht geschult sind. Reparaturen, die nicht in diesem Handbuch aufgeführt sind, dürfen nur von unserem Service-Center durchgeführt werden.

## GERÄUSCHEMISSION/VIBRATION

■ A-bewerteter Schalldruckpegel  $L_{pA} = 70,5 \text{ dB(A)}$ , Messunsicherheit  $K = 3 \text{ dB(A)}$ . A-bewerteter Schalleistungspegel  $L_{wA} = 81,5 \text{ dB(A)}$ , Messunsicherheit  $K = 3 \text{ dB(A)}$ . Empfehlung für den Bediener, einen Gehörschutz zu tragen.

■ Vibrationsgesamtwert  $= 1,125 \text{ m/s}^2$ , Unsicherheit  $K = 1,5 \text{ m/s}^2$ . Der angegebene Vibrationsgesamtwert wurde nach einem Standardprüfverfahren gemessen und kann für den Vergleich eines Werkzeugs mit einem anderen verwendet werden. Der angegebene Vibrationsgesamtwert kann auch für eine vorläufige Bewertung der Exposition verwendet werden.



### ! WARNUNG!

Die Schwingungsemission während der tatsächlichen Benutzung des Werkzeugs kann je nach der Benutzungsweise des Werkzeugs vom angegebenen Emissionswert abweichen.

Es müssen Sicherheitsmaßnahmen zum Schutz des Benutzers festgelegt werden, die auf einer Abschätzung des Gefährdungsgrads unter den tatsächlichen Einsatzbedingungen beruhen (unter Berücksichtigung aller Phasen des Betriebszyklus, wie z. B. der Zeiten, in denen das Werkzeug ausgeschaltet ist und in denen es im Leerlauf läuft, zusätzlich zur Betriebszeit).

## TUTORIALS

Scannen Sie den QR-Code auf der Vorderseite des Handbuchs oder unter [www.rapid.com](http://www.rapid.com) und erhalten Sie die Möglichkeit einer 2-Jahres-Garantieverlängerung sowie Zugang zu unseren Anleitungsvideos:

- Wie die Spulen gewechselt werden
- Wie mit dem Werkzeug gearbeitet wird
- Wie Verschleißteile ausgetauscht werden

## FUNKTIONSWEISE UND NUTZUNG

### EINSCHALTEN DES BINDEGERÄTS

Vergewissern Sie sich, dass das Werkzeug in einwandfreiem Zustand ist.

Stecken Sie einen aufgeladenen Akku in den Stromanschluss des Bindegerätes

Drücken Sie die Einschalttaste, das Display leuchtet auf und Sie hören einen langen, 3 kurze und einen langen Piepton.

### BINDEBETRIEB

Platzieren Sie den Zweig im Bindehaken

Betätigen Sie den Auslösehebel für eine Bindung


Lassen Sie den Auslösehebel los und entfernen Sie das Gerät von dem Zweig

Wiederholen Sie den Vorgang für die nächste Bindung

### EINSETZEN EINER NEUEN SPULE MIT "SMART CUT"

#### **ACHTUNG!! BEFOLGEN SIE DIESE 8 SCHRITTE, UM DAS GERÄT EFFEKTIV NEU ZU LADEN**


1. Beenden Sie die Bindevorgänge, wenn sich nur noch 4 -5 Runden Bindeband auf der Spule befinden, siehe Abbildung G1
2. Halten Sie den Auslösehebel 4-5 Sekunden lang gedrückt, bis der Führungshaken in der aktiven Position einrastet, und lassen Sie ihn dann los. Smart Cut ist aktiviert, siehe Abbildung G2  
Schalten Sie das Gerät nicht aus und drücken Sie den Auslösehebel noch nicht  
Äußere Spulenabdeckung entfernen
3. Benutzte Spule mit restlichem Draht und Bindung aus Führungshaken entfernen, siehe Bild G3
4. Drücken Sie nun einmal den Auslösehebel, um Smart Cut Schnitt zu deaktivieren und die Bindung aus dem Führungshaken zu entfernen, siehe Abbildung G4.
5. Setzen Sie die neue Spule direkt in das Magazin ein. Entfernen Sie "Endbefestigungsband"; siehe Abbildung G5.
6. Führen Sie ein glattes Drahtende bis zum spürbaren Widerstand in das Gerät ein und drücken Sie den Auslösehebel, um den eingeführten Draht vorzuschieben, siehe Abbildung G6

 ! Achten Sie darauf, dass der Draht von oben und nicht von unten eingeführt wird, und dass er nicht verdreht, verknottet oder geknickt ist.

7. Entfernen Sie das Hauptbefestigungsklebeband, siehe Abbildung G7
8. Bringen Sie die Abdeckung des Rollenhalters wieder an und drücken Sie den Auslösehebel, bis Sie eine akzeptable Bindung erzielen, siehe Abbildung G8.

## EINSTELLEN DER VERWINDUNGSANZAHL

Um die Knoten optimal auf die Art der Zweige/Ruten abzustimmen, die Sie binden, können Sie die Anzahl der Verwindungen anpassen, indem Sie "Twist Level" auswählen.

| Verwindungsauswahl   |   |   |   |   |
|--|---|---|---|---|
| Verwindungslevel  | 1 | 2 | 3 | 4 |
| Anzahl der Verwindungen  | 2 | 3 | 4 | 5 |

## SIGNALTÖNE BEI STÖRUNGEN

| Summertone Häufigkeit | Störung                   | Abhilfemaßnahme                              |
|-----------------------|---------------------------|--|
| Einfacher Ton         | Ausfall der Akkukapazität | Prüfen, ob die Batteriekapazität niedrig ist |
| Mehrere Töne          | Interner Werkzeugfehler   | Werkzeug braucht qualifizierten Service      |

## VERWENDUNG UND PFLEGE DES AKKUS

### **ACHTUNG!!**

1. Verwenden Sie nur das mit dem Gerät gelieferte Ladegerät. Die Verwendung anderer Ladegeräte kann zu Bränden führen.
2. Verwenden, laden oder lagern Sie den Akku nur innerhalb des angegebenen Temperaturbereichs.
3. Temperaturen unter +4 °C können die Akkukapazität beeinträchtigen und die Anzahl der Ladezyklen verringern.
4. Schließen Sie den Akku nicht kurz und halten Sie leitende Gegenstände vom Akku fern, wenn er nicht benutzt wird.
5. Nehmen Sie den Akku nicht auseinander.
6. Verwenden Sie den Akku nicht in der Nähe einer Wärmequelle.
7. Legen Sie den Akku nicht ins Feuer oder ins Wasser.
8. Beschädigen Sie den Akku nicht.
9. Verwenden Sie keinen Akku, der beschädigt, verformt oder korrodiert ist.
10. Führen Sie keine Löt- oder Schweißarbeiten am Akku durch.
11. Verwenden Sie den Akku nur für das vorgesehene Gerät.
12. Legen Sie den Akku nicht in den Mikrowellenofen.
13. Verwenden Sie keinen Akku, der ausläuft.
14. Bewahren Sie den Akku außerhalb der Reichweite von KINDERN auf.
15. Wenn Sie mit einem auslaufenden Akku in Berührung kommen, waschen Sie sich sofort mit klarem Wasser.

### LADEN DES AKKUS

Schließen Sie den Akku an das Ladegerät an und stecken Sie den Stecker des Ladegerätes in die Steckdose. Die LED-Anzeige am Ladegerät leuchtet während des Ladevorgangs ROT und leuchtet GRÜN, wenn der Akku vollständig geladen ist, siehe Abbildung E2.

### **ACHTUNG!!**

#### LADEN DES AKKUS

1. Während des Ladevorgangs ist es normal, dass das Ladegerät und der Akku warm sind.

- Laden Sie keine beschädigten Akkus und zerlegen Sie weder das Ladegerät noch die Akkus.
- Laden Sie den Akku nur innerhalb des angegebenen Temperaturbereichs auf.
- Legen Sie den Akku nicht in die Nähe von Wärmequellen mit hoher Temperatur. Der Akku kann bei Feuer oder längerer Einwirkung von Wärmequellen mit hoher Temperatur explodieren.
- Laden Sie den Akku nicht im Freien oder in einer feuchten Umgebung auf.

#### LAGERUNG DES AKKUS

- Um eine optimale Lagerung des Akkus zu gewährleisten, halten Sie sich an den angegebenen Temperaturbereich.
- Wenn das Gerät längere Zeit nicht benutzt wird, nehmen Sie den Akku heraus und laden Sie ihn vor der Lagerung auf.
- Es wird empfohlen, den Akku und das Ladegerät während der Lagerung im Werkzeugkasten aufzubewahren.
- Der Akku sollte in einer trockenen Umgebung und nicht in der Nähe von brennbaren Stoffen gelagert werden.

### VERWENDUNG UND PFLEGE DES LADEGERÄTS



#### ACHTUNG!!

Verwenden Sie das Original-Ladegerät, um die Gerätesicherheit zu gewährleisten.

Verwenden Sie nur ein Ladegerät in gutem Zustand und versuchen Sie niemals, ein defektes Ladegerät zu verwenden.

Vergewissern Sie sich, dass die Versorgungsspannung mit der Nennspannung auf dem Typenschild des Ladegeräts übereinstimmt.

Trennen Sie das Ladegerät vom Stromnetz, wenn Sie es nicht benutzen.

Verwenden Sie das Ladegerät nicht im Freien oder in feuchter Umgebung. Das Eindringen von Schmutz oder Wasser erhöht die Gefahr eines Stromschlags. der Stromversorgung, wenn es nicht benutzt wird.

Das Ladegerät darf nur zum Laden des Originalakkus verwendet werden, andernfalls kann es zu Verletzungen und Bränden kommen.

Achten Sie darauf, dass das Ladegerät nicht beschädigt wird. Ein beschädigtes Ladegerät kann das Risiko eines Stromschlags erhöhen.

Verwenden Sie Ladegeräte nicht auf brennbaren Oberflächen (z. B. Papier, Textilien)

Wenn das Netzkabel des Ladegeräts beschädigt ist, muss es von qualifiziertem Personal ausgetauscht werden.

### WARTUNG



#### WARNUNG!!

#### ALLGEMEINE REINIGUNG NACH BEENDIGUNG JEDER SPULE

Das Werkzeug muss mit einem feuchten Tuch abgewischt werden.

Benutzen Sie einen Pinsel oder ähnliches, um Fremdkörper in der Drahtführung, dem Verwindungsrad und

der Zuführung zu entfernen.

! Verwenden Sie keine Reinigungsmittel, da dies zu dauerhaften Schäden am Gerät führen kann.

#### ÖLEN UND SCHMIEREN NACH JEDEM ARBEITSTAG

Verwenden Sie gutes Mehrbereichsöl, zum Beispiel 3-IN-ONE oder 15W-40. Schmieren Sie jedes bewegliche Gelenk und das Messer, siehe Abbildung A13.

#### AUSTAUSCH DER ZUFÜHRVORRICHTUNG

Wenn das Vorschubrad den Draht nicht mehr vorschiebt, wird ein Austausch empfohlen. Artikelnummer des Sets: 5001602

#### AUSTAUSCH DER WINDUNGS- UND DREHVORRICHTUNG

Falls sich das Windungsrad nicht mehr dreht oder schlechte Windungen erzeugt, wird ein Austausch empfohlen. Artikelnummer des Sets: 5001603

#### AUSTAUSCH DER BREMSVORRICHTUNG

Wenn der O-Ring zwischen der rotierenden Bremse und der festen Bremsnabe verschlissen ist, wird ein Austausch empfohlen.

#### ERSATZTEILLISTE

##### SET A: SCHNEIDEVORRICHTUNG

ART. NR. 5001601

| POSITION | BEZEICHNUNG          | ANZAHL |
|----------|----------------------|--------|
| 76.      | Feste Klinge         | 1      |
| 77.      | Klingenföhrungsblock | 1      |
| 81.      | Bewegliche Klinge    | 1      |

##### SET B: ZUFÜHRUNGSVORRICHTUNG

ART. NR. 5001602

| POSITION | BEZEICHNUNG    | ANZAHL |
|----------|----------------|--------|
| 80.      | Gummirad       | 3      |
| 64.      | Sicherungsring | 3      |

##### SET C: WINDUNGS- UND DREHVORRICHTUNG

ART. NR. 5001603

| POSITION | BEZEICHNUNG       | ANZAHL |
|----------|-------------------|--------|
| 61.      | Bündelrad         | 1      |
| 62.      | Sechskantschraube | 1      |
| 68.      | Haupthaken        | 1      |
| 69.      | Stift             | 1      |
| 54.      | Föhrungsblock     | 1      |

##### SET D: BREMSVORRICHTUNG

ART. NR. 5001604

| POSITION | BEZEICHNUNG   | ANZAHL |
|----------|---------------|--------|
| 5.       | Kopfschraube  | 1      |
| 6.       | Flachdichtung | 1      |
| 8.       | Ring          | 1      |
| 11.      | Band          | 1      |

##### SET E: SCHERE

ART. NR. 5001605

#### WEITERE SERVICE INFORMATIONEN

Besuchen Sie [www.rapid.com](http://www.rapid.com)

### GARANTIE

#### I. GARANTIEZEIT



Für dieses RAPID-Produkt gilt eine Garantie von drei (3) Jahren im Rahmen der Herstellergarantie (oder kommerziellen Garantie) ab dem Lieferdatum an den Endbenutzer (Verschleißteile, Zubehör, Akkus und Ladegeräte ausgenommen). Für Akkus und Ladegeräte gilt eine Garantie von zwei (2) Jahren. Um die Werkzeuggarantie auf fünf (5) Jahre zu verlängern, registrieren Sie sich bitte online auf [www.rapid.com](http://www.rapid.com) oder scannen Sie den QR-Code. Halten Sie Ihr Werkzeug und den Kaufbeleg bereit.

## II. GARANTIEBEDINGUNGEN

Die Herstellergarantie kann nicht in Anspruch genommen werden, wenn das Produkt nicht bestimmungsgemäß verwendet oder unter anderen als den vorgesehenen Bedingungen betrieben wird, insbesondere in Bezug auf die in dieser Gebrauchsanweisung genannten Punkte. Die Garantie gilt auch nicht im Falle von Stößen, Stürzen, Fahrlässigkeit, mangelnder Aufsicht und/oder Wartung. Jegliche Änderungen, Umbauten oder Modifikationen, die der Endverbraucher an den Produkten vornimmt, machen die Garantie hinfällig. Verschleißteile, Zubehör und/oder Verbrauchsmaterialien fallen nicht unter die Garantie.

Werden als Zubehör, Verschleißteile oder Verbrauchsmaterial betrachtet:

der Transportkoffer und die Verpackung, die Drahtspulen und die Ersatzteilsätze (Set A bis Set E), die in diesem Benutzerhandbuch enthalten sind.

## III. ANSPRUCH AUF GEWÄHRLEISTUNG

Die Garantiezeit beginnt mit dem Datum der Lieferung an den Endverbraucher.

Im Falle eines Garantieanspruchs muss das Produkt

in der Originalverpackung (einschließlich Akkus und Ladegerät) zusammen mit einer Kopie der datierten Originalquittung zurückgeschickt werden.

## AKKU-ENTSORGUNG

Verbrauchte Batterien müssen aus dem Gerät entfernt und sicher entsorgt werden.

Akkus dürfen nicht mit dem üblichen Hausmüll entsorgt werden, sie können giftige Schwermetalle enthalten und unterliegen den Sondermüllbestimmungen.

Entsorgen Sie deshalb verbrauchte Akkus bei einer örtlichen Sammelstelle.



2012/19/EU

### DE Elektro- und Elektronik-Altgeräte

Elektro- und Elektronikgeräte enthalten Materialien und Stoffe, die schädliche Auswirkungen auf die menschliche Gesundheit und die Umwelt haben können. Dieses Symbol auf dem Gerät oder auf der Verpackung zeigt an, dass das Produkt nicht als unsortierter Hausmüll behandelt werden darf, sondern separat entsorgt werden muss! Entsorgen Sie das Gerät an einer Sammelstelle für das Recycling und die Entsorgung von elektrischen und elektronischen Geräten innerhalb der EU und in anderen europäischen Ländern, die über Systeme zur getrennten Sammlung von Elektro- und Elektronikgeräten verfügen. Mit der korrekten Entsorgung des Geräts helfen Sie, mögliche Gefahren für die Umwelt und die Gesundheit zu vermeiden, die durch eine unsachgemäße Behandlung von Altgeräten verursacht werden können. Die Wiederverwertung von Materialien trägt zur Erhaltung der natürlichen Ressourcen bei.

# BHX50 LIEUR ELECTRIQUE SUR BATTERIE

## Traduction des instructions originales

FR

### DESCRIPTION DES PIÈCES DE L'OUTIL

- A. Lieuse (machine à lier)
- A1. Crochet d'attache
- A2. Capot guide lien
- A3. Torsadeur
- A4. Lumière LED
- A5. Gâchette
- A6. Magasin à bobine
- A7. Bobine
- A8. Sangle élastique
- A9. Sélecteur de torsion - moins
- A10. Écran d'affichage
- A11. Sélecteur de torsion- plus
- A12. Bouton d'alimentation
- A13. Lubrification
- B. Batterie au lithium
- B1. Bouton de déverrouillage de la batterie
- B2. Connecteur d'entrée de batterie
- C. Chargeur de batterie
- C1. Connecteur d'entrée d'alimentation
- C2. Indicateur lumineux LED du chargeur

- C3. Prise de charge
- D. Ciseaux
- E2. Batterie en charge
- F. Symboles
- F1. Veuillez lire attentivement tous les avertissements et instructions de sécurité.
- F2. La batterie ne peut être chargée qu'à l'intérieur
- F3. Double isolation, mise à la terre non requise.
- F4. Chargeur de transformateur à sécurité intégrée.
- F5. La charge de la batterie sera automatiquement coupée en cas de surchauffe.
- F6. N'utilisez pas et n'exposez pas la lieuse dans des conditions pluvieuses.
- F7. Les équipements électriques ne peuvent pas être jetés avec les ordures ménagères.
- F8. Ne touchez jamais des objets chargés avec des ciseaux électriques.
- F9. Portez des protections pour les yeux et les oreilles.
- F10. Portez des gants de protection.
- F11. Symbole d'avertissement, avec des informations sur les blessures corporelles

## INTRODUCTION

Cet outil est destiné au palissage des sarments dans les vignes d'un diamètre maximum de 25 mm.

La lieuse doit être utilisée uniquement aux fins prévues.

Si cet outil est utilisé à d'autres fins non approuvées, il peut endommager l'outil et blesser l'utilisateur.

Cet outil ne doit être utilisé que par des adultes ou par des jeunes sous la surveillance d'adultes.

L'opérateur ou l'utilisateur assume l'entière responsabilité des dommages causés à autrui ou de tout dommage matériel causé par tout accident survenu lors de l'utilisation.

Le fabricant décline toute responsabilité en cas de dommages causés par une utilisation anormale ou inappropriée.

## SPÉCIFICATIONS TECHNIQUES

|   |   |
|---|---|
| Lieuse à batterie, numéro de modèle               | BHX50   |
| Type de rouleau                                   | Lien papier ou lien plastique   |
| Capacité du magasin, max                          | 100 m   |
| Capacité de liage maximale                        | 25 mm   |
| Dimensions de l'outil H x l x L                   | 240 x 75 x 310 mm   |
| Poids   | 1,065 kg (avec batterie)  |
| Modèle de batterie, type, tension                 | Modèle amovible KH-B1A16BX, LI-Ion, 14,4 V  |
| Capacité de la batterie, puissance, puissance max | 2500mAh, 100W, 500W   |
| Conditions de charge de la batterie               | +4°C à +40°C  |
| Conditions de stockage de la batterie             | -20°C à +50°C   |
| Chargeur de batterie                              | 100-240V AC, 50-60Hz, entrée 0.5A 16.8V D.C, 1.42A, bornes pour deux batteries, charge séquentielle |
| Temps de charge                                   | 120 minutes/chaque batterie   |
| Liens par charge, max                             | ≈ 9000 liens  |
| Vitesse de liage, max en continu                  | 12 liens/min  |
| Conditions de fonctionnement                      | +4°C à +40°C  |

## CONSIGNES DE SECURITE GENERALES RELATIVES AUX OUTILS ELECTRIQUES



**ATTENTION!!** Lisez tous les avertissements de sécurité, instructions, illustrations et spécifications fournis avec cet outil électrique.

**Ne pas appliquer toutes les instructions énumérées ci-dessous peut conduire à une décharge électrique, à un incendie et/ ou à des blessures graves.**

**Conservez tous les avertissements et instructions pour toute référence ultérieure.**

La notion d'«outil électrique» dans les avertissements se rapporte à des outils électriques raccordés au

secteur (avec câble de raccordement) et à des outils électriques à batterie (sans câble de raccordement).

### 1) SECURITE DE LA ZONE DE TRAVAIL

- Maintenez le lieu de travail propre et bien éclairé.** Les établis encombrés et les zones mal éclairées augmentent le risque d'accidents.
- N'utilisez pas d'outils électriques dans un environnement présentant des risques d'explosion et où se trouvent des liquides, des gaz ou des poussières inflammables.** Les outils électroportatifs génèrent des étincelles risquant d'enflammer les poussières ou les vapeurs.
- Tenez les enfants et autres personnes éloignés durant l'utilisation de l'outil électroportatif.** En cas d'inattention vous risquez de perdre le contrôle de l'appareil.

### 2) SECURITE ELECTRIQUE

- La fiche secteur de l'outil électroportatif doit correspondre à la prise de courant. Ne modifiez la fiche en aucun cas. N'utilisez pas d'adaptateurs avec des appareils électriques avec mise à la terre.** Les fiches non modifiées et les prises de courant appropriées réduisent le risque de choc électrique.
- Évitez le contact physique avec des surfaces mises à la terre telles que des tuyaux, des radiateurs, des fours et des réfrigérateurs.** Il y a un risque élevé de choc électrique si votre corps est relié à la terre.
- N'exposez pas l'outil électroportatif à la pluie ou à l'humidité.** La pénétration d'eau dans un outil électroportatif augmente le risque de choc électrique.
- Ne maltraitez pas le cordon. N'utilisez jamais le cordon pour porter, tirer ou débrancher l'outil électroportatif.** Maintenez le câble éloigné des sources de chaleur, des parties grasses, des bords tranchants ou des parties de l'appareil en mouvement. Un cordon endommagé ou torsadé augmente le risque de choc électrique.
- Si vous utilisez l'outil électroportatif à l'extérieur, utilisez une rallonge autorisée homologuée pour les applications extérieures.** L'utilisation d'une rallonge électrique homologuée pour les applications extérieures réduit le risque d'un choc électrique.
- Si l'utilisation d'un outil électrique dans un endroit humide est inévitable, utilisez une alimentation protégée par un dispositif à courant résiduel (RCD).** L'utilisation d'un RCD réduit le risque de choc électrique.

### 3) SECURITE DES PERSONNES

- Restez vigilant, surveillez ce que vous faites et faites preuve de bon sens en utilisant l'outil électroportatif. N'utilisez pas l'appareil lorsque vous êtes fatigué ou après avoir consommé de l'alcool, des drogues ou avoir pris des médicaments.** Un moment d'inattention lors de l'utilisation de l'appareil peut entraîner de graves blessures.
- Portez des équipements de protection. Portez toujours des lunettes de protection.** Le port d'équipements de protection personnels tels que masque anti-poussières, chaussures de sécurité

antidérapantes, casque de protection ou protection auditive suivant le travail à effectuer, réduit le risque de blessures.

- c) **Évitez tout démarrage intempestif. Vérifiez que l'interrupteur est sur arrêt avant le branchement sur le secteur et/ou l'insertion de la batterie, la prise de l'appareil ou son transport.** Le transport d'outils électroportatifs avec votre doigt sur le commutateur ou leur mise sous tension avec le commutateur sur marche est source d'accidents.
- d) **Retirez toute clé ou outil de réglage avant de mettre un outil électroportatif en marche.** Une clé ou un outil restant attaché à une pièce en rotation de l'outil électroportatif peut entraîner une blessure.
- e) **Ne surestimez pas vos capacités. Veillez à garder toujours une position stable et équilibrée.** Ceci vous permet de mieux contrôler l'appareil dans des situations inattendues.
- f) **Portez des vêtements appropriés. Ne portez pas de vêtements amples ni de bijoux. Maintenez cheveux, vêtements et gants éloignés des parties de l'appareil en mouvement.** Des vêtements amples, des bijoux ou des cheveux longs peuvent être happés par des pièces en mouvement.
- g) **Si des dispositifs servant à aspirer ou à recueillir les poussières doivent être utilisés, vérifiez que ceux-ci soient effectivement raccordés et qu'ils sont correctement utilisés.** L'utilisation des collecteurs de poussière réduit les dangers dus aux poussières.
- h) **Ne laissez pas l'habitude acquise grâce à l'utilisation fréquente d'outils vous permettre de manquer de vigilance et d'ignorer les principes de sécurité des outils.** Une action imprudente peut provoquer des blessures graves en une fraction de seconde.

#### 4) UTILISATION ET EMPLOI SOIGNEUX DE L'OUTIL ELECTROPORTATIF

- a) **Ne surchargez pas l'appareil. Utilisez l'outil électroportatif approprié au travail à effectuer.** Avec l'outil électroportatif approprié, vous travaillerez mieux et avec plus de sécurité à la vitesse pour laquelle il est prévu.
- b) **N'utilisez pas un outil électroportatif dont l'interrupteur est défectueux.** Un outil électroportatif qui ne peut plus être commandé par son interrupteur est dangereux et doit être réparé.
- c) **Débranchez la fi che de la prise secteur et/ou la batterie de l'outil électroportatif avant d'effectuer des réglages, de changer les accessoires ou de le ranger.** Cette mesure de précaution réduit le risque de démarrage accidentel.
- d) **Rangez les outils électroportatifs non utilisés hors de portée des enfants et ne laissez pas des personnes ne connaissant pas les outils électroportatifs et ces instructions les utiliser.** Les outils électroportatifs sont dangereux lorsqu'ils sont utilisés par des personnes non initiées.
- e) **Entretenez les outils électriques et les accessoires. Vérifiez que les parties en**

**mouvement fonctionnent correctement et ne sont pas coincées, recherchez si des parties sont cassées et toute autre condition pouvant affecter le bon fonctionnement de l'outil électrique. Faites réparer un outil électrique endommagé avant de l'utiliser.** De nombreux accidents sont dus à des outils électriques mal entretenus.

- f) **Maintenez les outils de coupe aiguisés et propres.** Des outils soigneusement entretenus avec des bords tranchants bien aiguisés se coincent moins souvent et peuvent être guidés plus facilement.
  - g) **Utilisez l'outil électroportatif, les accessoires, les forets, etc. conformément à ces instructions en tenant compte des conditions de travail et du travail à effectuer.** L'utilisation des outils électroportatifs à d'autres fins que celles prévues peut créer des situations dangereuses.
  - h) **Garder les poignées et les surfaces de préhension sèches, propres et exemptes d'huile et de graisse.** Les poignées glissantes et les surfaces de préhension ne permettent pas de manipuler et de contrôler l'outil en toute sécurité dans des situations imprévues.
- #### 5) UTILISATION DES OUTILS FONCTIONNANT SUR BATTERIES ET PRÉCAUTIONS D'EMPLOI
- a) **Ne recharger qu'avec le chargeur spécifié par le fabricant.** Un chargeur qui est adapté à un type de bloc de batteries peut créer un risque de feu lorsqu'il est utilisé avec un autre type de bloc de batteries.
  - b) **N'utiliser les outils électriques qu'avec des blocs de batteries spécifiquement désignés.** L'utilisation de tout autre bloc de batteries peut créer un risque de blessure et de feu.
  - c) **Lorsqu'un bloc de batteries n'est pas utilisé, le maintenir à l'écart de tout autre objet métallique, par exemple trombones, pièces de monnaie, clés, clous, vis ou autres objets de petite taille qui peuvent donner lieu à une connexion d'une borne à une autre.** Le court-circuitage des bornes d'une batterie entre elles peut causer des brûlures ou un feu.
  - d) **Dans de mauvaises conditions, du liquide peut être éjecté de la batterie; éviter tout contact. En cas de contact accidentel, nettoyer à l'eau.** Si le liquide entre en contact avec les yeux, rechercher en plus une aide médicale. Le liquide éjecté des batteries peut causer des irritations ou des brûlures.
  - e) **Ne pas utiliser un bloc de batteries ou un outil fonctionnant sur batteries qui a été endommagé ou modifié.** Les batteries endommagées ou modifiées peuvent avoir un comportement imprévisible provoquant un feu, une explosion ou un risque de blessure.
  - f) **Ne pas exposer un bloc de batteries ou un outil fonctionnant sur batteries au feu ou à une température excessive.** Une exposition au feu ou à une température supérieure à 130°C peut provoquer une explosion.
  - g) **Suivre toutes les instructions de charge et ne pas charger le bloc de batteries ou l'outil**

**fonctionnant sur batteries hors de la plage de températures spécifiée dans les instructions.** Un chargement incorrect ou à des températures hors de la plage spécifiée de températures peut endommager la batterie et augmenter le risque de feu.

## 6) REVISIONS

- a) **Ne faites réparer votre outil électroportatif que par un réparateur qualifié et seulement avec des pièces de rechange d'origine.** Ceci permet d'assurer la sécurité de l'appareil.
- b) **Ne jamais effectuer d'opération d'entretien sur des blocs de batteries endommagés.** Il convient que l'entretien des blocs de batteries ne soit effectué que par le fabricant ou les fournisseurs de service autorisés.

## AVERTISSEMENTS DE SÉCURITÉ POUR LA LIEUSE



### ATTENTION!

1. Ne retirez pas le capot avant pendant le fonctionnement. Pour éviter les blessures corporelles, gardez la bouche de liage à l'avant éloignée de toute partie du corps.
2. Une fois l'opération de liage terminée, déplacez l'outil à la position de fonctionnement suivante avec précaution. Une manipulation soignée de l'outil protégera l'opérateur et prolongera la durée de vie de la machine à lier.
3. N'utilisez pas la lieuse sous la pluie, l'eau à l'intérieur de l'outil pourrait l'endommager.
4. Le produit est conçu pour attacher les vignes et autres branches dans la plage effective de 25 mm de diamètre maximum. Un fonctionnement en dehors de la plage peut endommager l'outil ou réduire sa durée de vie.
5. Coupez l'alimentation avant toute tentative de retrait du crochet d'alimentation ou du fil d'attache coincé.
6. Assurez-vous qu'il y a suffisamment d'espace pour que le crochet d'alimentation puisse bouger, s'il y a une interférence de mouvement, le résultat de liage peut être mauvais.
7. N'utilisez pas l'outil à proximité de liquides ou de gaz inflammables. Si un court-circuit se produit, cela peut provoquer une explosion ou un incendie.
8. Le système d'alimentation doit être vérifié et nettoyé fréquemment. Si des matériaux étrangers s'accumulent dans la voie d'alimentation, cela affectera le fonctionnement du liage et augmentera la charge sur l'équipement. La garantie du produit ne couvre pas les dommages causés par un mauvais entretien.
9. N'essayez pas de réparer l'outil vous-même, sauf si vous avez été formé. Les opérations de réparation non mentionnées dans ce manuel ne peuvent être effectuées que par le personnel de notre centre de service.

## ÉMISSION DE BRUIT/VIBRATION

- Niveau de pression acoustique pondéré A  $L_{pA}$  = 70,5 dB(A), incertitude  $K=3$  dB(A). Niveau de puissance acoustique pondéré A  $L_{wA}$  = 81,5

dB(A), incertitude  $K=3$  dB(A). Recommandation pour l'opérateur de porter une protection auditive.

- Niveau de pression acoustique pondéré A  $L_{pA}$  = 70,5 dB(A), incertitude  $K=3$  dB(A). Niveau de puissance acoustique pondéré A  $L_{wA}$  = 81,5 dB(A), incertitude  $K=3$  dB(A). Recommandation pour l'opérateur de porter une protection auditive.



### ATTENTION!

L'émission de vibrations lors de l'utilisation réelle de l'outil électrique peut différer de la valeur totale déclarée en fonction de la manière dont l'outil est utilisé.

Il est nécessaire d'identifier les mesures de sécurité pour protéger l'opérateur qui sont basées sur une estimation de l'exposition dans les conditions réelles d'utilisation (en tenant compte de toutes les parties du cycle de fonctionnement telles que les moments où l'outil est éteint et quand il tourne à vide en plus du temps de déclenchement).

## TUTORIELS

Scannez le QR code présent sur le recto de la notice ou rendez-vous sur [www.rapid.com](http://www.rapid.com) pour bénéficier d'une extension de la garantie de l'appareil à 5 ans et pour accéder à nos tutos vidéos :

- Comment charger les bobines;
- Comment prendre en main l'appareil;
- Comment remplacer les pièces d'usures.

## FONCTIONNEMENT ET UTILISATION

### ALLUMER LA LIEUSE

Assurez-vous que l'outil est en bon état de fonctionnement.

Insérez une batterie chargée dans le connecteur d'alimentation de la lieuse

Appuyez sur le bouton d'alimentation, l'écran s'allume et vous entendrez un long, 3 courts et un long bip.

### OPÉRATION DE LIAGE

Placez les branches à l'intérieur de la bouche de liage

Appuyez sur la gâchette pour faire un lien

Relâchez la gâchette et retirez l'outil de la branche


Répétez pour faire le lien suivant

### CHARGEZ LA NOUVELLE BOBINE À L'AIDE DE LA COUPE INTELLIGENTE




### ATTENTION!! SUIVEZ CES 8 ÉTAPES POUR RECHARGER EFFICACEMENT L'OUTIL

1. Arrêtez de nouer lorsque vous avez 4 à 5 tours de fil restant sur la bobine ; voir photo G1
2. Maintenez la gâchette pendant 4 à 5 secondes jusqu'à ce que le crochet de guidage se verrouille en position active, puis relâchez. La coupe intelligente est activée ; voir photo G2  
N'éteignez pas la machine et n'appuyez pas encore sur la gâchette  
N'éteignez pas la machine et n'appuyez pas encore sur la gâchette
3. Retirez la bobine usagée avec le fil restant et attachez-la dans la bouche du crochet ; voir photo G3
4. Maintenant, appuyez une fois sur la gâchette pour désactiver la coupe intelligente et retirez l'attache

- de la bouche du crochet ; voir photo G4
- Placez la nouvelle bobine directement dans le magasin. Retirez le "ruban de fixation d'extrémité" ; voir image G5.
  - Insérez le fil à plat dans la buse d'alimentation jusqu'à ce que le fil atteigne la butée et appuyez sur la gâchette pour alimenter le fil inséré ; voir photo G6
-  ! Assurez-vous que le fil est inséré par le haut et non par le bas. Assurez-vous également que le fil n'est pas tordu et noué.
- Retirez le ruban de fixation principal ; voir photo G7
  - Remettez le couvercle du porte-bobine et appuyez sur la gâchette jusqu'à ce que vous ayez une attache acceptable ; voir photo G9

### RÉGLAGE DU NIVEAU DE TORSION

Pour rendre les nœuds optimaux pour le type de branches que vous attachez, vous pouvez ajuster le nombre de torsions en sélectionnant "Niveau de torsade".

| Sélecteur de torsion   |   |   |   |   |
|--|---|---|---|---|
| Sélecteur de torsion  | 1 | 2 | 3 | 4 |
| Nombre de torsions   | 2 | 3 | 4 | 5 |

### INDICATIONS BIP DE DÉFAILLANCE

| Fréquence sonore du buzzer | Échec                               | Méthode de solution                                      |
|----------------------------|-------------------------------------|--|
| Bip unique                 | Échec de la capacité de la batterie | Vérifiez si la capacité de la batterie est faible        |
| Bip unique                 | Défaillance interne de l'outil      | L'outil a besoin d'un(e) service/maintenance qualifié(e) |

### UTILISATION ET ENTRETIEN DU BLOC-BATTERIE

#### MISE EN GARDE!!

- Utilisez uniquement le chargeur de batterie fourni avec l'outil, l'utilisation d'autres chargeurs peut provoquer un incendie.
- N'utilisez, chargez ou stockez la batterie que dans la plage de température spécifiée.
- En dessous de 4°C, la capacité de la batterie peut être affectée et réduire le nombre de cycles.
- Ne court-circuitez pas la batterie et veillez à éloigner les éléments conducteurs de la batterie lorsqu'elle n'est pas utilisée.
- Ne démontez pas la batterie.
- N'utilisez pas la batterie à proximité d'une source de chaleur.
- Ne placez pas la batterie dans le feu ou dans l'eau.
- N'endommagez pas la batterie.
- N'utilisez pas une batterie endommagée, déformée ou corrodée.
- N'effectuez pas de soudure ou de soudure sur la batterie.
- N'utilisez pas la batterie sur un équipement autre que l'outil désigné.
- Ne placez pas la batterie dans un four à micro-ondes.

- N'utilisez pas une batterie qui fuit.
- Gardez la batterie hors de portée des ENFANTS.
- Si vous entrez en contact avec une batterie qui fuit, lavez immédiatement à l'eau claire.

#### CHARGE DU BLOC-BATTERIE

Connectez la batterie au chargeur et connectez la fiche du chargeur à la prise de courant. L'indicateur LED sur le chargeur devient ROUGE pendant la charge et devient VERT lorsque la batterie est complètement chargée, voir l'image E2.

#### MISE EN GARDE!!

#### CHARGE DU BLOC-BATTERIE

- Pendant la charge, il est normal que le chargeur et la batterie soient chauds.
- Ne chargez pas une batterie endommagée et ne démontez pas le chargeur ou la batterie.
- Ne chargez la batterie que dans la plage de température spécifiée.
- Ne placez pas la batterie près d'une source de chaleur à haute température, la batterie peut exploser en cas d'incendie ou d'exposition prolongée à une source de chaleur à haute température.
- Ne chargez pas la batterie dans un environnement extérieur ou humide.

#### RANGEMENT DU BLOC-BATTERIE

- Pour garantir un bon stockage de la batterie, respectez la plage de température spécifiée.
- Si l'équipement n'est pas utilisé pendant une longue période, retirez et chargez la batterie avant de la ranger.
- Il est recommandé de placer la batterie et le chargeur dans la boîte à outils pendant le stockage.
- La batterie doit être stockée dans un environnement sec, à l'écart de tout produit inflammable.

### UTILISATION ET ENTRETIEN DU CHARGEUR

#### MISE EN GARDE !!

Utilisez le chargeur d'origine pour assurer la sécurité de l'équipement.

N'utilisez qu'un chargeur en bon état et n'essayez jamais d'utiliser un chargeur défectueux.

Assurez-vous que la tension d'alimentation correspond à la tension nominale indiquée sur la plaque signalétique du chargeur.

Débranchez le chargeur de l'alimentation électrique lorsqu'il n'est pas utilisé.

N'utilisez pas le chargeur dans un environnement extérieur ou humide. L'entrée de saleté ou d'eau augmentera le risque d'électrocution.

Le chargeur ne doit être utilisé que pour charger la batterie d'origine, sinon cela pourrait entraîner des blessures corporelles et provoquer un incendie.

Évitez tout dommage au chargeur, un chargeur endommagé peut augmenter le risque de choc électrique.

Ne pas utiliser les chargeurs sur des surfaces inflammables (par exemple papier, textiles)

Si le cordon d'alimentation du chargeur est endommagé, il doit être remplacé par du personnel qualifié.

## MAINTENANCE



### ATTENTION!!

Débrancher la batterie avant toute maintenance  
**NETTOYAGE GÉNÉRAL À LA FIN DE CHAQUE BOBINE**

L'outil doit être essuyé avec un chiffon humide.

Utilisez un pinceau ou similaire pour éliminer les corps étrangers dans le couloir de guidage, le tordsadeur et le plateau d'alimentation.

! N'utilisez aucun produit de nettoyage, sinon cela pourrait endommager l'outil de manière permanente.

**HUILE ET LUBRIFICATION APRÈS CHAQUE JOURNÉE DE TRAVAIL**

Utilisez une bonne huile multigrade, par exemple 3-IN-ONE ou 15W-40. Lubrifiez chaque joint mobile et la fraise, voir image A13.

**REPLACEMENT DU DISPOSITIF D'ALIMENTATION**

Lorsque la roue d'alimentation n'alimente plus le fil, un remplacement est recommandé. Numéro de pièce du kit : 5001602

**REPLACEMENT DU DISPOSITIF TWIST & HOOK**

Si le tordsadeur cesse de tourner ou si vous vous retrouvez avec de mauvaises torsions, un remplacement est recommandé. Numéro de pièce du kit : 5001603

**REPLACEMENT DU DISPOSITIF DE FREINAGE**

Lorsque le joint torique entre le frein rotatif et le moyeu de frein fixe est usé, un remplacement est recommandé. Numéro de pièce du kit : 5001604

**LISTE DES PIÈCES DÉTACHÉES**

**KIT A : DISPOSITIF DE COUPE N° ART. 5001601**

| POSITION | DESCRIPTION     | QUANTITÉ |
|----------|-----------------|----------|
| 76.      | Lame fixe       | 1        |
| 77.      | Bloc guide-lame | 1        |
| 81.      | Lame mobile     | 1        |

**KIT B : DISPOSITIF D'ALIMENTATION  
N° ART. 5001602**

| POSITION | DESCRIPTION        | QUANTITÉ |
|----------|--------------------|----------|
| 80.      | Roue en caoutchouc | 3        |
| 64.      | Circlip            | 3        |

**KIT C : DISPOSITIF TWIST & HOOK  
N° ART. 5001603**

| POSITION | DESCRIPTION       | QUANTITÉ |
|----------|-------------------|----------|
| 61.      | Roue de fauxceau  | 1        |
| 62.      | Vis hexagonale    | 1        |
| 68.      | Crochet principal | 1        |
| 69.      | Épingle           | 1        |
| 54.      | Bloc de guidage   | 1        |

**KIT D : DISPOSITIF DE FREINAGE  
N° ART. 5001604**

| POSITION | DESCRIPTION | QUANTITÉ |
|----------|-------------|----------|
| 5.       | Tête de vis | 1        |
| 6.       | Joint plat  | 1        |

|     |        |   |
|-----|--------|---|
| 8.  | Baquet | 1 |
| 11. | Bande  | 1 |

**KIT E : CISEAUX**

**N° ART. 5001605**

**INFORMATIONS SUPPLÉMENTAIRES SUR LE SERVICE**

Consultez [www.rapid.com](http://www.rapid.com)

## GARANTIE

### I. DURÉE DE LA GARANTIE

Le présent produit RAPID est garanti au titre de la garantie fabricant (ou garantie commerciale) à compter de la livraison au client utilisateur pour une durée de trois (3) ans (hors pièces d'usure, accessoires, batteries et chargeurs). Les batteries et chargeurs sont garantis deux (2) ans. Pour étendre la garantie de l'appareil à cinq (5) ans, enregistrez-vous en ligne sur [www.rapid.com](http://www.rapid.com) ou en scannant le QR code sur le recto de la notice. Munissez-vous de l'appareil et de votre facture d'achat.

### II. EXCLUSION DE GARANTIE

Sont exclus de la garantie fabricant les produits qui ont fait l'objet d'un usage anormal, ou ont été employés dans des conditions et à des fins différentes de celles pour lesquelles ils ont été fabriqués, en particulier en cas de non-respect des conditions prescrites dans la présente notice d'utilisation. Elle ne s'applique pas non plus en cas de choc, chute, négligence, défaut de surveillance ou d'entretien. Sont également exclus de la garantie les produits ayant fait l'objet d'une altération, transformation ou modification par le client utilisateur. Les pièces d'usures, accessoires et/ou les consommables ne peuvent pas faire l'objet de garantie.

Sont considérés comme accessoires, pièces d'usure et consommables :

La mallette et l'emballage de transport, les bobines de liens, et les kits de pièces détachées (KIT A à KIT E) joints à la notice d'utilisation.

### III. MISE EN ŒUVRE DE LA GARANTIE FABRICANT

Celle-ci commence à compter de la livraison du produit au client utilisateur.

Pour bénéficier de la garantie, il est impératif de fournir une copie d'un justificatif d'achat daté et de retourner le produit dans son coffret d'origine (batteries et chargeur inclus).

## RECYCLAGE DE LA BATTERIE

Les batteries usagées doivent être retirées de l'appareil et mises au rebut de façon sûre.

Les batteries ne doivent pas être jetées avec les ordures ménagères habituelles, elles peuvent contenir des métaux lourds toxiques et sont soumises aux réglementations relatives aux déchets dangereux.

Pour cette raison, jetez les piles ou batteries usagées dans un point de collecte local.



2012/19/EU

**FR Déchets d'équipements électriques et électroniques (DEEE)**

Les appareils électriques et électroniques contiennent

nent des matériaux et des substances qui peuvent avoir des effets néfastes sur la santé humaine et l'environnement. Ce symbole indique que cet appareil ne doit pas être traité comme un déchet municipal non trié mais doit être collecté séparément. Éliminez l'appareil que dans les centres de collecte pour le recyclage des déchets d'équipements électriques et électroniques dans l'UE, le Royaume-Uni et dans d'autres pays européens qui exploitent des systèmes

de collecte séparés pour les déchets d'équipements électriques et électroniques. En éliminant l'appareil de manière appropriée, vous contribuez à éviter les risques potentiels pour l'environnement et la santé publique qui pourraient autrement être causés par un traitement inapproprié des déchets d'équipement. Le recyclage des matériaux contribue à la conservation des ressources naturelles.

## BHX50 ACCUBINDMACHINE

### Vertaling van de originele instructies

NL

#### GEREEDSCHAP ONDERDELEN BESCHRIJVING:

- A. Bindmachine
- A1. Geleidehaak
- A2. Bindpersplaat
- A3. Binddraaiwiel
- A4. LED-licht
- A5. Trekker
- A6. Aanvoermecanisme
- A7. Spoel
- A8. Elastische band
- A9. Keuzeschakelaar draaiingen - min
- A10. Display
- A11. Keuzeschakelaar draaiingen - plus
- A12. Aanknop
- A13. Smering
- B. Lithiumaccu
- B1. Ontgrendelknop accu
- B2. Accu-ingangsconnector
- C. Acculader
- C1. Voedingsingang
- C2. LED-licht oplader
- C3. Oplaadaansluiting
- D. Schaar
- E2. Accu opladen
- F. Symbolen
- F1. Lees alle veiligheidswaarschuwingen en instructies aandachtig door.
- F2. Accu mag alleen binnenshuis worden opgeladen
- F3. Dubbele isolatie, aarding niet vereist.
- F4. Beveiligde oplader.
- F5. Het opladen van de accu wordt automatisch onderbroken wanneer oververhitting optreedt.
- F6. Gebruik of stel de bindmachine niet bloot aan regenachtige omstandigheden.
- F7. Elektrische apparatuur mag niet met het huisvuil worden weggegooid.
- F8. Raak geladen voorwerpen nooit aan met een elektrische schaar.
- F9. Draag oog- en gehoorbescherming.
- F10. Draag beschermende handschoenen.
- F11. Waarschuwingssymbool, met informatie over persoonlijk letsel

#### INTRODUCTIE

Dit gereedschap is bedoeld voor het binden van wijnranken in wijngaarden met een maximale diameter van 25 mm.

De bindmachine mag alleen worden gebruikt voor de beoogde doeleinden.

Als dit gereedschap voor andere niet-goedgekeurde doeleinden wordt gebruikt, kan dit schade aan het gereedschap en de gebruiker veroorzaken.

Dit gereedschap mag alleen worden gebruikt door volwassenen of door jongeren onder toezicht van volwassenen.

De gebruiker neemt de volledige verantwoordelijkheid op zich voor schade aan anderen of materiële schade veroorzaakt door een ongeval dat zich tijdens het gebruik voordoet.

De fabrikant is niet aansprakelijk voor schade veroorzaakt door niet-normaal of oneigenlijk gebruik.

#### TECHNISCHE SPECIFICATIES:

|  |  |
|--|--|
| Accubindmachine, modelnummer             | BHX50  |
| Type spoel                               | Papier of plastic binding  |
| Magazijn capaciteit, max                 | 100 m  |
| Maximale bindcapaciteit                  | 25 mm  |
| Afmetingen H x B x D                     | 240 x 75 x 310 mm  |
| Gewicht                                  | 1,065 kg (incl. accu)  |
| Accu, type, voltage                      | Verwijderbaar, KH-B1A16BX, Li-Ion, 14.4V   |
| Accu capaciteit, vermogen, max. vermogen | 2500 mAh, 100W, 500W   |
| Opladcondities accu                      | +4°C tot +40°C   |
| Opslagcondities accu                     | -20°C tot +50°C  |
| Accu oplader                             | "100-240V AC, 50-60Hz, 0.5A ingang 16.8V DC, 1.42A, twee oplaadplekken, sequentieel laden" |
| Oplaadtijd                               | 120 minuten/per accu   |
| Bindingen per acculading, max            | ≈ 900 bindingen  |
| Bindsnelheid, max continu                | 12 bindingen / min   |
| Werkomstandigheden                       | -+4°C tot +40°C  |

#### VEILIG WERKEN MET ELEKTRISCH GEREEDSCHAP



**WAARSCHUWING!!** Lees alle veiligheidswaarschuwingen, instructies, illustraties en specificaties die

**bij dit elektrische gereedschap worden geleverd.**

**Als de onderstaande waarschuwingen en voorschriften niet worden opgevolgd, kan dit leiden tot elektrische schokken, brandgevaar en/of ernstig persoonlijk letsel.**

**Bewaar alle waarschuwingen en voorschriften om ze later opnieuw te kunnen raadplegen.**

Het begrip "elektrisch gereedschap" verwijst hier naar apparaten met netsnoer voor gebruik via het elektriciteitsnet en naar (draadloze) apparaten met een accu.

### 1) VEILIGE WERKOMGEVING

- a) **Werk in een schone, goed verlichte ruimte.**  
Een rommelige of donkere werkplek vergroot de kans op ongelukken.
- b) **Gebruik het gereedschap niet in een omgeving met explosiegevaar, bijvoorbeeld in de nabijheid van brandbare vloeistoffen, gassen of stof.** Elektrische gereedschappen veroorzaken vonken, die het stof of de dampen tot ontploffing kunnen brengen.
- c) **Houd omstanders, kinderen en bezoekers uit de buurt tijdens het bedienen van een elektrisch gereedschap.** Wanneer u wordt afgeleid, kunt u de controle over het gereedschap verliezen.

### 2) ELEKTRISCHE VEILIGHEID

- a) **De netsnoerstekker van het gereedschap moet geschikt zijn voor de wandcontactdoos. Probeer nooit een niet-geschiedte stekker passend te maken. Gebruik nooit adapterstekkers met geaarde gereedschappen. Niet-geschiedte stekkers en wandcontactdozen vergroten de kans op een elektrische schok.**
- b) **Voorkom dat uw lichaam in aanraking komt met geaarde oppervlakken zoals leidingen, radiatoren, fornuizen en koelkasten.** Er is een verhoogd risico op elektrische schokken wanneer uw lichaam geaard is.
- c) **Houd het gereedschap uit de buurt van regen en vocht.** Als er water in het gereedschap binnendringt, kunnen er elektrische schokken ontstaan.
- d) **Gebruik het netsnoer alleen waarvoor dit bedoeld is. Gebruik het netsnoer nooit om het gereedschap te dragen of op te hangen of om de stekker uit de wandcontactdoos te trekken. Houd het netsnoer uit de buurt van hete oppervlakken, olie, scherpe randen en bewegende onderdelen.** Beschadigde of in de war geraakte netsnoeren vergroten het risico van een elektrische schok.
- e) **Wanneer u buitenshuis met elektrisch gereedschap werkt, moet u altijd een verlengsnoer gebruiken dat is goedgekeurd voor buitenge-**

**bruik.** Een verlengsnoer voor buitengebruik beperkt het risico van elektrische schokken.

- f) **Als het onvermijdelijk is dat u het elektrische gereedschap in een vochtige omgeving gebruikt, moet u gebruikmaken van een aardlekschakelaar.** Een aardlekschakelaar beperkt de kans op elektrische schokken.
- ### 3) PERSOONLIJKE VEILIGHEID
- a) **Wees alert, blijf met uw aandacht bij wat u doet en ga met overleg te werk bij het gebruik van elektrische gereedschappen.** Gebruik het gereedschap niet wanneer u moe bent of onder invloed staat van medicijnen, alcohol of drugs. Een moment van onoplettendheid kan tot ernstig letsel leiden.
  - b) **Gebruik persoonlijke beschermingsmiddelen. Draag altijd een veiligheidsbril.** Het risico van persoonlijk letsel wordt aanzienlijk beperkt wanneer u persoonlijke beschermingsmiddelen draagt zoals een stofmasker, slipvaste werkschoenen, een veiligheidshelm of gehoorbescherming, afhankelijk van de aard en het gebruik van het elektrische gereedschap.
  - c) **Voorkom dat het gereedschap onbedoeld wordt ingeschakeld. Zorg dat de schakelaar UIT staat voordat u het gereedschap vastpakt of op het elektriciteitsnet of de accu aansluit.** Wanneer u tijdens het dragen van het elektrische gereedschap uw vinger op de schakelaar houdt of wanneer u het gereedschap op de stroomvoorziening aansluit terwijl het ingeschakeld is, bestaat er een grote kans op ongevallen.
  - d) **Verwijder stelsleutels en dergelijke voordat u het gereedschap inschakelt.** Een stelsleutel vastzit in een draaiend onderdeel van het gereedschap kan tot letsel leiden.
  - e) **Reik niet te ver voorover of opzij. Zorg ervoor dat u stevig en goed gebalanceerd op de grond staat.** Hierdoor kunt u het gereedschap in onverwachte situaties beter onder controle houden.
  - f) **Draag geschikte werkkleding. Vermijd loshangende kleding of sieraden.** Houd uw haar, kleding en handschoenen uit de buurt van bewegende delen. Loshangende kleding, sieraden en lang haar kunnen verstrikt raken tussen bewegende delen.
  - g) **Wanneer er voorzieningen voor het afzuigen en opvangen van stof beschikbaar zijn, moeten deze worden aangesloten en gebruikt.** Geschikte afzuiging beperkt de risico's van stof.
  - h) **Laat vertrouwdheid door frequent gebruik van het gereedschap er niet voor zorgen dat u onvoorzichtig wordt en de veiligheidsbeginselen negeert.** Onvoorzichtig handelen kan binnen een fractie van een seconde ernstig letsel veroorzaken.
- ### 4) GEBRUIK EN ONDERHOUD VAN ELEKTRISCH GEREEDSCHAP
- a) **Zorg dat het gereedschap niet overbelast wordt. Gebruik het juiste gereedschap voor uw werkzaamheden.** Met het passende elektrische gereedschap werkt u beter en veiliger binnen het bereik waarvoor het gereedschap is



- ontworpen.
- b) **Gebruik nooit elektrisch gereedschap waarvan de schakelaar defect is.** Elektrische gereedschappen die niet via de schakelaar kunnen worden in- of uitgeschakeld, zijn gevaarlijk en moeten direct worden gerepareerd.
  - c) **Neem de stekker uit de wandcontactdoos of ontkoppel de accu van het gereedschap voordat u wijzigingen aanbrengt, hulpstukken verwisselt of het gereedschap opbergt.** Hierdoor verkleint u de kans dat het gereedschap per ongeluk wordt gestart.
  - d) **Bewaar elektrische gereedschappen buiten bereik van kinderen.** Laat het gereedschap niet gebruiken door personen die er niet mee vertrouwd zijn of die deze aanwijzingen niet hebben gelezen. Elektrische gereedschappen kunnen gevaarlijk zijn bij gebruik door onervaren personen.
  - e) **Onderhoud het elektrische gereedschap zorgvuldig. Controleer op slecht aansluitende of vastlopende bewegende delen, breuken en andere omstandigheden die de werking van het gereedschap kunnen beïnvloeden.** Laat beschadigde onderdelen repareren voordat u het gereedschap gebruikt. Veel ongevallen worden veroorzaakt door slecht onderhouden gereedschappen.
  - f) **Houd messen en snijdende inzetstukken altijd scherp en schoon.** Goed onderhouden snijdende inzetstukken met scherpe snijkanten lopen minder snel vast en zijn gemakkelijker te sturen.
  - g) **Gebruik elektrische gereedschappen, accessoires, bitjes en andere toebehoren altijd volgens deze aanwijzingen, rekening houdend met de omstandigheden en dewerkzaamheden.** Het gebruik van elektrische gereedschappen voor andere dan de bedoelde toepassingen kan tot gevaarlijke situaties leiden.
  - h) **Houd handgrepen en grijpvlakken droog, schoon en vrij van olie en vet.** Gladde handgrepen en grijpvlakken garanderen geen veilig gebruik en controle van het gereedschap in onverwachte situaties.
- 5) GEBRUIK EN ONDERHOUD VAN ACCUGEREEDSCHAPPEN**
- a) **Laad accu's alleen op met de oplader die door de fabrikant wordt geadviseerd.** Een oplader die voor één bepaald type accu geschikt is, kan brandgevaar veroorzaken wanneer deze met andere accu's wordt gebruikt.
  - b) **Gebruik alleen de daarvoor bedoelde accu's in de elektrische gereedschappen.** Het gebruik van andere accu's kan tot verwondingen en brandgevaar leiden.
  - c) **Voorkom dat de niet-gebruikte accu in aanraking komt met paperclips, munten, sleutels, spijkers, schroeven en andere kleine metalen voorwerpen die overbrugging van de contacten kunnen veroorzaken.** Kortsluiting tussen de accucontacten kan brandwonden of brand tot gevolg hebben.
  - d) **Bij verkeerd gebruik kan vloeistof uit de accu lekken; voorkom elk contact. Spoel bij onvoorzien contact met water af.** Wanneer de vloeistof in de ogen komt, dient u bovendien een arts te raadplegen. Gelekte accuvloeistof kan tot huidirritaties en verbrandingen leiden.
  - e) **Gebruik de accu of het gereedschap niet, als deze beschadigd of veranderd zijn.** Beschadigde of veranderde accu's kunnen onvoorspelbaar gedrag vertonen, waardoor er brand, explosie of het gevaar van letsel kan ontstaan.
  - f) **Stel de accu of het gereedschap niet bloot aan vuur of hoge temperaturen.** Blootstelling aan vuur of temperaturen boven 130°C kan een explosie veroorzaken.
  - g) **Volg alle aanwijzingen voor het laden en laad de accu of het gereedschap niet buiten het temperatuurbereik dat in de aanwijzingen is vermeld.** Verkeerd laden of laden bij temperaturen buiten het vastgelegde bereik kan de accu beschadigen en het risico van brand vergroten.
- 6) REPARATIE**
- a) **Laat het gereedschap uitsluitend door bevoegd personeel repareren met originele reserveonderdelen.** Hierdoor blijft de veiligheid van het gereedschap gewaarborgd.
  - b) **Voer nooit servicewerkzaamheden aan beschadigde accu's uit.** Service van accu's dient uitsluitend te worden uitgevoerd door de fabrikant of erkende servicepartners.

## VEILIGHEIDSWAARSCHUWINGEN BINDMACHINE



### WAARSCHUWING!

1. Verwijder de voorklep niet tijdens het gebruik. Om persoonlijk letsel te voorkomen, houdt u de voorzijde van de bindmachine uit de buurt van enig lichaamsdeel.
2. Nadat het binden is voltooid, verplaatst u het gereedschap voorzichtig naar de volgende plek. Zorgvuldig omgaan met het gereedschap beschermt de gebruiker en verlengt de levensduur van de bindmachine.
3. Gebruik de bindmachine niet in de regen, water in het gereedschap kan het beschadigen.
4. Het product is ontworpen om wijnranken en andere takken vast te binden tot maximaal 25 mm. Grotere diameters kunnen het gereedschap beschadigen of de levensduur verkorten.
5. Schakel de stroom uit voordat u probeert de vastzittende voedingshaak of binddraad te verwijderen.
6. Zorg ervoor dat er voldoende ruimte is voor de voerhaak om te bewegen, als er belemmeringen zijn, kan het bindresultaat slecht zijn.
7. Gebruik het gereedschap niet in de buurt van ontvlambare vloeistoffen of gassen. Als er kortsluiting optreedt, kan dit een explosie of brand veroorzaken.
8. Het voersysteem moet regelmatig worden gecontroleerd en schoongemaakt. Als vreemde materialen zich ophopen in het voersysteem, zal dit de werking van het binden beïnvloeden en de belasting van de apparatuur vergroten. Productgarantie dekt geen schade veroorzaakt door verkeerd onderhoud.

9. Probeer het gereedschap niet zelf te repareren, tenzij u hiervoor bent opgeleid. Reparatiewerkzaamheden die niet in deze handleiding worden genoemd, kunnen alleen worden uitgevoerd door het personeel van ons servicecentrum.

## GELUIDSEMISSIE/VIBRATIE

- A-gewogen geluidsrukniveau  $LpA = 70,5$  dB(A), onzekerheid  $K = 3$  dB(A). A-gewogen geluidsvermogensniveau  $LwA = 81,5$  dB(A), onzekerheid  $K = 3$  dB(A). Het is aanbevolen voor de gebruiker om gehoorbescherming te dragen.
- Totale trillingswaarde  $= 1,125$  m/s<sup>2</sup>, onzekerheid  $K = 1,5$  m/s<sup>2</sup>. De opgegeven totale trillingswaarde is gemeten volgens een standaard testmethode en kan worden gebruikt om het ene gereedschap met het andere te vergelijken. De opgegeven totale trillingswaarde kan ook worden gebruikt bij een voorlopige beoordeling van de blootstelling.



### WAARSCHUWING!!

De trillingsemisatie tijdens het daadwerkelijke gebruik van het elektrisch gereedschap kan verschillen van de opgegeven totale waarde, afhankelijk van de manier waarop het gereedschap wordt gebruikt.

Het is nodig om veiligheidsmaatregelen te identificeren om de gebruiker te beschermen die zijn gebaseerd op een schatting van de blootstelling in de werkelijke gebruiksomstandigheden (rekening houdend met alle onderdelen van de bedrijfscyclus, zoals de tijden waarop het gereedschap is uitgeschakeld en wanneer het stationair draait naast de gebruiksduur).

## INSTRUCTIEVIDEOS

Scan de QR-code op de voorzijde van de handleiding of ga naar [www.rapid.com](http://www.rapid.com) om te profiteren van een garantieverlenging van 2 jaar en toegang te krijgen tot onze instructievideo's:

- Hoe de spoelen te wisselen;
- Hoe te werken met het gereedschap;
- Hoe slijtonderdelen te vervangen.

## BEDIENING EN GEBRUIK

### BINDMACHINE AANZETTEN

Zorg ervoor dat het gereedschap in goede staat verkeert.

Plaats een opgeladen accu in de stroomaansluiting van de bindmachine

Druk op de aan/uit-knop, het display licht op en u hoort een lange, 3 korte en een lange pieptoon.

### BINDEN

Plaats takken in de bindmond

Druk op de trekker voor een binding

Laat de trekker los en verwijder het gereedschap van de tak

Herhaal dit om de volgende binding te maken

### LAAD NIEUWE SPOEL MET SMART CUT



### LET OP!! VOLG DEZE 8 STAPPEN OM HET GEREEDSCHAP EFFECTIEF TE HERLADEN

1. Stop met binden wanneer u 4-5 windingen van de resterende draad op de spoel heeft; zie foto G1

2. Houd de trekker 4-5 seconden ingedrukt totdat de geleidingshaak in de actieve positie vergrendelt en laat dan los. Smart cut is geactiveerd; zie afbeelding G2  
Zet de machine niet uit en druk nog niet op de trekker  
Open de trekgesp en verwijder de behuizing
3. Verwijder de gebruikte spoel met de resterende draad en de draad in de geleidingshaak; zie afbeelding G3
4. Druk nu eenmaal op de trekker om smart cut te deactiveren en verwijder de binding uit de geleidingshaak; zie afbeelding G4
5. Plaats de nieuwe spoel rechtstreeks in het magazijn. Verwijder "eindbevestigingstape"; zie afbeelding G5.
6. Steek de draad plat in het invoermondstuk totdat de draad de eindstop bereikt en druk op de trekker om de ingebrachte draad door te voeren; zie afbeelding G6
- ! Zorg ervoor dat de draad van bovenaf wordt ingevoerd en niet van onderaf. Zorg er ook voor dat de draad niet gedraaid en geknoopt is.
7. Verwijder de hoofdbevestigingstape; zie afbeelding G7
8. Plaats het deksel van de haspelhouder terug en druk op de trekker totdat u een goede binding hebt; zie afbeelding G8

## BINDING AANPASSEN

Om de binding optimaal te maken voor het type takken dat u bindt, kunt u het aantal windingen aanpassen door "keuzeschakelaar draaiingen" te selecteren.

| Keuzeschakelaar draaiingen |   |   |   |   |
|----------------------------|---|---|---|---|
| Stand binding              | 1 | 2 | 3 | 4 |
| Aantal draaiingen          | 2 | 3 | 4 | 5 |

## STORING GELUIDSINDICATIES

| Frequentie geluidsindicatie | Probleem               | Oplossing                               |
|-----------------------------|------------------------|---|
| Enkele pieptoon             | Storing accucapaciteit | Controleer of de accucapaciteit laag is |
| Meerdere pieptonen          | Intern probleem        | Gereedschap heeft service nodig         |

## GEBRUIK EN ONDERHOUD VAN DE ACCU



### LET OP !!

1. Gebruik alleen de acculader die bij het gereedschap is geleverd, het gebruik van andere laders kan brand veroorzaken.
2. Gebruik, laad of bewaar de accu alleen binnen het gespecificeerde temperatuurbereik.
3. Beneden +4C° kan de accucapaciteit worden beïnvloed en het aantal laadcycli verminderen.
4. Sluit de accu niet kort en zorg ervoor dat geleidende items uit de buurt van de accu worden gehouden wanneer deze niet in gebruik zijn.
5. Haal de accu niet uit elkaar.
6. Gebruik de accu niet in de buurt van een warmtebron.
7. Leg de accu niet in vuur of in water.
8. Breng geen schade toe aan het accupakket.

9. Gebruik geen accu die beschadigd, vervormd of gecorrodeerd is.
10. Soldeer of las niet op de accu.
11. Gebruik de accu niet op andere apparatuur dan het daarvoor bestemde gereedschap.
12. Plaats de accu niet in de magnetron.
13. Gebruik geen accu die lekt.
14. Houd de accu buiten het bereik van KINDEREN.
15. Als u in contact komt met een lekkende accu, was deze dan onmiddellijk af met schoon water.

#### OPLADEN ACCU

Sluit de accu aan op de oplader en steek de stekker van de oplader in het stopcontact. De LED-indicator op de oplader wordt **ROOD** tijdens het opladen en wordt **GROEN** wanneer de accu volledig is opgeladen, zie afbeelding E2.



#### LET OP !!

#### OPLADEN ACCU

1. Tijdens het opladen is het normaal dat de oplader en de accu warm worden.
2. Laad een beschadigde accu niet op en haal de oplader of accu niet uit elkaar.
3. Laad de accu alleen binnen het aangegeven temperatuurbereik op.
4. Plaats de accu niet in de buurt van een hittebron met een hoge temperatuur, de accu kan exploderen in vuur of langdurige blootstelling aan een hittebron met hoge temperatuur.
5. Laad de accu niet buiten- of in een vochtige omgeving op.

#### OPSLAG VAN DE ACCU

1. Om een goede opslag van de accu te garanderen, moet u binnen het gespecificeerde temperatuurbereik blijven.
2. Als de apparatuur lange tijd niet wordt gebruikt, verwijder dan de accu en laad deze op voordat u deze opbergt.
3. Het wordt aanbevolen om de accu en oplader tijdens opslag in de koffer te plaatsen.
4. De accu moet in een droge omgeving worden bewaard, uit de buurt van ontvlambare stoffen.

#### GEBRUIK EN ONDERHOUD VAN DE OPLADER



#### LET OP !!

Gebruik de originele oplader om de veiligheid van de apparatuur te garanderen.

Gebruik alleen een oplader in goede staat en probeer nooit een defecte oplader te gebruiken.

Zorg ervoor dat de voedingsspanning overeenkomt met de nominale spanning op het typeplaatje van de oplader.

Koppel de oplader los van de voeding wanneer deze niet in gebruik is.

Gebruik de oplader niet buiten- of in een vochtige omgeving. Het binnendringen van vuil of water verhoogt het risico op een elektrische schok.

De oplader mag alleen worden gebruikt om de originele accu op te laden, anders kan dit leiden tot persoonlijk letsel en brand veroorzaken.

Vorkom schade aan de oplader, een beschadigde oplader kan het risico op elektrische schokken vergroten.

Gebruik opladers niet op ontvlambare oppervlakken (bijv. papier, textiel)

Als het netsnoer van de oplader beschadigd is, moet het worden vervangen door gekwalificeerd personeel.

#### ONDERHOUD



#### WAARSCHUWING!!

Verwijder de accu voordat u onderhoud pleegt!

#### ALGEMENE ONDERHOUD NADAT ELKE SPOEL LEEG IS

Het gereedschap moet worden afgeveegd met een natte doek.

Gebruik een verfkwaast of iets dergelijks om vreemde voorwerpen in de geleidingsbaan, het draaiwiel en de aanvoermechanisme weg te borstelen.

! Gebruik geen reinigingsmiddel, anders kan het gereedschap blijvend beschadigd raken.

#### OLIE & SMERING NA ELKE WERKDAG

Gebruik goede kwaliteit olie, bijvoorbeeld 3-IN-1 of 15W-40. Smeer alle bewegende delen en het snijmes, zie afbeelding A13

#### VERVANGING AANVOERMECHANISME

Wanneer het invoerwiel de draad niet meer voedt, wordt een vervanging aanbevolen. Art. Nr. set: 5001602

#### VERVANGING BINDING & HAAK

In het geval dat de bindhaak stopt met draaien of je krijgt slechte bindingen, wordt een vervanging aanbevolen. Art. Nr. set: 5001603

#### VERVANGING REM

Wanneer de O-ring tussen de roterende rem en de vaste remnaaf versleten is, wordt vervanging aanbevolen. Art. Nr. set: 5001604

#### LIJST VAN RESERVEONDERDELEN

#### SET A: SNIJMES ART. NR. 5001601

| POSITIE | OMSCHRIJVING   | AANTAL |
|---------|----------------|--------|
| 76.     | Vaste mes      | 1      |
| 77.     | Geleidingsblok | 1      |
| 81.     | Bewegende mes  | 1      |

#### SET B: AANVOERMECHANISME Art No 5001602

| POSITIE | OMSCHRIJVING  | AANTAL |
|---------|---------------|--------|
| 80.     | Rubberen wiel | 3      |
| 84.     | Borgring      | 3      |

#### SET C: BINDING & HAAK ART. NR. 5001603

| POSITIE | OMSCHRIJVING   | AANTAL |
|---------|----------------|--------|
| 61.     | Wiel           | 1      |
| 62.     | Hex schroef    | 1      |
| 68.     | Hoofdhaak      | 1      |
| 69.     | Pin            | 1      |
| 54.     | Geleidingsblok | 1      |

#### SET D: REM ART. NR. 5001604

| POSITIE | OMSCHRIJVING | AANTAL |
|---------|--------------|--------|
| 5.      | Hoofdschroef | 1      |

|     |        |   |
|-----|--------|---|
| 6.  | O-ring | 1 |
| 8.  | Ring   | 1 |
| 11. | Band   | 1 |

**SET E: SCHAREN**

**ART. NR. 5001605**

## AANVULLENDE SERVICE-INFORMATIE

Kijk op [www.rapid.com](http://www.rapid.com)

### GARANTIE

#### I. GARANTIEPERIODE

Dit Rapid product heeft een garantie van drie (3) jaar onder de fabrieksgarantie (of commerciële garantie), vanaf de leveringsdatum aan de eindgebruiker (uitgezonderd slijtonderdelen, accessoires, accus en opladers). De accus en opladers hebben een garantie van twee (2) jaar. Om de garantie te verlengen tot vijf (5) jaar, kunt u zich online registreren op [www.rapid.com](http://www.rapid.com) of de QR-code scannen. Hiervoor heb je het gereedschap en aankoopbewijs nodig.

#### II. GARANTIEVOORWAARDEN

Er kan geen aanspraak worden gemaakt op de fabrieksgarantie voor producten die abnormaal zijn gebruikt of worden bediend in andere omstandigheden dan bedoeld, met name met betrekking tot de punten die in deze gebruikershandleiding worden vermeld. De garantie geldt evenmin bij schokken, vallen, nalatigheid, gebrek aan toezicht en/of onderhoud. Elke wijziging of aanpassing die door de eindgebruiker aan de producten wordt uitgevoerd, maakt de garantie ongeldig. De aan slijtage onderhevige onderdelen, accessoires en/of verbruiksmaterialen vallen nimmer onder de garantie.

Worden beschouwd als accessoires, slijtonderdelen of verbruiksartikelen:

de koffer en verpakking, de spoelen en de sets met

reserveonderdelen (SET A tot SET E) die in deze gebruikershandleiding zijn opgenomen.

### III. GARANTIECLAIMS

De garantieperiode begint vanaf de leveringsdatum aan de eindgebruiker.

In het geval van een garantieclaim, moet het product worden geretourneerd in de originele verpakking (inclusief accu en oplader) samen met een kopie van de originele gedateerde bon.

### AFVOEREN VAN ACCU

Lege batterijen moeten uit het apparaat worden verwijderd en veilig worden afgevoerd.

Accu's mogen niet bij het normale huisvuil worden gegooid, ze kunnen giftige zware metalen bevatten en vallen onder de regelgeving voor gevaarlijk afval.

Deponeer gebruikte accu's daarom bij een plaatselijk inzamelpunt.



2012/19/EU

**NL Afgedankte elektrische en elektronische apparatuur (AEEA)**

Elektrische en elektronische apparaten bevatten materialen en stoffen die schadelijke effecten kunnen hebben op de menselijke gezondheid en het milieu. Dit symbool op het apparaat, de accessoires of verpakking, geeft aan dat dit apparaat niet mag worden gezien als ongesorteerd huishoudelijk afval, maar apart moet worden ingezameld! Lever het apparaat in bij een inzamelpunt voor de recycling van elektrisch afval en elektronische apparatuur binnen de EU. Door dit apparaat op de juiste wijze af te voeren, helpt u mogelijke gevaren voor het milieu en de volksgezondheid te voorkomen die anders zouden kunnen worden veroorzaakt door onjuiste behandeling van afgedankte apparatuur. De recycling van materialen draagt bij aan het behoud van onze natuurlijke hulpbronnen.

## BHX50 LEGATRICE A BATTERIA

Traduzione delle istruzioni originali

IT

### DESCRIZIONE DELLE PARTI DELL'UTENSILE

- A. Legatrice
- A1. Gancio guida
- A2. Piastra di pressatura
- A3. Ruota torcente
- A4. Luce a led
- A5. Grilletto
- A6. Alimentatore
- A7. Bobina
- A8. Cinturino elastico
- A9. Selettore di ritorsione - meno
- A10. Schermo
- A11. Selettore di ritorsione - più
- A12. Pulsante di accensione
- A13. Lubrificazione
- B. Batteria al litio
- B1. Pulsante di rilascio della batteria
- B2. Connettore ingresso batteria

- C. Caricabatterie
- C1. Connettore di ingresso alimentazione
- C2. Indicatore luminoso a LED del caricatore
- C3. Presa di ricarica
- D. Forbici
- E2. Batteria in carica
- F. Simboli
- F1. Si prega di leggere attentamente tutte le avvertenze e le istruzioni di sicurezza.
- F2. La batteria può essere caricata solo all'interno
- F3. Doppio isolamento, messa a terra non richiesta.
- F4. Caricatore per trasformatori fail-safe.
- F5. La carica della batteria si interrompe automaticamente in caso di surriscaldamento.
- F6. Non utilizzare o esporre la legatrice in condizioni di pioggia.
- F7. Le apparecchiature elettriche non possono essere smaltite con i rifiuti domestici.
- F8. Non toccare mai oggetti in tensione con le forbici elettriche.

- F9. Indossare occhiali e protezioni per le orecchie.  
 F10. Indossa guanti protettivi.  
 F11. Simbolo di avvertenza, con informazioni su lesioni personali

## INTRODUZIONE

Questo attrezzo è destinato alla legatura di tralci di vite in vigneti con un diametro massimo di 25 mm. La legatrice deve essere utilizzata solo per gli scopi previsti.

l'uso di questo strumento per scopi non approvati, potrebbe causare danni allo strumento e causare danni all'utente.

Questo strumento può essere utilizzato solo da adulti o da giovani sotto la supervisione di adulti.

L'operatore o l'utente si assume la piena responsabilità per i danni a terzi o per eventuali danni causati da eventuali incidenti verificatisi durante l'uso.

Il produttore non è responsabile per eventuali danni causati da un uso non normale o improprio.

## SPECIFICA TECNICA

|   |  |
|---|--|
| Legatrice a batteria, numero di modello           | BHX50  |
| Tipo di rotolo                                    | Legaccio in carta o plastica   |
| Capacità caricatore, max                          | 100 m  |
| Capacità massima di legatura                      | 25 mm  |
| Dimensioni utensile H x L x L                     | 240 x 75 x 310 mm  |
| Peso  | 1.065 kg (batteria inclusa)  |
| Modello batteria, tipo, voltaggio                 | Modello staccabile KH-B1A16BX, ioni di litio, 14,4 V   |
| Capacità della batteria, potenza, potenza massima | 2500 mAh, 100 W, 500 W   |
| Condizioni di carica della batteria               | +4°C a +40°C   |
| Condizioni di conservazione della batteria        | -20°C a +50°C  |
| Caricabatterie                                    | "Ingresso 100-240 V CA, 50-60 Hz, 0,5 A 16,8V DC, 1.42A, terminali per due batterie, carica in sequenza" |
| Tempo di carica                                   | 120 minuti/ogni batteria   |
| Legature per carica, max                          | ≈ 9000 pareggi   |
| Velocità di legatura, max continua                | 12 pareggi/min   |
| Condizioni operative                              | +4°C a +40°C   |

## NORME DI SICUREZZA GENERALI PER L'USO DEGLI UTENSILI ELETTRICI



**AVVERTIMENTO!!** Leggere tutte le avvertenze di sicurezza, le istruzioni, le illustrazioni e le specifiche fornite con questo utensile elettrico.

Il mancato rispetto delle istruzioni può comportare il rischio di scossa elettrica, incendio e/o gravi lesioni personali.

Conservare tutte le avvertenze

## e le istruzioni per riferimento futuro.

Nelle avvertenze, per "utensile elettrico" si intende sia un utensile elettrico con cavo che a batteria (senza cavo).

### 1) SICUREZZA DELL'AREA DI LAVORO

- Mantenere sempre l'area di lavoro pulita e ben illuminata.** Banchi da lavoro disordinati e scarsa illuminazione aumentano il rischio di incidente.
- Non utilizzare gli utensili elettrici in atmosfere esplosive, ad es. in presenza di liquidi, gas o polveri infiammabili.** Gli utensili elettrici comportano la formazione di scintille che possono innescare polveri o fumi.
- Mantenere sempre eventuali passanti, bambini e visitatori a distanza di sicurezza dall'utensile elettrico.** Eventuali distrazioni possono comportare la perdita di controllo dell'utensile.

### 2) SICUREZZA ELETTRICA

- La tensione di rete deve corrispondere a quella indicata sull'utensile. La spina non deve essere modifi cata in alcun modo.** Non utilizzare eventuali adattatori con utensili elettrici collegati a terra. L'uso di spine e prese corrette riduce il rischio di scossa elettrica.
- Evitare il contatto del corpo con superfici messe a terra come tubi, radiatori, fornelli e refrigeratori.** Il collegamento a terra del corpo aumenta il rischio di scossa elettrica.
- Non esporre gli utensili elettrici a pioggia o umidità.** Eventuali infiltrazioni d'acqua nell'utensile elettrico aumentano il rischio di scossa elettrica.
- Evitare di danneggiare il cavo. Non utilizzare mai il cavo per trasportare, collegare o scollegare l'utensile elettrico. Mantenere lontano il cavo da fonti di calore, olio, bordi appuntiti o parti mobili.** Cavi danneggiati o schiacciati aumentano il rischio di scossa elettrica.
- In caso di utilizzo di un utensile elettrico in esterni, utilizzare una prolunga adeguata.** L'uso di una prolunga adeguata per esterni riduce il rischio di scossa elettrica.
- Se il funzionamento di un elettro utensile in un luogo umido è inevitabile, utilizzare un'alimentazione protetta da dispositivo a corrente residua (RCD).** L'uso di un interruttore differenziale riduce il rischio di scosse elettriche.

### 3) SICUREZZA PERSONALE

- Prestare sempre la massima attenzione ed utilizzare l'utensile elettrico con cautela. Non utilizzare un utensile elettrico in caso di stanchezza o sotto l'effetto di farmaci, sostanze alcoliche o stupefacenti.** La minima disattenzione può comportare il rischio di gravi lesioni personali.
- Utilizzare dispositivi di protezione individuale adeguati. Utilizzare sempre una protezione per gli occhi.** In determinate condizioni, dispositivi di protezione quali mascherina antipolvere, scarpe antiscivolo, elmetto o cuffi e protettive possono ridurre il rischio di lesioni personali.

- c) **Prevenire l'avviamento accidentale dell'utensile.** Accertarsi che l'interruttore sia in posizione Off prima di collegarlo alla rete elettrica e/o al gruppo batteria, oppure di afferrare o trasportare l'utensile. Non trasportare mai l'utensile tenendo un dito sull'interruttore oppure con l'interruttore in posizione On.
- d) **Rimuovere eventuali chiavi di regolazione prima di avviare l'utensile elettrico.** Un'eventuale chiave lasciata collegata ad una parte rotante dell'utensile elettrico può provocare gravi lesioni personali.
- e) **Non sporgersi. Mantenere sempre un buon equilibrio durante l'uso dell'utensile elettrico.** In tal modo, sarà più facile controllarlo in caso di imprevisto.
- f) **Indossare indumenti adeguati. Non indossare indumenti larghi o gioielli.** Mantenere sempre lontani capelli, indumenti e guanti dalle parti mobili. Indumenti larghi, gioielli o capelli lunghi potrebbero rimanere impigliati nelle parti mobili.
- g) **In caso di utilizzo di dispositivi per la raccolta e l'abbattimento della polvere, accertarsi che siano collegati e utilizzati correttamente.** L'uso di dispositivi per l'abbattimento della polvere può ridurre il rischio di malattie per inalazione.
- h) **Non lasciare che la familiarità acquisita con l'uso frequente degli strumenti ti consenta di trascurare i principi di sicurezza degli strumenti.** Un'azione trascurata può causare gravi lesioni in una frazione di secondo.
- 4) USO E CURA DELL'UTENSILE ELETTRICO**
- a) **Non forzare l'utensile elettrico. Utilizzare un utensile corretto per la propria applicazione.** Utilizzando un utensile elettrico della potenza corretta, il lavoro potrà essere svolto in modo più facile e veloce.
- b) **Non utilizzare l'utensile elettrico in caso di malfunzionamento dell'interruttore.** Un utensile elettrico che non può essere controllato con l'interruttore è pericoloso e deve essere riparato.
- c) **Scollegare la spina dalla presa elettrica e/o rimuovere il gruppo batteria dall'utensile elettrico prima di eventuali regolazioni, sostituzioni di accessori oppure prima di riporre l'utensile elettrico.** Queste precauzioni riducono il rischio di avviamento accidentale dell'utensile elettrico.
- d) **Tenere gli utensili elettrici fuori dalla portata dei bambini e non consentirne l'uso a persone inesperte.** Nelle mani di utenti inesperti, gli utensili elettrici sono molto pericolosi.
- e) **Manutenzione di utensili elettrici e accessori. Verificare il disallineamento o il grippaggio delle parti in movimento, la rottura delle parti e qualsiasi altra condizione che possa influire nel funzionamento dell'utensile elettrico.** Se danneggiato, far riparare l'utensile elettrico prima dell'uso. Molti incidenti sono causati da utensili elettrici mal mantenuti.
- f) **Mantenere gli utensili di taglio affilati e puliti.** Utensili di taglio in buone condizioni e affilati si piegano meno facilmente e sono più facili da controllare.
- g) **Utilizzare l'utensile elettrico, gli accessori, gli inserti ecc. nel rispetto delle presenti istruzioni e tenendo conto sia delle condizioni di lavoro che del lavoro da svolgere.** L'utilizzo dell'utensile elettrico per operazioni diverse da quelle previste può comportare situazioni di pericolo.
- h) **Mantenere le impugnature e le superfici di presa asciutte, pulite e prive di olio e grasso.** Le impugnature scivolose e le superfici di presa sporche possono non consentire la manipolazione e il controllo sicuri dell'utensile in situazioni impreviste.
- 5) TRATTAMENTO ED UTILIZZO APPROPRIATO DI UTENSILI DOTATI DI BATTERIE RICARICABILI**
- a) **Per ricaricare la batteria utilizzare solo il dispositivo di carica consigliato dal produttore.** Per un dispositivo di carica previsto per un determinato tipo di batteria sussiste pericolo di incendio se viene utilizzato con un tipo diverso di batteria ricaricabile.
- b) **Utilizzare gli elettro utensili solo con le batterie esplicitamente previste.** L'uso di batterie ricaricabili di tipo diverso potrà dare insorgenza a lesioni e comportare il rischio d'incendi.
- c) **Durante i periodi di inutilizzo, conservare la batteria lontano da oggetti metallici quali fermagli, monete, chiavi, chiodi, viti ed altri piccoli oggetti metallici che potrebbero creare una connessione tra i terminali.** Un eventuale corto circuito tra i contatti dell'accumulatore potrà dare origine a bruciature o ad incendi.
- d) **In caso di condizioni d'uso non conformi, si può verificare la fuoriuscita di liquido dalla batteria. Evitare il contatto. In caso di contatto accidentale, risciacquare con acqua.** Qualora il liquido venisse in contatto con gli occhi, richiedere inoltre assistenza medica. Il liquido fuoriuscito dalla batteria ricaricabile potrà causare irritazioni cutanee o ustioni.
- e) **Non utilizzare una batteria, né un utensile danneggiati o modificati.** Batterie danneggiate o modificate possono comportare problemi non prevedibili, causando incendi, esplosioni e possibili lesioni.
- f) **Non esporre una batteria o un elettro utensile al fuoco o a temperature eccessive.** L'esposizione al fuoco o a temperature superiori a 130 °C può causare esplosioni.
- g) **Seguire tutte le istruzioni di carica e non ricaricare la batteria o l'elettro utensile fuori dal campo di temperatura indicato nelle istruzioni stesse.** Una carica non corretta, o fuori dal campo di temperatura indicato, può comportare danni alla batteria ed aumentare il pericolo di incendio.
- 6) ASSISTENZA**
- a) **L'utensile elettrico deve essere riparato da un tecnico qualificato utilizzando esclusivamente ricambi originali.** In questo modo, è possibile mantenere il livello di sicurezza originale dell'utensile elettrico.
- b) **Non eseguire mai la manutenzione di batterie danneggiate.** La manutenzione di batterie ricaricabili andrà effettuata esclusivamente dal

produttore o da fornitori di servizi appositamente autorizzati.

## AVVERTENZE PER LA SICUREZZA DELLA LEGATRICE



### AVVERTIMENTO!

1. Non rimuovere il coperchio anteriore durante l'operazione. Per evitare lesioni personali, tenere la bocca di legatura dell'estremità anteriore lontana da qualsiasi parte del corpo.
2. Al termine dell'operazione di legatura, spostare l'utensile nella posizione di lavoro successiva con cautela. Un'attenta manipolazione dell'utensile proteggerà l'operatore e prolungherà la vita utile della legatrice.
3. Non utilizzare la legatrice in caso di pioggia, l'acqua all'interno dell'utensile potrebbe danneggiarlo.
4. Il prodotto è progettato per legare viti e altri tralci entro la gamma effettiva di 25 mm di diametro massimo. Il funzionamento al di fuori dell'intervallo può danneggiare l'utensile o ridurne la durata.
5. Spegnerne l'alimentazione prima di qualsiasi tentativo di rimuovere il gancio di alimentazione bloccato o il filo di legatura.
6. Assicurarsi che ci sia spazio sufficiente per il movimento del gancio di alimentazione, se ci sono interferenze di movimento il risultato della legatura potrebbe essere negativo.
7. Non utilizzare lo strumento vicino a liquidi o gas infiammabili. Se si verifica un cortocircuito, potrebbe causare un'esplosione o un incendio.
8. Il sistema di alimentazione deve essere controllato e pulito frequentemente. Se si accumulano materiali estranei nella pista di alimentazione, ciò influirà sull'operazione di legatura e aggraverà la sollecitazione alla quale l'attrezzo sarà sottoposto. La garanzia del prodotto non copre i danni causati da un'errata manutenzione.
9. Non tentare di riparare l'utensile da soli, a meno che non si sia stati addestrati. Le operazioni di riparazione non menzionate in questo manuale possono essere eseguite solo dal personale del nostro centro di assistenza.

### EMISSIONE/VIBRAZIONE RUMORE

- Livello di pressione sonora ponderato  $A$   $L_{pA} = 70,5$  dB(A), tolleranza  $K=3$  dB(A). Livello di potenza sonora ponderato  $A$   $L_{wA} = 81,5$  dB(A), tolleranza  $K=3$  dB(A). Raccomandazione per l'operatore di indossare protezioni acustiche.
- Valore totale della vibrazione  $= 1,125$  m/s<sup>2</sup>, tolleranza  $K=1,5$  m/s<sup>2</sup>. Il valore totale delle vibrazioni dichiarato è stato misurato secondo un metodo di prova standard e può essere utilizzato per confrontare uno strumento con un altro. Il valore totale di vibrazione dichiarato può essere utilizzato anche in una valutazione preliminare dell'esposizione.



### AVVERTIMENTO!

L'emissione di vibrazioni durante l'uso effettivo dell'utensile elettrico può differire dal valore totale dichiarato a seconda delle modalità di utilizzo

dell'utensile.

E' necessario individuare misure di sicurezza a tutela dell'operatore che si basino su una stima dell'esposizione nelle effettive condizioni d'uso (tenendo conto di tutte le fasi del ciclo operativo come i momenti in cui l'utensile è spento e quando è inattivo oltre al tempo di attivazione).

## TUTORIAL

Scansiona il codice QR sulla parte anteriore del manuale o vai su [www.rapid.com](http://www.rapid.com) per beneficiare di un'estensione della garanzia di 2 anni e accedere ai nostri video tutorial:

- Come sostituire le bobine;
- Come maneggiare lo strumento;
- Come sostituire le parti ad usura;

## FUNZIONAMENTO E UTILIZZO

### ACCENDERE LA LEGATRICE

Assicurarsi che lo strumento sia in buone condizioni di lavoro.

Inserire una batteria carica nel connettore di alimentazione della legatrice

Premi il pulsante di accensione, il display si accende e sentirai un segnale acustico lungo, 3 brevi e uno lungo.

### OPERAZIONE DI LEGATURA

Metti i rami all'interno della bocca di legatura

**Premi il grilletto per fare una legatura**

Rilascia il grilletto e rimuovete lo strumento dal ramo

Ripeti per fare la legatura successiva

### CARICARE NUOVA BOBINA UTILIZZANDO SMART CUT

### ATTENZIONE!! SEGUIRE QUESTI 8 PASSAGGI PER RICARICARE EFFICACEMENTE L'UTENSILE

1. Smetti di legare quando hai 4-5 giri di filo rimanenti sulla bobina, vedi figura G1
2. Tenere premuto il grilletto per 4-5 secondi finché il gancio di guida non si blocca in posizione attiva, quindi rilasciare il grilletto. Smart Cut è attivato, vedi figura G2  
Non spegnere la macchina e non premere ancora il grilletto  
Apri il coperchio del caricatore
3. Rimuovere la bobina usata con il filo rimanente e legarla nella bocca del gancio, vedere la figura G3
4. Ora premere una volta il grilletto per disattivare Smart Cut e rimuovere il legaggio dalla bocca del gancio, vedere l'immagine G4
5. Posizionare la nuova bobina direttamente nel caricatore. Rimuovere il "nastro di fissaggio terminale"; vedi figura G5.
6. Inserire il filo piatto nel condotto di alimentazione fino a quando il filo non raggiunge il fine corsa e premere il grilletto per alimentare il filo inserito, vedere figura G6



! Assicurati che il filo sia inserito dall'alto e non dal basso, assicurati anche che il filo non sia attorcigliato e annodato.


7. Rimuovere il nastro di fissaggio principale, vedere

figura G7

- Riposizionare il coperchio del portabobina e premere il grilletto fino a quando non si ottiene una legatura accettabile, vedi figura G8

### REGOLAZIONE DEL LIVELLO DI RITORSIONE

Per rendere i nodi ottimali per il tipo di rami che legghi, puoi regolare il numero di torsioni selezionando "Livello di ritorzione".

| Selettore di ritorzione   |   |   |   |   |
|---|---|---|---|---|
| Livello di ritorzione  | 1 | 2 | 3 | 4 |
| Numero di torsioni  | 2 | 3 | 4 | 5 |

### INDICAZIONI BIP DI GUASTO

| Tempi di frequenza del suono del cicolino | Fallimento                           | Metodo di soluzione                                 |
|---|--------------------------------------|---|
| Singolo segnale acustico                  | Guasto della capacità della batteria | Controllare se la capacità della batteria è bassa   |
| Bip multipli                              | Guasto utensile interno              | Lo strumento necessita di un'assistenza qualificata |

### USO E CURA DEL PACCO BATTERIA



#### ATTENZIONE!!

- Utilizzare solo il caricabatteria fornito insieme allo strumento, l'uso di altri caricatori può provocare incendi.
- Utilizzare, caricare o conservare la batteria solo entro l'intervallo di temperatura specificato.
- Al di sotto di +4C°, la capacità della batteria potrebbe ridursi e ridurre il numero di cicli.
- Non cortocircuitare il pacco batteria e assicurarsi di tenere gli elementi conduttivi lontano dal pacco batteria quando non è in uso.
- Non smontare la batteria.
- Non utilizzare il pacco batteria vicino a fonti di calore.
- Non mettere la batteria nel fuoco o nell'acqua.
- Non danneggiare la batteria.
- Non utilizzare un pacco batteria danneggiato, deformato o corroso.
- Non eseguire saldature sul pacco batteria.
- Non utilizzare il pacco batteria su apparecchiature diverse dallo strumento designato.
- Non mettere la batteria nel forno a microonde.
- Non utilizzare un pacco batteria che perde.
- Tenere la batteria fuori dalla portata dei BAMBINI.
- Se si entra in contatto con una batteria che perde, lavare immediatamente con acqua pulita.

### CARICA DEL PACCO BATTERIA

Collegare la batteria al caricabatteria e collegare la spina del caricabatteria alla presa di corrente. L'indicatore LED sul caricabatteria diventa ROSSO durante la carica e diventa VERDE quando la batteria è completamente carica, vedere immagine E2.



#### ATTENZIONE!!

### CARICA DEL PACCO BATTERIA

- Durante la ricarica, è normale che il caricabatteria e la batteria siano caldi.
- Non caricare un pacco batteria danneggiato e non smontare il caricabatteria o il pacco batteria.

- Caricare la batteria solo entro l'intervallo di temperatura specificato.
- Non posizionare il pacco batteria vicino a fonti di calore ad alta temperatura, il pacco batteria potrebbe esplodere in un incendio o una lunga esposizione a una fonte di calore ad alta temperatura.
- Non caricare la batteria in un ambiente all'aperto o umido.

### CONSERVAZIONE DEL PACCO BATTERIA

- Per garantire una buona conservazione del pacco batteria, mantenersi entro l'intervallo di temperatura specificato.
- Se l'apparecchiatura non viene utilizzata per molto tempo, rimuovere e caricare la batteria prima di riporla.
- Si consiglia di riporre la batteria e il caricabatteria nella cassetta degli attrezzi durante lo stoccaggio.
- La batteria deve essere conservata in un ambiente asciutto e lontano da sostanze infiammabili.

### USO E CURA DEL CARICABATTERIE



#### ATTENZIONE !!

Utilizzare il caricatore originale per garantire la sicurezza dell'apparecchiatura.

Utilizzare solo un caricabatteria in buone condizioni e non tentare mai di utilizzare un caricabatteria difettoso.

Assicurarsi che la tensione di alimentazione corrisponda alla tensione nominale della targa del caricatore.

Scollegare il caricabatteria dall'alimentazione quando non è in uso.

Non utilizzare il caricabatteria in un ambiente esterno o umido. L'ingresso di sporco o acqua aumenterà il rischio di scosse elettriche.

Il caricabatteria deve essere utilizzato solo per caricare la batteria originale, altrimenti potrebbe causare lesioni personali e incendi.

Evitare qualsiasi danno al caricabatteria, un caricabatteria danneggiato può aumentare il rischio di scosse elettriche.

Non utilizzare i caricatori su superfici infiammabili (ad es. carta, tessuti)

Se il cavo di alimentazione del caricabatteria è danneggiato, deve essere sostituito da personale qualificato.

### MANUTENZIONE



#### AVVERTIMENTO!!

Scollegare la batteria prima di qualsiasi intervento di manutenzione

### PULIZIA GENERALE DOPO OGNI BOBINA E FINITA

Lo strumento deve essere pulito con un panno umido.

Utilizzare un pennello o uno spazzolino per spazzolare via i corpi estranei nella corsia di guida, nella ruota torcente e nel caricatore.

! Non utilizzare alcun detergente, altrimenti potrebbe causare danni permanenti allo strumento.



## OLIO E LUBRIFICAZIONE DOPO OGNI GIORNO DI LAVORO

Utilizzare un buon olio multigrado, ad esempio 3-IN-ONE o 15W-40. Lubrificare ogni giunto mobile e la taglierina, vedere figura A13.

## SOSTITUZIONE DEL DISPOSITIVO DI ALIMENTAZIONE

Quando la ruota di alimentazione non alimenta più il filo, si consiglia di sostituirla. Numero parte del kit: 5001602

## SOSTITUZIONE DEL DISPOSITIVO TWIST & HOOK

Nel caso in cui la ruota di torsione smetta di torcere o si finiscano con brutte torsioni, si consiglia di sostituirla. Numero parte del kit: 5001603

## SOSTITUZIONE DEL DISPOSITIVO FRENO

Quando l'O-ring tra il freno rotante e il mozzo del freno fisso è usurato, si consiglia di sostituirlo. Numero parte del kit: 5001604

## LISTA DEI PEZZI DI RICAMBIO

### KIT A: DISPOSITIVO DI TAGLIO ART. NR. 5001601

| POSIZIONE | DESCRIZIONE       | QUANTITÀ |
|-----------|-------------------|----------|
| 76.       | Lama fissa        | 1        |
| 77.       | Blocco guida lama | 1        |
| 81.       | Lama mobile       | 1        |

### KIT B: DISPOSITIVO DI ALIMENTAZIONE ARTE N 5001602

| POSIZIONE | DESCRIZIONE         | QUANTITÀ |
|-----------|---------------------|----------|
| 80.       | Ruota in gomma      | 3        |
| 64.       | Anello di sicurezza | 3        |

### KIT C: DISPOSITIVO TWIST & HOOK ART. NR. 5001603

| POSIZIONE | DESCRIZIONE       | QUANTITÀ |
|-----------|-------------------|----------|
| 61.       | Ruota a pacco     | 1        |
| 62.       | Vite esagonale    | 1        |
| 68.       | Gancio principale | 1        |
| 69.       | Spillo            | 1        |
| 54.       | Blocco guida      | 1        |

### KIT D: DISPOSITIVO FRENO ARTE N 5001604

| POSIZIONE | DESCRIZIONE        | QUANTITÀ |
|-----------|--------------------|----------|
| 5.        | Vite a testa       | 1        |
| 6.        | Guarnizione Piatta | 1        |
| 8.        | Squillare          | 1        |
| 11.       | Gruppo musicale    | 1        |

### KIT E: FORBICI ARTE N 5001605

## INFORMAZIONI AGGIUNTIVE DEL SERVIZIO

Guarda [www.rapid.com](http://www.rapid.com)

## GARANZIE

### I. PERIODO DI GARANZIA

Questo prodotto RAPID è garantito per tre (3) anni dalla garanzia del produttore (o dalla garanzia commerciale), dalla data di acquisto dell'utente finale (parti soggette a usura, accessori, batterie e

caricabatterie esclusi). Le batterie e i caricatori sono garantiti per due (2) anni. Per estendere la garanzia dello strumento a cinque (5) anni, registrati online su [www.rapid.com](http://www.rapid.com) o scansiona il codice QR. Tieni sotto mano il tuo strumento e la ricevuta di acquisto

### II. CONDIZIONI DI GARANZIA

Ai sensi della garanzia del produttore, non possono essere rivendicati come difetti quelli eventualmente derivanti da utilizzo anomalo o da condizioni di utilizzo diverse da quelle previste, in particolare per quanto riguarda i punti indicati in questo manuale utente. La garanzia non si applica inoltre in caso di danneggiamenti conseguenti ad urti, cadute, negligenza, mancata supervisione e/o manutenzione. Qualsiasi alterazione, trasformazione o modifica effettuata dall'utente finale sui prodotti rende nulla la garanzia. Le parti soggette ad usura, gli accessori e/o i materiali di consumo non sono mai coperti da garanzia.

Sono considerati accessori, parti soggette a usura o materiali di consumo:

la custodia e l'imballaggio per il trasporto, le bobine di filo e i kit di parti di ricambio (da KIT A a KIT E) inclusi in questo manuale utente.

### III. RECLAMO IN GARANZIA

Il periodo di garanzia decorre dalla data di acquisto dell'utente finale.

In caso di reclamo in garanzia, il prodotto deve essere restituito nella sua custodia originale (batterie e caricabatteria inclusi) insieme ad una copia della ricevuta di acquisto nella quale si veda la data.

## SMALTIMENTO DELLA BATTERIA

Le batterie scariche dovranno essere rimosse dal dispositivo e smaltite correttamente.

Le batterie non possono essere smaltite con i normali rifiuti domestici in quanto possono contenere metalli pesanti tossici e sono soggette alle normative sui rifiuti pericolosi.

Per questo motivo bisogna smaltire le batterie usate presso i punti di raccolta preposti



2012/19/EU

IT Rifiuti di apparecchiature elettriche ed elettroniche (RAEE)

I dispositivi elettrici ed elettronici contengono materiali e sostanze che possono avere effetti dannosi sulla salute umana e sull'ambiente. Questo simbolo indica che il dispositivo non deve essere trattato come rifiuto indifferenziato municipale, ma deve essere smaltito separatamente. Smaltire il dispositivo presso un punto di raccolta per il riciclaggio di dispositivi elettrici ed elettronici nell'UE, nel Regno Unito e in altri Paesi Europei che gestiscono sistemi di raccolta differenziata per i rifiuti di tali dispositivi. Smaltendo il dispositivo in maniera adeguata si contribuisce ad evitare possibili pericoli per l'ambiente e per la salute che potrebbero altrimenti essere causati da un trattamento improprio dei rifiuti. Il riciclaggio dei materiali contribuisce alla salvaguardia delle risorse naturali.

# BHX50 ATADORA A BATERÍA

## Traduzione delle istruzioni originali

ES

### DESCRIPCIÓN DE LAS PIEZAS

- A. Atadora
- A1. Gancho guía
- A2. Placa de prensado de la cinta
- A3. Rueda de torsión
- A4. Luz LED
- A5. Gatillo
- A6. Bandeja de alimentación
- A7. Carrete
- A8. Correa elástica
- A9. Selector de giro - menos
- A10. Pantalla
- A11. Selector de giro - más
- A12. Botón de encendido
- A13. Lubricación
- B. Batería de litio
- B1. Botón de liberación de la batería
- B2. Conector de entrada de la batería
- C. Cargador de batería
- C1. Enchufe de conexión a la red
- C2. Indicador LED del cargador
- C3. Tomas de conexión
- D. Tijeras
- E2. Carga de la batería
- F. Símbolos
- F1. Lea atentamente todas las advertencias e instrucciones de seguridad.
- F2. La batería sólo puede cargarse en interiores
- F3. Doble aislamiento, no se requiere conexión a tierra.
- F4. Cargador de seguridad a prueba de fallos.
- F5. La carga de la batería se interrumpe automáticamente cuando se produce un sobrecalentamiento.
- F6. No utilizar ni exponer la atadora en caso de lluvia.
- F7. Los equipos eléctricos no pueden desecharse con la basura doméstica.
- F8. Nunca ponga en contacto objetos cargados con las tijeras eléctricas.
- F9. Utilizar protección para los ojos y los oídos.
- F10. Utilizar guantes de protección.
- F11. Símbolo de advertencia, con información sobre daños personales

### INTRODUCCIÓN

Esta herramienta está diseñada para atar sarmientos en viñedos con un diámetro máximo de 25 mm.

La atadora debe utilizarse únicamente para los fines previstos.

En caso de utilizarse para otros fines no aprobados, se puede dañar la herramienta y causar daños al usuario.

Esta herramienta sólo debe ser utilizada por adultos o por menores bajo la supervisión de adultos.

34

El operario o el usuario asumirán toda la responsabilidad por los daños a terceros o a la propiedad causados por cualquier accidente que se produzca durante el uso.

El fabricante no se hace responsable de los daños causados por un uso no previsto o inadecuado.

### ESPECIFICACIONES TÉCNICAS

|  |   |
|--|---|
| Atadora a batería, modelo                          | BHX50   |
| Tipo de carrete                                    | Cinta de papel o plástico   |
| Capacidad del cargador, máx.                       | 100 m   |
| Capacidad máxima de atado                          | 25 mm   |
| Dimensiones de la herramienta H x W x L            | 240 x 75 x 310 mm   |
| Peso   | 1,065 kg (batería incluida)   |
| Modelo de batería, tipo, voltaje                   | Modelo desmontable KH-BT16BX, Li-Ion, 14,4V   |
| Capacidad de la batería, potencia, potencia máxima | 2500 mAh, 100W, 500W  |
| Condiciones de carga de la batería                 | +4°C a +40°C  |
| Condiciones de almacenamiento de la batería        | -20°C a +50°C   |
| Cargador de batería                                | 100-240V A.C, 50-60Hz, entrada de 0,5A 16,8V D.C, 1,42A, terminales para dos baterías, carga en secuencia |
| Tiempo de carga                                    | 120 minutos/cada batería  |
| Ataduras por carga, máx.                           | ≈ 9000 ataduras   |
| Velocidad de atado, máxima continua                | 12 atados/ min  |
| Condiciones de funcionamiento                      | +4°C a +40°C  |

### ADVERTENCIAS DE SEGURIDAD PARA HERRAMIENTAS ELÉCTRICAS

**!!!ADVERTENCIA!!!** Leer todas las advertencias de seguridad, instrucciones, ilustraciones y especificaciones suministradas con esta herramienta eléctrica.



**No hacerlo así podría acarrear consecuencias como descargas eléctricas, incendios y lesiones graves.**

**Guarde este manual para futuras consultas.**

El término "herramienta eléctrica" en las advertencias se refiere a su herramienta, que puede funcionar conectada a la red eléctrica (con cable) o con batería (sin cable).

#### 1) SEGURIDAD EN EL ÁREA DE TRABAJO

- a) **Mantenga el área de trabajo limpia y bien iluminada.** Los espacios desordenados o mal iluminados son potencialmente peligrosos.

- b) **No utilice herramientas eléctricas en entornos con peligro de explosión, ni en presencia de líquidos, gases o partículas inflamables.** Las herramientas eléctricas producen chispas que pueden llegar a inflamar los materiales en polvo o vapores.
- c) **Mientras usa una herramienta eléctrica, mantenga a espectadores, niños y otras personas alejados de su área de trabajo.** Las distracciones podrían hacerle perder el control de la herramienta.

## 2) SEGURIDAD ELÉCTRICA

- a) **El enchufe de la herramienta debe corresponder a la toma de corriente utilizada. Jamás modifi que el enchufe en forma alguna.** Nunca use adaptadores de enchufe en herramientas con toma de tierra. Los enchufes no alterados y sus tomas de corriente respectivas reducen el riesgo de descargas eléctricas.
- b) **Evite tocar con el cuerpo las superficies conectadas a tierra, como tuberías, radiadores, cocinas y frigoríficos.** Hay mayor riesgo de descargas eléctricas si su cuerpo está conectado a tierra.
- c) **No exponga las herramientas eléctricas a la lluvia ni a la humedad.** Si penetra agua en la herramienta aumentará el riesgo de recibir descargas eléctricas.
- d) **No maltrate el cable. Nunca use el cable de alimentación para desenchufar, transportar o tirar de una herramienta eléctrica.** Mantenga el cable lejos de fuentes de calor, aceite, bordes cortantes y piezas en movimiento. Los cables dañados o enredados aumentan el riesgo de descargas eléctricas.
- e) **Cuando trabaje con herramientas eléctricas a la intemperie, únicamente utilice cables alargadores homologados para uso en exteriores.** La utilización de cables de prolongación para uso a la intemperie reduce el riesgo de descargas eléctricas.
- f) **Si es inevitable usar una herramienta eléctrica en un lugar húmedo, utilice un suministro eléctrico protegido por un dispositivo de corriente residual (RCD).** El uso de un RCD reduce el riesgo de una descarga eléctrica.

## 3) SEGURIDAD PERSONAL

- a) **Mientras usa herramientas eléctricas, ponga atención en lo que hace y use el sentido común. No utilice ninguna herramienta eléctrica si siente cansancio o está bajo los efectos del alcohol, drogas o medicamentos.** Un instante de distracción mientras se usa una herramienta eléctrica puede provocar lesiones personales graves.
- b) **Use equipo de protección personal. Lleve siempre gafas de protección.** El riesgo de lesiones se reduce considerablemente si se utiliza equipo de protección adecuado como mascarillas antipolvo, zapatos de seguridad con suela antideslizante, casco y protectores auditivos.
- c) **Evite una puesta en marcha fortuita. Cerciorarse de que el interruptor está en posición de apagado antes de conectar a la red eléctrica**

**o a las baterías, agarrar o transportar la herramienta.** Si transporta una herramienta eléctrica con el dedo en el interruptor de encendido o de activación podría producirse un accidente.

- d) **Retire las llaves de ajuste antes de conectar la herramienta eléctrica.** Una llave de ajuste unida a una pieza giratoria de la herramienta eléctrica podría producir lesiones graves.
- e) **No se estire demasiado. Trabaje sobre una base firme y mantenga el equilibrio en todo momento.** Ello le permitirá controlar mejor la herramienta eléctrica en situaciones inesperadas.
- f) **Use vestimenta adecuada. No utilice ropa suelta ni joyas.** Mantenga el pelo, la ropa y los guantes alejados de las piezas móviles. La ropa suelta, las joyas y el pelo largo se podrían enganchar en las piezas en movimiento.
- g) **Siempre que sea posible utilizar equipos de aspiración y extracción de polvo, asegúrese de instalarlos y usarlos correctamente.** El empleo de esos equipos puede reducir los riesgos derivados del polvo.
- h) **No permita que la familiaridad adquirida por el uso frecuente de las herramientas le haga relajarse e ignorar los principios de seguridad de las herramientas.** Una acción descuidada puede causar lesiones graves en una fracción de segundo.

## 4) USO Y CUIDADO DE HERRAMIENTAS ELÉCTRICAS

- a) **No sobrecargue las herramientas. Use la herramienta adecuada para cada aplicación.** Con la herramienta correcta podrá trabajar mejor y con mayor seguridad conforme a las especificaciones de diseño.
- b) **No utilice herramientas eléctricas si su interruptor está estropeado.** Cualquier herramienta eléctrica que no se pueda encender/apagar con su interruptor será peligrosa y deberá repararse.
- c) **Desconecte el enchufe de alimentación eléctrica o la batería de la herramienta eléctrica antes de realizar ajustes, cambiar los accesorios o guardarla.** Estas medidas preventivas reducen el riesgo de activar accidentalmente la herramienta.
- d) **Las herramientas que no se utilizan deben guardarse fuera del alcance de los niños y de las personas no familiarizadas con su uso y con estas instrucciones.** Las herramientas pueden ser peligrosas en manos no cualificadas.
- e) **Mantenimiento de las herramientas eléctricas y los accesorios. Compruebe si las piezas están desalineadas o atascadas, hay piezas rotas o cualquier otra condición que pueda afectar al funcionamiento de la herramienta eléctrica.** Si está dañada, haga reparar la herramienta antes de usarla. Muchos accidentes son causados por herramientas eléctricas en mal estado.
- f) **Mantenga limpias y afiladas las herramientas de corte.** Los útiles mantenidos correctamente y con bordes afilados se pueden guiar y controlar mejor.
- g) **Utilice las herramientas eléctricas, los accesorios**

sorios, los útiles, etc. de acuerdo con estas instrucciones y tenga en cuenta las condiciones de trabajo y la tarea a realizar. Puede resultar peligroso el uso de herramientas eléctricas para trabajos diferentes a los previstos.

- h) **Mantener los mangos y las áreas de sujeción secos, limpios, libres de aceite y grasa.** Los mangos y las áreas de sujeción resbaladizos no permiten el manejo y el control seguro de la herramienta en situaciones inesperadas.
- 5) **USO Y CUIDADO DE LAS HERRAMIENTAS A BATERÍA**
- a) **Recargue sólo con el cargador especificado por el fabricante.** Un cargador que es adecuado para un tipo de batería puede crear un riesgo de incendio cuando se utiliza con otro tipo de batería.
- b) **Utilice las herramientas eléctricas sólo con las baterías específicamente designadas.** El uso de otro tipo de baterías puede provocar un riesgo de lesiones e incendios.
- c) **Cuando la batería no esté en uso, manténgala alejada de otros objetos metálicos, como clips, monedas, llaves, clavos, tornillos u otros objetos metálicos pequeños, que puedan hacer una conexión de un terminal a otro.** Un cortocircuito entre los terminales de la batería puede causar quemaduras o un incendio.
- d) **En condiciones adversas, puede salir líquido de la batería. Evite el contacto con él. En caso de contacto accidental, enjuagar el área afectada con abundante agua.** En caso de un contacto con los ojos, busque además ayuda médica. El líquido de la batería puede irritar la piel o producir quemaduras.
- e) **No utilice una batería o herramienta que esté dañada o modificada.** Las baterías dañadas o modificadas pueden presentar un comportamiento imprevisible que provoque un incendio, una explosión o un riesgo de lesiones.
- f) **No exponga la batería o la herramienta al fuego o a una temperatura excesiva.** La exposición al fuego o a una temperatura superior a 130°C puede provocar una explosión.
- g) **Siga todas las instrucciones de carga y no cargue la batería o la herramienta fuera del rango de temperatura especificado en las instrucciones.** La carga inadecuada o a temperaturas fuera del rango especificado puede dañar la batería y aumentar el riesgo de incendio.
- 6) **MANTENIMIENTO Y REPARACIÓN**
- a) **Haga reparar su herramienta eléctrica únicamente por profesionales cualificados y con piezas de repuesto originales.** Solo así se mantendrá la seguridad de la herramienta eléctrica.
- b) **No repare nunca las baterías dañadas.** El mantenimiento de las baterías debe ser realizado únicamente por el fabricante o por proveedores de servicios autorizados.

#### ADVERTENCIAS DE SEGURIDAD DE LA ATADORA



**¡ADVERTENCIA!**

1. No retirar la tapa frontal en el momento de la operación. Para evitar daños personales, mantener la boquilla de atado alejada de cualquier parte del cuerpo.
2. Una vez finalizada la operación de atado, cambiar la herramienta a la siguiente posición de funcionamiento de forma cuidadosa. El uso cuidadoso de la herramienta protegerá al operario y prolongará la vida útil de la atadora.
3. No utilizar la atadora con lluvia, si entra agua en la herramienta puede estropearla.
4. El producto está diseñado para atar vides y otras ramas dentro del rango efectivo de 25 mm de diámetro máximo. El funcionamiento fuera de este rango puede dañar la herramienta o reducir su vida útil.
5. Desconectar la corriente antes de intentar retirar un atasco en el gancho de alimentación o en la cinta de atar.
6. Asegurarse de que hay suficiente espacio para que el gancho de alimentación se mueva, si hay alguna dificultad de movimiento el atado puede ser deficiente.
7. No utilizar la herramienta cerca de líquidos o gases inflamables. Si se produce un cortocircuito, puede provocar una explosión o un incendio.
8. El sistema de alimentación debe ser revisado y limpiado con frecuencia. Si se acumulan materiales extraños en la guía de alimentación, afectará al funcionamiento del atado y aumentará la carga del equipo. La garantía del producto no cubre los daños causados por un mantenimiento incorrecto.
9. No intentar reparar la herramienta uno mismo, a no ser que se tenga formación. Las operaciones de reparación no mencionadas en este manual sólo pueden ser realizadas por personal cualificado.

#### EMISIÓN DE RUIDO/VIBRACIÓN

- Nivel de presión sonora ponderado A  $L_{pA}$  = 70,5 dB(A), umbral  $K$  = 3 dB(A). Nivel de potencia sonora ponderado A  $L_{wA}$  = 81,5 dB(A), umbral  $K$  = 3 dB(A). Recomendación de que el operario utilice protección auditiva.
- Valor total de las vibraciones = 1,125 m/s<sup>2</sup>, umbral  $K$  = 1,5 m/s<sup>2</sup>. El valor total de vibración declarado se ha medido de acuerdo con un método de ensayo estándar y puede utilizarse para comparar una herramienta con otra. El valor total de vibración declarado también puede utilizarse en una evaluación preliminar de la exposición.



**¡ADVERTENCIA!**

La emisión de vibraciones durante el uso real de la herramienta eléctrica puede diferir del valor total declarado en función de las formas de uso de la herramienta.

Es necesario definir las medidas de seguridad para proteger al operario basándose en una estimación de la exposición en las condiciones reales de uso (teniendo en cuenta todas las partes del ciclo de funcionamiento, como los momentos en que la herramienta está apagada y cuando está en reposo, además del tiempo de activación).

## TUTORIALS

Escanee el código QR en la parte delantera del manual o vaya a [www.rapid.com](http://www.rapid.com) para beneficiarse de una extensión de la garantía de 2 años y acceder a nuestros vídeos tutoriales:

- Cómo cambiar los carretes;
- Cómo manejar la herramienta;
- Cómo sustituir las piezas de desgaste.

## FUNCIONAMIENTO Y USO

### ENCENDER LA ATADORA

Asegurarse de que la herramienta está en buenas condiciones de funcionamiento.

Insertar una batería cargada en el conector de alimentación de la atadora

Pulsar el botón de encendido, la pantalla se ilumina y escuchará un pitido largo, 3 cortos y uno largo.

### PROCESO DE ATADO

Colocar las ramas dentro del gancho de atado

Presionar el gatillo para realizar el atado


Soltar el gatillo y retirar la herramienta de la rama

Repetir la operación para realizar el siguiente atado

### CARGAR NUEVO CARRETE CON CORTE INTELIGENTE

#### ¡¡¡ATENCIÓN!!! SIGA ESTOS 8 PASOS PARA RECARGAR CORRECTAMENTE LA HERRAMIENTA


1. Dejar de atar cuando queden 4-5 vueltas de cinta en la bobina; ver imagen G1
2. Mantener pulsado el gatillo durante 4-5 seg. hasta que el gancho de guía se bloquee en la posición activa, luego soltar. Se activa el corte inteligente; ver imagen G2  
No apagar la máquina y no apretar el gatillo todavía  
Abrir la palanca de bloqueo y retirar la cubierta exterior
3. Retirar el carrete usado con la cinta restante y atar en la boquilla del gancho; ver imagen G3
4. Ahora presionar el gatillo una vez para desactivar el corte inteligente, y retirar la cinta de la boquilla del gancho; ver la imagen G4
5. Colocar el nuevo carrete directamente en el cargador. Retirar el "adhesivo de la cinta"; ver la imagen G5.
6. Insertar el cable/cinta en la boquilla de alimentación hasta que llegue al tope final, y presionar el gatillo para que avance el cable/cinta insertado; ver la imagen G6

 Asegurarse de que el cable/cinta se inserta desde arriba y no desde abajo. Asegurarse también de que el cable/cinta no esté retorcido ni anudado.

7. Retirar el adhesivo; ver imagen G7
8. Volver a colocar la tapa del carrete y presionar el gatillo hasta obtener un atado aceptable; ver imagen G8

### AJUSTE DEL NIVEL DE TORSIÓN

Para que los nudos sean adecuados para el tipo de ramas que se atan, se puede ajustar el número de torsiones seleccionando "Nivel de torsión".

| Selector de giro  |   |   |   |   |
|---|---|---|---|---|
| Nivel de giro  | 1 | 2 | 3 | 4 |
| Número de giros   | 2 | 3 | 4 | 5 |

## FALLOS INDICADOS POR PITIDOS

| Frecuencia del sonido del pitido | Fallo                            | Forma de solucionarlo                           |
|----------------------------------|----------------------------------|---|
| Un solo pitido                   | Fallo de capacidad de la batería | Compruebe si la capacidad de la batería es baja |
| Varios pitidos                   | Fallo interno de la herramienta  | La herramienta necesita un servicio técnico     |

## USO Y CUIDADO DE LA BATERÍA



### ¡¡¡PRECAUCIÓN!!!

1. Utilizar únicamente el cargador de baterías suministrado junto con la herramienta, el uso de otros cargadores puede provocar incendios.
2. Usar, cargar o almacenar el pack de baterías únicamente dentro del rango de temperatura especificado.
3. Por debajo de +4C°, la capacidad de la batería puede verse afectada y reducir el número de ciclos.
4. No cortocircuitar el pack de baterías y asegurarse de mantener los elementos conductores alejados del mismo cuando no se utilice.
5. No desmontar el pack de baterías.
6. No usar el pack de baterías cerca de ninguna fuente de calor.
7. No exponer el pack de baterías al fuego o al agua.
8. No provocar ningún daño al pack de baterías.
9. No utilizar un pack de baterías que esté dañado, deformado u oxidado.
10. No realizar soldaduras en el pack de baterías.
11. No utilizar el pack de baterías en aparatos que no sean la herramienta designada.
12. No colocar el pack de baterías en el horno microondas.
13. No utilizar un pack de baterías que tenga fugas.
14. Mantener el pack de baterías fuera del alcance de los NIÑOS.
15. En caso de entrar en contacto con un pack de baterías con fugas, lavarse inmediatamente con agua limpia.

### CARGA DE LA BATERÍA

Conectar la batería al cargador y enchufarlo a la toma de corriente. El indicador LED del cargador se pondrá de color ROJO durante la carga y se pondrá de color VERDE cuando la batería esté completamente cargada, véase la imagen E2.



### ¡¡¡PRECAUCIÓN!!!

### CARGA DE LA BATERÍA

1. Durante la carga, es normal que el cargador y la batería estén calientes.
2. No cargar un pack de baterías dañado y no desmontar el cargador o el pack de baterías.
3. Cargar el pack de baterías sólo dentro del rango de temperatura especificado.
4. No colocar el pack de baterías cerca de una

fente de calor de temperatura elevada, el pack de baterías puede explotar en caso de incendio o de una larga exposición a una fuente de calor de temperatura elevada.

5. No cargar el pack de baterías en un entorno exterior o húmedo.

#### ALMACENAMIENTO DEL PACK DE BATERÍAS

1. Para asegurar un buen almacenamiento del pack de baterías, mantenerlo dentro del rango de temperatura especificado.
2. Si el equipo no se utiliza durante mucho tiempo, extraer y cargar el pack de baterías antes de guardarlo.
3. Se recomienda guardar la batería y el cargador en la caja de la herramienta.
4. La batería debe guardarse en un entorno seco y alejado de cualquier sustancia inflamable.

### USO Y CUIDADO DEL CARGADOR



#### !!!PRECAUCIÓN !!!

Utilizar el cargador original para garantizar la seguridad del equipo.

Utilizar únicamente un cargador en buen estado y no utilizar nunca un cargador defectuoso.

Asegurarse de que la tensión de alimentación coincide con la tensión nominal de la placa de características del cargador.

Desconectar el cargador de la red eléctrica cuando no se utilice.

No usar el cargador en un entorno exterior o húmedo. La entrada de suciedad o agua aumenta el riesgo de descarga eléctrica.

El cargador sólo se utilizará para cargar la batería original, de lo contrario podría provocar daños personales y causar un incendio.

Evitar cualquier daño en el cargador, un cargador dañado puede aumentar el riesgo de descarga eléctrica.

No utilizar los cargadores sobre superficies inflamables (por ejemplo, papel, textiles)

Si el cable de alimentación del cargador está dañado, debe ser sustituido por personal cualificado

### MANTENIMIENTO



#### !!!ADVERTENCIA!!!

Desconectar la batería antes de efectuar cualquier tipo de mantenimiento

#### LIMPIEZA GENERAL DESPUÉS DE QUE SE ACABE EL CARRETE

La herramienta se limpiará con un paño húmedo.

Utilizar un pincel o similar para eliminar las materias extrañas en el carril de guía, la rueda giratoria y la bandeja de alimentación.

¡No utilizar ningún producto de limpieza, de lo contrario se podrían causar daños permanentes en la herramienta!

#### ACEITE Y LUBRICACIÓN DESPUÉS DE CADA JORNADA DE TRABAJO

Utilizar un buen aceite multigrado, por ejemplo 3-EN-ONE o 15W-40. Lubricar cada una de las juntas

móviles y la cuchilla, ver imagen A13.

#### SUSTITUCIÓN DEL DISPOSITIVO DE ALIMENTACIÓN

Cuando la rueda de avance ya no arrastra el alambre, se recomienda su sustitución. Número de pieza del kit: 5001602

#### SUSTITUCIÓN DEL DISPOSITIVO DE GIRO Y EL GANCHO

En caso de que la rueda de torsión deje de girar o acabe con malas torsiones, se recomienda una sustitución. Número de pieza del kit: 5001603

#### SUSTITUCIÓN DEL DISPOSITIVO DE BLOQUEO

En caso de que la junta tensora entre el freno giratorio y el eje del freno fijo esté desgastada, se recomienda su sustitución. Número de pieza del kit: 5001604

#### LISTA DE RECAMBIOS

##### KIT A: SISTEMA DE CORTE REFERENCIA 5001601

| POSICIÓN | DESCRIPCIÓN            | CANTIDAD |
|----------|------------------------|----------|
| 76.      | Cuchilla fija          | 1        |
| 77.      | Soporte de la cuchilla | 1        |
| 81.      | Cuchilla móvil         | 1        |

##### KIT B: SISTEMA DE ALIMENTACIÓN REFERENCIA 5001602

| POSICIÓN | DESCRIPCIÓN   | CANTIDAD |
|----------|---------------|----------|
| 80.      | Rueda de goma | 3        |
| 64.      | Clip          | 3        |

##### KIT C: SISTEMA DE GIRO Y ENGANCHE REFERENCIA 5001603

| POSICIÓN | DESCRIPCIÓN        | CANTIDAD |
|----------|--------------------|----------|
| 61.      | Rueda de arrastre  | 1        |
| 62.      | Tornillo hexagonal | 1        |
| 68.      | Gancho principal   | 1        |
| 69.      | Pasador            | 1        |
| 54.      | Soporte de guía    | 1        |

##### KIT D: SISTEMA DE FRENO REFERENCIA 5001604

| POSICIÓN | DESCRIPCIÓN        | CANTIDAD |
|----------|--------------------|----------|
| 5.       | Tornillo de cabeza | 1        |
| 6.       | Junta plana        | 1        |
| 8.       | Anillo             | 1        |
| 11.      | Correa             | 1        |

##### KIT E: TIJERAS

REFERENCIA 5001605

#### PARA MÁS INFORMACIÓN

Consultar [www.rapid.com](http://www.rapid.com)

### GARANTÍA

#### I. PERÍODO DE GARANTÍA

Este producto RAPID está garantizado durante tres (3) años bajo la garantía del fabricante (o garantía comercial), a partir de la fecha de entrega al usuario final (piezas de desgaste, accesorios, baterías y cargadores excluidos). Las baterías y los cargadores tienen una garantía de dos (2) años. Para ampli-

ar la garantía de la herramienta a cinco (5) años, regístrese en línea en [www.rapid.com](http://www.rapid.com) o escanee el código QR. Tenga a mano su herramienta y el recibo de compra

## II. CONDICIONES DE LA GARANTÍA

No se puede reclamar bajo la garantía del fabricante ningún producto utilizado anormalmente o en condiciones diferentes a las previstas, especialmente en lo que respecta a los puntos indicados en este manual de usuario. La garantía tampoco se aplica en caso de golpes, caída, negligencia, falta de supervisión y/o mantenimiento. Cualquier alteración, transformación o modificación realizada en los productos por el usuario final hace que la garantía quede obsoleta. Las piezas de desgaste, los accesorios y/o los consumibles no están nunca cubiertos por la garantía.

Se consideran accesorios, piezas de desgaste o consumibles:

El maletín de transporte y el embalaje, los carretes de alambre y los kits de piezas de repuesto (KIT A - KIT E) incluidos en este manual de usuario.

## III. RECLAMACIÓN EN GARANTÍA

El período de garantía comienza a partir de la fecha de entrega al usuario final.

En caso de reclamación en garantía, el producto debe ser devuelto en su caja original (baterías y cargador incluidos) junto con una copia del justificante de compra original fechado.

## ELIMINACIÓN DE LA BATERÍA

Las pilas agotadas deben retirarse del dispositivo y desecharse en el lugar adecuado

Las baterías no pueden eliminarse con los residuos domésticos habituales, ya que pueden contener metales pesados tóxicos y están sujetas a la normativa sobre residuos peligrosos.

Por este motivo, deseche las pilas usadas en un punto de recogida local.



2012/19/EU

ES Residuos de aparatos eléctricos y electrónicos (RAEE)

Los dispositivos eléctricos y electrónicos contienen materiales y sustancias que pueden tener efectos nocivos para la salud humana y el medio ambiente. El símbolo que aparece en el dispositivo, los accesorios o el embalaje indica que no debe tratarse como residuo doméstico, sino que debe desecharse por separado. Deposite el dispositivo en un punto limpio para que se recicle como equipo eléctrico y electrónico en los países de la UE y otros países de Europa que utilizan sistemas de recogida específicos para equipos eléctricos y electrónicos desechados. Al desechar el dispositivo del modo correcto, ayuda a evitar posibles peligros para el medio ambiente y la salud pública que, de otro modo, podrían producirse como consecuencia de un tratamiento inadecuado de los equipos desechados. El reciclaje de los materiales ayuda a conservar los recursos naturales.

## BHX50 ATADORA A BATERIA

Tradução das instruções originais

PT

### LISTAGEM DE PEÇAS

- A. Atadora a bateria
- A1. Gancho guia
- A2. Placa de pressão
- A3. Roda giratória
- A4. Luz LED
- A5. Gatilho
- A6. Tabuleiro de alimentação
- A7. Bobina
- A8. Cinta elástica
- A9. Selector de torção - menos
- A10. Ecrã
- A11. Selector de torção - mais
- A12. Botão ligar/desligar
- A13. Lubrificação
- B. Bateria de lítio
- B1. Botão de libertação da bateria
- B2. Conexão da bateria
- C. Carregador de bateria
- C1. Ficha de ligação à tomada
- C2. Indicador LED do carregador
- C3. Ficha de ligação à bateria
- D. Tesoura
- E2. Carregamento da bateria
- F. Símbolos

- F1. Por favor, leia atentamente todas os avisos e instruções de segurança.
- F2. A bateria só pode ser carregada no interior.
- F3. Duplo isolamento, ligação terra não exigida.
- F4. Carregador de transformador à prova de falhas de energia.
- F5. O carregamento da bateria será automaticamente interrompido se existir sobreaquecimento.
- F6. Não expor ou utilizar a atadora em condições de chuva.
- F7. O equipamento eléctrico não pode ser descartado com o lixo doméstico.
- F8. Nunca tocar em objectos com tensão eléctrica com a tesoura.
- F9. Usar protecção ocular e auditiva.
- F10. Usar luvas de protecção.
- F11. Símbolo de aviso, com informação sobre danos pessoais

### INTRODUÇÃO

Esta ferramenta destina-se a atar rebentos de vinha em vinhas com um diâmetro máximo de 25mm.

A máquina de amarrar deve ser utilizada apenas para os fins previstos.

Se esta ferramenta for utilizada para outros fins não aprovados, pode causar danos à ferramenta e ao utilizador.

Esta ferramenta só deve ser utilizada por adultos ou por jovens sob a supervisão de adultos.

O operador ou o utilizador assumirá total responsabilidade pelos danos causados a terceiros ou quaisquer danos materiais causados por qualquer acidente que ocorra durante a utilização.

O fabricante não será responsável por quaisquer danos causados por uma utilização não normal ou inadequada.

## ESPECIFICAÇÕES TÉCNICAS

|  |   |
|--|---|
| Atadora a bateria, número do modelo              | BHX50   |
| Tipo de bobina                                   | Atado de papel ou plástico  |
| Capacidade da bobina, máx.                       | 100 m   |
| Capacidade máxima de amarração                   | 25 mm   |
| Dimensões da ferramenta A x L x C                | 240 x 75 x 310 mm   |
| Peso   | 1,065 kg (incl. bateria)  |
| Modelo da bateria, tipo e voltagem               | Modelo amovível KH-B1A16BX, Li-Ion, 14.4V   |
| Capacidade da bateria, potência, potência máxima | 2500 mAh, 100W, 500W  |
| Condições de carregamento da bateria             | +4°C a +40°C  |
| Condições de armazenamento da bateria            | -20°C a +50°C   |
| Carregador de bateria                            | 100-240V A.C, 50-60Hz, entrada 0.5A 16.8V D.C, 1.42A, terminais para duas baterias, carregamento em sequência |
| Tempo de carregamento                            | 120 minutos/cada bateria  |
| Amarrações por carga, máx.                       | ≈ 9000 amarrações   |
| Velocidade de amarração, máxima contínua         | 12 nós/ min   |
| Condições de funcionamento                       | +4°C a +40°C  |

## ADVERTÊNCIAS GERAIS DE SEGURANÇA PARA FERRAMENTAS ELÉCTRICAS



**AVISO!! Leia todos os avisos de segurança, instruções, ilustrações e especificações fornecidas com esta ferramenta eléctrica.**

**Qualquer falha em seguir todas as instruções listadas abaixo pode resultar em choque eléctrico, incêndio e/ou lesões graves. Guarde todos os avisos e instruções para referência futura.**

O termo "ferramenta eléctrica" refere-se a uma ferramenta com funcionamento eléctrico (com fio) ou com funcionamento por bateria (sem fios).

### 1) SEGURANÇA NA ÁREA DE TRABALHO

- Mantenha a área de trabalho limpa e bem iluminada.** As áreas com confusão ou escuras são mais propícias a acidentes.
- Não trabalhe com ferramentas eléctricas em atmosferas explosivas, como pó, gases ou líquidos inflamáveis.** As ferramentas eléctricas criam faíscas que podem inflamar pó e fumos.

- Mantenha os curiosos, crianças e visitantes afastados quando estiver a trabalhar com ferramentas eléctricas.** As distrações podem levar a perda de controlo da ferramenta.

### 2) SEGURANÇA ELÉCTRICA

- As fichas das ferramentas eléctricas devem corresponder à tomada. Nunca efectue alterações na ficha.** Não utilize fichas adaptadoras com ferramentas eléctricas com ligação à terra. As fichas não modifi cadas e as tomadas adequadas reduzirão o risco de choque eléctrico.
- Evite o contacto do corpo com superfícies ligadas à terra como tubagens, radiadores, fogões e frigoríficos.** Existe um risco acrescido de choque eléctrico se o corpo estiver ligado à terra.
- Não exponha as ferramentas eléctricas à chuva ou a condições de humidade excessiva.** A entrada de água numa ferramenta eléctrica aumentará o risco de choque eléctrico.
- Não utilize o cabo eléctrico incorrectamente. Nunca utilize o cabo para transportar, puxar ou desligar a ferramenta eléctrica. Mantenha o cabo afastado de fontes de calor, combustíveis, arestas vivas ou peças móveis.** Os cabos danifi cados ou enrolados de forma emaranhada aumentam o risco de choque eléctrico.
- Quando utilizar a ferramenta eléctrica no exterior, utilize um cabo de extensão adequado a esse tipo de utilização.** A utilização de um cabo adequado para exteriores reduz o risco de choque eléctrico.
- Se a utilização de uma ferramenta eléctrica num local húmido for inevitável, use uma extensão protegida com interruptor corta-circuito em caso de falha na terra.** A utilização de um interruptor de circuito em caso de falha à terra reduz o risco de choque eléctrico.

### 3) SEGURANÇA PESSOAL

- Mantenha-se alerta, observe o que está a fazer e utilize bom senso quando trabalhar com uma ferramenta eléctrica.** Não utilize uma ferramenta eléctrica quando estiver cansado ou sob o efeito de drogas, álcool ou medicamentos. Um momento de desatenção durante a utilização de ferramentas eléctricas pode resultar em lesões pessoais graves.
- Utilize equipamento de protecção pessoal. Utilize sempre protecções nos olhos.** O equipamento de protecção como máscaras contra o pó, sapatos de segurança que não escorreguem, capacete ou protecção auditiva utilizado correctamente reduzirá as lesões pessoais.
- Evite os arranques não intencionais. Certifi que-se de que o interruptor está na posição de desligado antes de ligar a ferramenta à fonte de alimentação, agarrá-la ou transportá-la.** Transportar ferramentas eléctricas com o dedo no interruptor ou ligar à corrente ferramentas com o interruptor ligado convida aos acidentes.
- Retire qualquer chave ou ferramenta de ajuste antes de ligar a ferramenta eléctrica.** Uma ferramenta ou chave deixada num componente rotativo da ferramenta eléctrica pode resultar em



lesões pessoais.

- e) **Não ignore as regras. Mantenha sempre uma posição de equilíbrio.** Isto permite um melhor controlo da ferramenta eléctrica em situações inesperadas.
- f) **Utilize roupa adequada. Não utilize roupa solta nem qualquer peça de joalheria. Mantenha o cabelo, roupas e luvas afastados de componentes móveis.** Roupas soltas, jóias ou cabelos compridos podem fi car presos nos componentes móveis.
- g) **Se forem fornecidos dispositivos para ligação a aspirador e depósitos de recolha, certifi que-se de que estão ligados e são devidamente utilizados.** A utilização de recipientes de recolha de pó pode reduzir os perigos relacionados com o pó.
- h) **Não permita que a familiaridade adquirida com o uso frequente das ferramentas permita displicência e desvalorização dos princípios de segurança da ferramenta.** Uma ação descuidada pode causar ferimentos graves numa fração de segundo.

#### 4) UTILIZAÇÃO E CUIDADOS A TER COM A FERRAMENTA ELÉCTRICA

- a) **Não force a ferramenta eléctrica. Utilize a ferramenta eléctrica correcta para a aplicação a que destina.** Uma ferramenta eléctrica correcta fará um trabalho melhor e mais seguro à velocidade para que foi concebida.
- b) **Não utilize a ferramenta eléctrica se o interruptor não ligar e desligar.** Qualquer ferramenta eléctrica que não possa ser controlada com o interruptor é perigosa e deve ser reparada.
- c) **Desligue a fi cha da ferramenta eléctrica da fonte de alimentação e/ou da bateria antes de efectuar ajustes, mudar acessórios ou guardar a ferramenta.** Estas medidas de segurança preventivas reduzem o risco de arranque accidental da ferramenta eléctrica.
- d) **Coloque as ferramentas eléctricas fora do alcance das crianças, e não permita que pessoas não familiarizadas com a ferramenta eléctrica a utilizem.** As ferramentas eléctricas são perigosas nas mãos de pessoas sem a experiência adequada.
- e) **Manutenção das ferramentas eléctricas. Verifique se existe desalinhamento ou dobras nas peças móveis, quebra de peças ou qualquer outra condição que possa afectar o funcionamento da ferramenta.** Se estiver danifi cada, envie-a para reparação antes de a utilizar. Muitos acidentes são causados pela manutenção inadequada das ferramentas eléctricas.
- f) **Mantenha as ferramentas de corte afi adas e limpas.** As ferramentas de corte com arestas afi adas que tenham uma manutenção adequada bloqueiam mais raramente e são fáceis de controlar.
- g) **Utilize a ferramenta eléctrica, acessórios e pontas da ferramenta de acordo com estas instruções, tendo em conta as condições de trabalho e as tarefas a serem executadas.** A utilização da ferramenta eléctrica para tarefas diferentes daquelas para que foi concebida pode

resultar em situações perigosas.

- h) **Mantenha as alças e as superfícies de contacto secas, limpas e livres de óleos ou graxa.** Pegas e superfícies escorregadias não permitem manuseamento e controlo seguro da ferramenta em situações inesperadas.
- #### 5) UTILIZAÇÃO E MANUTENÇÃO DE BATERIAS
- a) **Apenas carregar baterias em carregadores recomendados pelo fabricante.** Existe perigo de incêndio se um carregador inapropriado for utilizado para carregar baterias.
  - b) **Só utilizar ferramentas eléctricas com baterias apropriadas.** A utilização de outras baterias pode levar a lesões e perigo de incêndio.
  - c) **Mantenha a bateria que não está sendo utilizada afastada de cliques, moedas, chaves, parafusos ou outros pequenos objectos metálicos que possam causar um curto-circuito dos contactos.** Um curto-circuito entre os contactos da bateria pode ter como consequência queimaduras ou fogo.
  - d) **Sob utilização incorrecta, a bateria pode verter liquido. Evitar o contacto. No caso de um contacto accidental, deverá enxaguar com água. Se o liquido entrar em contacto com os olhos, deverá consultar um médico.** O liquido que sai da bateria pode levar a irritações da pele ou a queimaduras.
  - e) **Não use uma bateria ou uma ferramenta danificada ou modificada.** As baterias danificadas ou modificadas exibem um comportamento imprevisível podendo causar incêndio, explosão ou risco de lesão.
  - f) **Não exponha a bateria ou a ferramenta ao fogo ou temperatura excessiva.** A exposição ao fogo ou a temperaturas acima de 130 °C pode causar explosão.
  - g) **Siga todas as instruções de carregamento e não carregue a bateria ou a ferramenta fora da faixa de temperatura especificada no manual de instruções.** Carregar indevidamente ou em temperaturas fora da faixa especificada pode danificar a bateria e aumentar o risco de incêndio.

#### 6) ASSISTÊNCIA TÉCNICA

- a) **A assistência técnica da ferramenta eléctrica deve ser efectuada por pessoal devidamente qualificado, utilizando apenas peças sobressalentes idênticas.** Este procedimento assegurará que é mantida a segurança da ferramenta eléctrica.
- b) **Nunca tente reparar baterias danificadas.** A reparação de baterias deve ser realizada apenas pelo fabricante ou agentes de assistência autorizados.

#### AVISOS DE SEGURANÇA DE ATADORA



#### AVISO!

1. Não retirar a tampa frontal no momento da operação. Para evitar danos pessoais, manter a parte da frente da atadora longe de qualquer parte do corpo.
2. Após terminar a operação de atar, mover a ferramenta para a próxima posição de operação

de uma forma cuidadosa. O manuseamento cuidadoso da ferramenta protegerá o operador e prolongará a vida útil da atadora.

3. Não utilizar a atadora à chuva, a água no interior da ferramenta pode danificá-la.
4. O produto é concebido para atar videiras e outros ramos dentro da gama efectiva de 25 mm de diâmetro máximo. O funcionamento fora da gama pode danificar a ferramenta ou reduzir a sua vida útil.
5. Desligue a atadora antes de qualquer tentativa de remover o gancho de alimentação ou nó preso.
6. Certifique-se de que há espaço suficiente para o gancho de alimentação se mover, se houver qualquer interferência no movimento, o resultado da amarração pode ser mau.
7. Não utilizar a ferramenta perto de quaisquer líquidos ou gases inflamáveis. Se ocorrer um curto-circuito, pode causar uma explosão ou fogo.
8. O sistema de alimentação deve ser verificado e limpo frequentemente. Se forem acumulados materiais estranhos na zona de alimentação, isso afectará a operação de atar e aumentará a carga do equipamento. A garantia do produto não cobre os danos causados pela manutenção errada.
9. Não tente reparar a ferramenta você mesmo, a menos que tenha a devida autorização. As operações de reparação não mencionadas neste manual só podem ser realizadas pelo pessoal do nosso centro de assistência técnica.

#### EMIÇÃO/VIBRAÇÃO DE RUÍDO

- Nível de pressão sonora ponderado A  $L_{pA} = 70,5$  dB(A), incerteza  $K=3$  dB(A). Nível de potência sonora ponderado A  $L_{wA} = 81,5$  dB(A), incerteza  $K=3$  dB(A). Recomendação para o operador de usar protecção auditiva.
- Valor total da vibração  $= 1,125$  m/s<sup>2</sup>, incerteza  $K=1,5$  m/s<sup>2</sup>. O valor total de vibração declarado foi medido de acordo com um método de teste padrão e pode ser utilizado para comparar uma ferramenta com outra. O valor total de vibração declarado também pode ser usado numa avaliação preliminar da exposição.



#### ADVERTÊNCIA!

A emissão de vibrações durante a utilização efectiva da ferramenta eléctrica pode diferir do valor total declarado, dependendo das formas como a ferramenta é utilizada.

É necessário identificar medidas de segurança para proteger o operador que se baseiam numa estimativa da exposição nas condições reais de utilização (tendo em conta todas as partes do ciclo de funcionamento, tais como os tempos em que a ferramenta está desligada e quando está em marcha lenta, para além do tempo de activação).

### TUTORIALS

Digitalize o código QR na frente do manual ou vá a [www.rapid.com](http://www.rapid.com) para beneficiar de uma extensão de garantia de 2 anos e aceda aos nossos vídeos tutoriais:

- Como mudar os carretéis;
- Como manusear a ferramenta;

- Como substituir as peças de desgaste.

### OPERAÇÃO E UTILIZAÇÃO

#### LIGAR A ATADORA

Certifique-se de que a ferramenta está em boas condições de funcionamento.

Inserir uma bateria carregada no conector de alimentação da atadora

Carregar no botão de ligar, o visor ilumina-se e ouvir-se-á um bip longo, 3 curto e um longo.

#### OPERAÇÃO DE ATAR

Colocar ramos dentro da boca de atar

Carregar no gatilho para atar

Soltar o gatilho e remover a ferramenta do ramo

Repetir para fazer a próxima fixação

#### CARREGAR NOVA BOBINA USANDO CORTE INTELIGENTE



#### ATENÇÃO!! SIGA ESTES 8 PASSOS PARA RECARREGAR EFICAZMENTE A FERRAMENTA

1. Pare de atar quando tiver 4-5 voltas do fio restante na bobina; ver imagem G1
2. Segurar o gatilho durante 4-5s até o gancho guia bloquear na posição activa, depois soltar. O corte inteligente é activado; ver imagem G2  
Não desligue a máquina e não prima ainda o gatilho  
Abrir a fivela de tracção e remover a tampa exterior
3. Retirar a bobina usada com o fio restante e amarrar na boca do gancho; ver figura G3
4. De seguida, carregar uma vez no gatilho para desactivar o corte inteligente, e remover o nó da boca do gancho; ver imagem G4
5. Colocar a nova bobina directamente no carregador. Remover a "fita de fixação da extremidade"; ver imagem G5.
6. Inserir o arame no bocal de alimentação até que o arame atinja a paragem final, e premir o gatilho para alimentar o arame inserido; ver figura G6  
! Certifique-se de que o fio é inserido por cima e não por baixo. Certifique-se também de que o arame não está torcido e embrulhado.
7. Remover a fita de fixação principal; ver figura G7
8. Volte a colocar a tampa do porta-carretos e prima o gatilho até ter um nó; ver imagem G8

#### AJUSTE DO NÍVEL DE TORÇÃO

Para tornar os nós óptimos para o tipo de ramos que se atam, pode-se ajustar o número de torções seleccionando "Twist level".

| Selector de torção |   |   |   |   |
|--------------------|---|---|---|---|
| Nível de torção    | 1 | 2 | 3 | 4 |
| Número de torções  | 2 | 3 | 4 | 5 |

#### INDICADORES SONOROS DE FALHA

| Tempos de frequência de indicadores sonoros | Falha                          | Método de resolução                             |
|---|--------------------------------|---|
| Bip único                                   | Falha da capacidade da bateria | Verificar o nível de carga da beteria           |
| Múltiplos bips                              | Falha interna                  | Ferramenta necessita de intervenção qualificada |

## UTILIZAÇÃO E CUIDADO DAS BATERIA



### CUIDADO!

1. Utilizar apenas o carregador de bateria conforme fornecido juntamente com a ferramenta, a utilização de outros carregadores pode causar incêndio.
2. Utilizar, carregar ou armazenar o carregador de bateria apenas dentro da gama de temperaturas especificada.
3. abaixo de +4C°, a capacidade da bateria pode ser afectada e reduzir o número de ciclos.
4. Não curto-circuitar a bateria e assegurar-se de manter os artigos condutores afastados da bateria quando não estiver a ser utilizada.
5. Não desmontar a bateria.
6. Não utilizar a bateria perto de qualquer fonte de calor.
7. Não colocar a bateria no fogo ou na água.
8. Não fazer qualquer dano à bateria.
9. Não utilizar a bateria danificada, deformada ou corroida.
10. Não efectuar qualquer trabalho de soldadura na bateria.
11. Não utilizar a bateria em equipamento que não seja a ferramenta designada.
12. Não colocar a bateria no forno/microondas.
13. Não utilizar a bateria se esta tiver fugas.
14. Manter a bateria fora do alcance de CRIANÇAS.
15. Se entrar em contacto com uma bateria com fugas, lave imediatamente com água limpa.

### CARREGAMENTO DAS BATERIAS

Ligar a bateria ao carregador e ligar a ficha do carregador à tomada de alimentação. O indicador LED no carregador ficará VERMELHO durante o carregamento e VERDE quando a bateria estiver completamente carregada, ver imagem E2.



### CUIDADO!!

### CARREGAMENTO DAS BATERIAS

1. Durante o carregamento, é normal que o carregador e a bateria estejam quentes.
2. Não carregar baterias danificadas e não desmontar a bateria ou carregador.
3. Carregar o conjunto de baterias apenas dentro amplitude de temperatura especificada.
4. Não colocar a bateria perto de uma fonte de calor de alta temperatura, a bateria pode explodir no fogo ou numa exposição prolongada a uma fonte de calor de alta temperatura.
5. Não carregue a bateria no exterior ou num ambiente húmido.

### ARMAZENAMENTO DAS BATERIAS

1. Para assegurar um bom armazenamento das baterias, o local deve permanecer dentro amplitude de temperatura especificada.
2. Se o equipamento não for utilizado durante muito tempo, remover e carregar a bateria antes da sua armazenagem.
3. Recomenda-se a colocação da bateria e do carregador numa caixa de ferramentas durante o

armazenamento.

4. A bateria deve ser armazenada num ambiente seco, longe de qualquer substância inflamável.

## UTILIZAÇÃO E CUIDADOS COM O CARREGADOR



### CUIDADO!!

Utilize o carregador original para garantir a segurança do equipamento.

Utilize apenas o carregador em bom estado e nunca tente utilizar um carregador defeituoso.

Certifique-se de que a tensão de alimentação corresponde à tensão nominal da placa de identificação do carregador.

Desligar o carregador da fonte de alimentação quando não estiver a ser utilizado.

Não utilizar o carregador num ambiente exterior ou húmido. A entrada de sujidade ou água irá aumentar o risco de choque eléctrico.

O carregador só deve ser utilizado para carregar a bateria original, caso contrário pode resultar em ferimentos pessoais e causar um incêndio.

Evitar qualquer dano ao carregador, um carregador danificado pode aumentar o risco de choque eléctrico.

Não utilizar carregadores em superfícies inflamáveis (por exemplo, papel, têxteis).

Se o cabo de alimentação do carregador for danificado, deve ser substituído por pessoal qualificado.

## MANUTENÇÃO



### AVISO!!

Desligue a bateria antes de qualquer manutenção **LIMPEZA GERAL APÓS CADA TRABALHO**

A ferramenta deve ser limpa com um pano húmido.

Utilizar um pincel ou algo semelhante para remover as impurezas na faixa guia, roda de torção e bandeja de alimentação.

! Não utilizar qualquer agente de limpeza, caso contrário pode causar danos permanentes à ferramenta.

### ÓLEO E LUBRIFICAÇÃO APÓS CADA TRABALHO

Utilizar bom óleo multigraduado, por exemplo 3-EM-1 ou 15W-40. Lubrificar cada junta móvel e o cortador, ver imagem A13.

### SUBSTITUIÇÃO DO DISPOSITIVO DE ALIMENTAÇÃO

Quando a roda de alimentação já não alimenta o fio, recomenda-se uma substituição. Kit número de peça: 5001602

### SUBSTITUIÇÃO DO DISPOSITIVO DE TORÇÃO E GANCHO

Caso a roda de torção deixe de torcer ou não acabe a torção, recomenda-se uma substituição. Kit número de peça: 5001603

### SUBSTITUIÇÃO DO SISTEMA DE TRAVAGEM

Quando o O-ring entre o travão rotativo e o cubo de travão fixo estiver gasto, recomenda-se uma substituição. Kit número de peça: 5001604

### LISTA DE PEÇAS DE REPOSIÇÃO

## KIT A: DISPOSITIVO DE CORTE ART. Nº 5001601

| PEÇA Nº | DESCRIÇÃO            | QUANTIDADE |
|---------|----------------------|------------|
| 76.     | Lâmina fixa          | 1          |
| 77.     | Bloco guia da lâmina | 1          |
| 81.     | Lâmina móvel         | 1          |

## KIT B: DISPOSITIVO DE ALIMENTAÇÃO ART. Nº 5001602

| PEÇA Nº | DESCRIÇÃO        | QUANTIDADE |
|---------|------------------|------------|
| 80.     | Roda de borracha | 3          |
| 64.     | Circclip         | 3          |

## KIT C: DISPOSITIVO DE TORÇÃO E GANCHO ART. Nº 5001603

| PEÇA Nº | DESCRIÇÃO          | QUANTIDADE |
|---------|--------------------|------------|
| 61.     | Conjunto de rodas  | 1          |
| 62.     | Parafuso hexagonal | 1          |
| 68.     | Gancho principal   | 1          |
| 69.     | Alfinete           | 1          |
| 54.     | Bloco guia         | 1          |

## KIT D: SISTEMA DE TRAVAGEM ART. Nº 5001604

| PEÇA Nº | DESCRIÇÃO          | QUANTIDADE |
|---------|--------------------|------------|
| 5.      | Parafuso de cabeça | 1          |
| 6.      | Junta plana        | 1          |
| 8.      | Anel               | 1          |
| 11.     | Banda              | 1          |

## KIT E: TESOURA ART. Nº 5001605

### INFORMAÇÃO ADICIONAL

Visite [www.rapid.com](http://www.rapid.com)

### GARANTIA

#### I. PERÍODO DE GARANTIA

Este produto RAPID tem uma garantia de três (3) anos sob a garantia do fabricante (ou garantia comercial), desde a data de entrega ao utilizador final (excluindo peças de desgaste, acessórios, baterias, e carregadores). As baterias e os carregadores têm uma garantia de Dois (2) anos. Para estender a garantia da ferramenta para Cinco (5) anos, por favor registar-se online em [www.rapid.com](http://www.rapid.com) ou digitalizar o código QR. Mantenha a sua ferramenta e recibo de compra.

#### II. CONDIÇÕES DE GARANTIA

Não podem ser reclamados ao abrigo da garantia do fabricante, quaisquer produtos utilizados de forma anormal ou operados em condições diferentes das quais o produto foi desenvolvido, especialmente no que diz respeito aos pontos indicados neste manual do utilizador. A garantia também não se aplica em caso de choque, queda, negligência, falta de supervisão e/ou manutenção. Qualquer alteração, transformação ou modificação efectuada nos produtos pelo utilizador final torna a garantia obsoleta. As peças de desgaste, acessórios e/ou consumíveis nunca são cobertos pela garantia.

São considerados como acessórios, peças de des-

gaste, ou consumíveis:

a mala de transporte e embalagem, os bobinas de arame, e os kits de peças sobressalentes (KIT A a KIT E) incluídos neste manual do utilizador.

### III. RECLAMAÇÃO SOB GARANTIA

O período de garantia começa a partir da data de entrega do produto ao utilizador final.

No caso de uma reclamação ao abrigo da garantia, o produto deve ser devolvido na sua caixa original (pilhas e carregador incluídos) juntamente com uma cópia do recibo original datado.

### ELIMINAÇÃO DA BATERIA

As pilhas gastas devem ser removidas do aparelho e eliminados de forma segura.

As baterias não podem ser eliminadas com o lixo doméstico normal, contém metais pesados tóxicos e estão sujeitas a regulamentos de resíduos perigosos.

Por esse motivo, descarte as baterias usadas num ponto de recolha local



2012/19/EU

PT Resíduos de Equipamento Elétrico e Eletrónico (REEE)

Dispositivos elétricos e eletrónicos contêm materiais e substâncias que podem ter efeitos prejudiciais à saúde humana e ao meio ambiente. Este símbolo no dispositivo, nos acessórios ou na embalagem indica que o dispositivo não deve ser tratado como resíduos urbanos não triados, mas sim recolhido separadamente. Elimine o dispositivo através de um ponto de recolha para a reciclagem de equipamento eléctrico e electrónico dentro da União Europeia e outros países europeus que possuam sistemas de recolha separada para equipamentos eléctricos e electrónicos. Ao eliminar o dispositivo de forma adequada, ajuda a evitar eventuais perigos para o ambiente e a saúde pública que poderiam de outro modo decorrer do tratamento indevido de resíduos de equipamento. A reciclagem de materiais contribui para a conservação dos recursos naturais.

# BHX50 AKUMULÁTOROVÝ VÁZACÍ STROJ

Překlad originálního návodu

CZ

## POPIS NÁŘADÍ

- A. Vázací stroj
- A1. Vodící hák
- A2. Přítlačná vázací deska
- A3. Otáčecí kolo
- A4. LED světlo
- A5. Spoušť
- A6. Zásobník
- A7. Cívka
- A8. Elastický pásek
- A9. Nastavení zkřutu - mínus
- A10. Displej
- A11. Nastavení zkřutu - plus
- A12. Tlačítko napájení
- A13. Mazání
- B. Lithiová baterie
- B1. Tlačítko pro uvolnění baterie
- B2. Vstupní konektor baterie
- C. Nabíječka baterie
- C1. Vstupní napájecí konektor
- C2. LED kontrolka nabíječky
- C3. Nabíjecí jack
- D. Nůžky
- E2. Nabíjení baterie
- F. Symboly
- F1. Přečtěte si prosím pozorně všechna bezpečnostní varování a pokyny.
- F2. Baterii lze nabíjet pouze uvnitř domu
- F3. Dvojitá izolace, uzemnění není vyžadováno.
- F4. Bezpečná transformátorová nabíječka.
- F5. Nabíjení baterie se automaticky přeruší, pokud dojde k přehřátí.
- F6. Vázací stroj nepoužívejte za deště.
- F7. Elektrická zařízení nelze likvidovat s domovním odpadem.
- F8. Nikdy se nedotýkejte nabitých předmětů elektrickými nůžkami.
- F9. Používejte ochranu očí a sluchu.
- F10. Používejte ochranné rukavice.
- F11. Výstražný symbol s informacemi o zranění osob

## ÚVOD

Tento nástroj je určen pro vázání výhonků révy ve vinicích o maximálním průměru 25 mm.

Vázací stroj by měl být používán pouze pro zamýšlené účely.

Pokud je tento nástroj používán pro jiné neschválené účely, může způsobit poškození nástroje a poranit uživatele.

Tento nástroj smí používat pouze dospělí nebo mladiství pod dohledem dospělých.

Provozovatel nebo uživatel přebírá plnou odpovědnost za újmu ostatním nebo jakoukoli škodu na majetku způsobenou nehodou při používání.

Výrobce neručí za žádné škody způsobené nenormálním nebo nesprávným použitím.

## TECHNICKÉ SPECIFIKACE

|  |   |
|--|---|
| Bateriový vázací stroj, číslo modelu     | BHX50   |
| Typ cívky                                | Papírové nebo plast vázání  |
| Kapacita zásobníku, max                  | 100 m   |
| Maximální kapacita vázání                | 25 mm   |
| Rozměry nástroje V x Š x D               | 240 x 75 x 310 mm   |
| Hmotnost                                 | 1,065 kg (včetně baterie)   |
| Model baterie, typ, napětí               | Vyjímatelná baterie KH-B1A168X, Li-Ion, 14.4V   |
| Kapacita baterie, výkon, maximální výkon | 2500 mAh, 100W, 500W  |
| Podmínky nabíjení baterie                | +4°C až +40°C   |
| Podmínky skladování baterie              | -20°C až +50°C  |
| Nabíječka baterií                        | 100-240V AC, 50-60Hz, 0.5A vstup<br>16.8V DC, 1.42A, svorky pro dvě baterie, sekvenční nabíjení |
| Doba nabíjení                            | 120 minut/každá baterie   |
| Počet vazeb na jedno nabití, max         | ≈ 9000 vazeb  |
| Rychlost vázání, max, plynule            | 12 vazeb/min  |
| Provozní podmínky                        | +4°C až +40°C   |

## OBECNÁ BEZPEČNOSTNÍ UPOZORNĚNÍ PRO ELEKTRICKÉ NÁSTROJE



**VAROVÁNÍ!!** Přečtěte si všechna bezpečnostní varování, pokyny, ilustrace a specifikace dodávané s tímto elektrickým nářadím.



**Nedodržení veškerých pokynů uvedených níže může mít za následek úraz elektrickým proudem, vznik požáru anebo vážné poranění.**

**Všechna upozornění a pokyny uložte pro pozdější možné použití.**

Pojem „elektrický nástroj“ odkazuje ve varováních na elektricky napájený (kabelový) elektrický nástroj nebo akumulátorem napájený (bezdrátový) elektrický nástroj

### 1) BEZPEČNOST PRACOVNÍHO MÍSTA

- a) **Pracovní místo udržujte v čistotě a dobře osvětlené.** Nepořádek nebo špatně osvětlená místa mohou způsobit nehody.
- b) **Nástroj nepoužívejte ve výbušných prostředích, například v prostředích s přítomností hořlavých kapalin, plynů nebo prachu.** Elektrické nástroje vytvářejí jiskry, díky kterým se prach nebo výpary mohou vznítit.
- c) **Okolo stojící osoby, děti a návštěvníky**

udržujte při použití nástroje mimo pracovní místo. Při rozptýlení můžete ztratit nad přístrojem kontrolu.

## 2) ELEKTRICKÁ BEZPEČNOST

- a) **Zástrčka elektrického nástroje se musí shodovat s elektrickou zásuvkou. Zástrčku nikdy žádným způsobem neupravujte. Pro nástroje s ochranným uzemněním nepoužívejte žádné adaptérové zástrčky.** Neupravené zástrčky a shodující se elektrické zásuvky snižují riziko úrazu elektrickým proudem.
- b) **Vyvarujte se tělesného kontaktu s uzemněnými plochami, jako je potrubí, topení, sporáky a chladničky.** Je-li vaše tělo uzemněno, existuje zvýšené riziko úrazu elektrickým proudem.
- c) **Chraňte elektrický nástroj před deštěm a vlhkem.** Vniknutí vody do elektrického nástroje zvyšuje riziko úrazu elektrickým proudem.
- d) **Elektrický kabel používejte k jeho účelu. Nikdy kabel nepoužívejte na přenášení, tahání nebo odpojování nástroje.** Kabel udržujte z dosahu tepla, oleje, ostrých hran nebo pohybujících se součástí. Poškozený nebo zapletený kabel zvyšuje riziko úrazu elektrickým proudem.
- e) **Při obsluhování elektrického nástroje venku použijte prodlužovací kabel vhodný pro venkovní použití.** Použití kabelu vhodného pro venkovní použití snižuje riziko úrazu elektrickým proudem.
- f) **Při práci ve vlhkém prostředí používejte ochranu elektrického přívodu,** abyste zabránili riziku elektrického zkratu a šoku.

## 3) BEZPEČNOST OSOB

- a) **Buďte opatrní, dávejte pozor na to, co děláte, a při používání nástroje používejte zdravý rozum.** Elektrický nástroj nepoužívejte, když jste unaveni nebo pod vlivem drog, alkoholu nebo léků. Chvilce nepozornosti během provozu nástroje může mít za následek vážné poranění.
- b) **Používejte osobní ochranné prostředky. Vždy noste ochranné brýle.** Ochranné prostředky, jako jsou maska proti prachu, bezpečnostní obuv s protiskluzovou podrážkou, přilba nebo ochranná sluchátka použitá za náležitých podmínek, snižují riziko poranění.
- c) **Zabraňte neúmyslnému uvedení do provozu. Před připojením zdroje napájení nebo akumulátoru, zvednutím nebo přenášením stroje se ujistěte, že vypínač je ve vypnuté poloze.** Nošení nástroje s prstem na vypínači nebo zapojení nástroje se zapnutým vypínačem může vést ke vzniku úrazu.
- d) **Před zapnutím elektrického nástroje odstraňte seřizovací klíč nebo podobný nástroj.** Klíč ponechaný na rotující části elektrického nástroje může mít za následek poranění osob.
- e) **Příliš se nepředklánějte. Používejte vhodnou obuv a za všech okolností udržujte rovnováhu.** V nečekaných situacích vám umožní zajistit si lepší kontrolu nad nástrojem.
- f) **Noste vhodný oděv. Nenoste volný oděv nebo šperky. Vlasy, oděv a rukavice udržujte z dosahu pohybujících se součástí.** Volný oděv, šperky nebo dlouhé vlasy se do pohybujících se součástí

mohou zachytit.

- g) **Jsou-li zařízení vybavena připojením zařízení na odsávání prachu a sberného zařízení, ujistěte se, že jsou taková zařízení připojena a správně používána.** Použití zařízení na odsávání prachu může snížit rizika související s výskytem prachu.
  - h) **Časté používání a obeznamenosť s přístrojem může přinést pocit sebestjisty a zanedbání bezpečnostních zásad.** Nepozornost však může přinést problém nebo zranění během okamžiku.
- ## 4) POUŽÍVÁNÍ ELEKTRICKÉHO NÁSTROJE A PÉČE O NĚJ
- a) **Elektrický nástroj nepřepínajte.** Pro dané použití používejte správný elektrický nástroj. Správný elektrický nástroj vykoná práci lépe a bezpečněji rychlostí, na kterou byl sestaven.
  - b) **Elektrický nástroj nepoužívejte, pokud jej nelze zapnout a vypnout pomocí vypínače.** Kterýkoli elektrický nástroj, jenž nelze ovládat vypínačem, je nebezpečný a je třeba jej opravit.
  - c) **Před prováděním jakýchkoli úprav, výměnou příslušenství nebo uložením nástroje vypojte zástrčku ze zdroje napájení anebo z nástroje vyjměte akumulátor.** Taková preventivní bezpečnostní opatření snižují riziko náhodného spuštění nástroje.
  - d) **Nečinný elektrický nástroj skladujte mimo dosah dětí a osobám, které s nástrojem nejsou obeznámeny nebo neznají tyto pokyny, znemožněte jeho používání.** Elektrické nástroje jsou v rukách neproškolených uživatelů nebezpečné.
  - e) **Údržba přístroje a příslušenství. Zkontrolujte stav a pevnost pohyblivých dílů.** Poškození dílů znemožní použití přístroje. Je-li přístroj nějak poškozen, musí být před používáním opraven. Mnoho problémů je způsobeno nedostatečně dobře udržovaným stavem přístroje.
  - f) **Rezné nástroje udržujte ostré a čisté.** Řádně udržované rezné nástroje s ostrými řeznými čepěmi se budou pravděpodobně méně zasekávat a bude snazší je ovládat.
  - g) **Elektrický nástroj, příslušenství a nasazovací adaptéry atd. používejte v souladu s těmito pokyny, přičemž dbejte na pracovní podmínky a prováděnou práci.** Použití elektrického nástroje k jiné činnosti, než pro kterou je určen, může mít za následek vznik nebezpečné situace.
  - h) **Udržujte povrch lepicího pera čistý a suchý, zabraňte kontaktu s oleji nebo mastnotou.** Kluzký a znečištěný povrch znesnadňuje bezpečnou práci a ovládání lepicího pera v neočekávaných situacích.
- ## 5) Použití a péče o akumulátorové nářadí
- a) **Akumulátory nabíjejte pouze v nabíječce, která je doporučena výrobcem.** U nabíječky, která je vhodná pro určitý druh akumulátorů, existuje nebezpečí požáru, je-li používána s jinými akumulátory.
  - b) **Do elektrického nářadí používejte pouze k tomu určené akumulátory.** Použití jiných akumulátorů může vést k poranění či požáru.
  - c) **Nepoužívaný akumulátor uchovávejte v**

**bezpečné vzdálenosti od kovových předmětů, jako jsou kancelářské sponky, mince, klíče, hřebíky, šrouby nebo jiné drobné kovové předměty, které mohou způsobit přeměnění kontaktů.** Zkrat mezi kontakty akumulátoru může mít za následek popálení nebo požár.

- d) **Při nesprávném použití může z akumulátoru vytéci kapalina. Nedotýkejte se jí. Při náhodném kontaktu opláchněte místo vodou. Pokud kapalina vnikne do očí, navštivte lékaře.** Kapalina vytékající z akumulátoru může způsobit podráždění pokožky nebo popálení.
  - e) **Nepoužívejte akumulátor nebo nářadí, které je poškozené či upravené.** Poškozené nebo upravené akumulátory se mohou chovat nepředvídaně a způsobit požár, výbuch či poranění.
  - f) **Nevystavujte akumulátor nebo nářadí ohni či nadměrné teplotě.** Vystavení ohni nebo teplotě nad 130 °C může způsobit výbuch.
  - g) **Dodržujte všechny pokyny pro nabíjení a nenabíjejte akumulátor nebo nářadí mimo teplotní rozsah uvedený v pokynech.** Nesprávné nabíjení nebo nabíjení při teplotách mimo uvedený rozsah může poškodit akumulátor a zvýšit riziko požáru.
- 6) SERVIS**
- a) **Svůj elektrický nástroj nechejte opravit kvalifikovanou osobou používající pouze originální náhradní díly.** Zajistíte tím zachování bezpečnosti svého nástroje.
  - b) **Nikdy neprovádějte servis poškozených akumulátorů.** Servis akumulátorů by měl provádět pouze výrobce nebo autorizovaná oprava.

## BEZPEČNOSTNÍ UPOZORNĚNÍ



### VAROVÁNÍ!

1. Během provozu nesnímejte přední kryt. Abyste předešli zranění osob, držte přední vazací hrdlo mimo jakoukoli část těla.
2. Po dokončení vázání přesuňte nástroj opatrně do další pracovní polohy. Šetrné zacházení s nástrojem ochrání obsluhu a prodlouží životnost vázacího stroje.
3. Vazací stroj nepoužívejte za deště, voda uvnitř nástroje jej může poškodit.
4. Výrobek je určen k vázání vinné révy a jiných větví v o maximálním průměru 25 mm. Provoz mimo rozsah může poškodit nástroj nebo snížit životnost.
5. Před jakýmkoli pokusem o odstranění zaseknutého podávacího háčku nebo vázacího drátu vypněte napájení.
6. Ujistěte se, že je dostatek místa pro pohyb podávacího háčku, pokud dojde k jakémukoli pohybu, nemusí být výsledek vázání správný.
7. Nepoužívejte nářadí v blízkosti hořlavých kapalin nebo plynů. Pokud dojde ke zkratu, může to způsobit výbuch nebo požár.
8. Zásobník a podávací systém musí být často kontrolován a čištěn. Pokud se v podávací dráze nahromadí cizí materiály, ovlivní to vázání a zvýší zatížení zařízení. Záruka na produkt se nevztahuje na škody způsobené nesprávnou údržbou.
9. Nepokoušejte se nástroj sami opravovat. Opravy,

kteří nejsou uvedeni v tomto návodu, mohou provádět pouze pracovníci našeho servisního střediska.

## ZVUKOVÉ EMISE/VIBRACE

- Hladina akustického tlaku za použití váhové křivky A  $LpA = 70,5 \text{ dB(A)}$ , nejistota  $K = 3 \text{ dB(A)}$ . Hladina akustického výkonu za použití váhové křivky A  $LwA = 81,5 \text{ dB(A)}$ , nejistota  $K = 3 \text{ dB(A)}$ . Doporučení pro obsluhu, aby nosila ochranu sluchu.
- Celková hodnota vibrací  $= 1,125 \text{ m/s}^2$ , nejistota  $K = 1,5 \text{ m/s}^2$ . Deklarovaná celková hodnota vibrací byla změřena v souladu se standardní zkušební metodou a lze ji použít pro srovnání jednoho nástroje s druhým. Deklarovanou celkovou hodnotu vibrací lze také použít při předběžném posouzení expozice.



### VAROVÁNÍ!

Emise vibrací během skutečného používání elektrického nářadí se mohou lišit od deklarované celkové hodnoty v závislosti na způsobu, jakým je nářadí používáno.

Je potřeba identifikovat bezpečnostní opatření na ochranu obsluhy, která jsou založena na odhadu expozice ve skutečných podmínkách použití (s přihlédnutím ke všem částem provozního cyklu, jako jsou doby, kdy je nástroj vypnutý a kdy běží například kromě doby spouštění).

## NÁVODY

Načtete QR kódem na přední straně příručky nebo jdete na [www.rapid.com](http://www.rapid.com), kde můžete využít 2letou prodlouženou záruku a prohlédnout si naše výuková videa:

- Jak vyměnit cívký;
- Jak s nástrojem zacházet;
- Jak vyměnit opotřebitelné díly;

## PROVOZ A POUŽÍVÁNÍ

### ZAPNUTÍ VÁZACÍHO STROJE

Ujistěte se, že je nástroj v dobrém provozním stavu.

Vložte nabitou baterii do napájecího konektoru vázacího stroje

Stiskněte tlačítko napájení, displej se rozsvítí a uslyšíte dlouhý, 3 krátke a dlouhý pipnutí.

### VÁZÁNÍ

Umístěte větvě do vázacího ústí

Stisknutím spouště vytvořte uzel

Uvolněte spoušť a sejměte nástroj z větvě


Opakujte pro vytvoření dalšího uzlu

### VLOŽENÍ NOVÉ CÍVKY POMOCÍ SMART CUT

**POZOR!! ABYSTE NÁSTROJ EFEKTIVNĚ ZNOVU NABILI, POSTUPUJTE PODLE TĚCHO 8 KROKŮ**

1. Přestaňte vázat, když máte 4-5 závitů zbývajících drátu na cívce; viz obrázek G1
  2. Podržte spoušť po dobu 4-5s, dokud se vodící hák nezablokuje v aktivní poloze, poté uvolněte. Smart cut je aktivován; viz obrázek G2
- Nevypínejte stroj a ještě nemačkejte spoušť
- Otevřete přezku a sejměte vnější kryt

3. Odstraňte použitou civku se zbyvajícím drátem a zavažte do ústí háčku; viz obrázek G3
4. Nyní jednou stiskněte spoušť pro deaktivaci inteligenčního řezu a sejměte vázací materiál z úst háčku; viz obrázek G4
5. Vložte novou civku přímo do zásobníku. Odstraňte "koncevovou fixační pásku"; viz obrázek G5.
6. Vložte drát naplocho do podávací trysky, dokud drát nedosáhne dorazu, a stisknutím spouště zasuňte vložený drát; viz obrázek G6

 Ujistěte se, že je drát zasunut shora a ne zespodu. Také se ujistěte, že drát není zkroucený a zauzlováný.

7. Odstraňte hlavní upevňovací pásku; viz obrázek G7
8. Nasadte zpět kryt držáku civky a stiskněte spoušť, dokud nebudete mít přijatelnou délku; viz obrázek G8

### NASTAVENÍ ÚROVNĚ KROUCENÍ

Aby byly uzly optimální pro typ vázaných větví, můžete upravit počet zkrutů výběrem „Úroveň zkroucení“.

|  | Volič zkrutů |   |   |   |  |
|--|--------------|---|---|---|--|
| Úroveň zkroucení  | 1            | 2 | 3 | 4 |  |
| Počet zkrutů   | 2            | 3 | 4 | 5 |  |

### SIGNALIZACE PÍPNUTÍ PORUCH

| Počet zvuků bzučáku | Selhání                  | Metoda řešení                                 |
|---------------------|--------------------------|---|
| Jedno pípnutí       | Porucha kapacity baterie | Zkontrolujte, zda není kapacita baterie nízká |
| Vícenásobné pípnutí | Interní selhání nástroje | Nástroj vyžaduje kvalifikovaný servis         |

## POUŽÍVÁNÍ A PÉČE O BATERIE

 **POZOR!!**

1. Používejte pouze nabíječku baterii dodanou spolu s nářadím, použití jiných nabíječek může způsobit požár.
2. Baterii používejte, nabíjejte a skladujte pouze ve stanoveném teplotním rozsahu.
3. Při teplotě nižší než +4°C může být ovlivněna kapacita baterie a snížen počet cyklů.
4. Nezkratujte baterii a zajistěte, aby se k ní nedostaly vodivé předměty, když se nepoužívá.
5. Baterii nerozebírejte.
6. Baterii nepoužívejte v blízkosti žádného zdroje tepla.
7. Nevhazujte baterii do ohně ani do vody.
8. Nepoškožujte baterii.
9. Nepoužívejte baterii, která je poškozená, zdeformovaná nebo zkorodovaná.
10. Na baterii neprovádějte pájení ani svařování.
11. Nepoužívejte baterii na jiném zařízení, než je určeno.
12. Nevkládejte baterii do mikrovlnné trouby.
13. Nepoužívejte baterii, která vytéká.
14. Uchovávejte baterii mimo dosah DěTÍ.
15. Pokud se dostanete do kontaktu s vytékající baterii, okamžitě se omyjte čistou vodou.

### NABÍJENÍ BATERIE

Připojte baterii k nabíječce a zapojte zástrčku nabíječky do elektrické zásuvky. LED indikátor na

nabíječce se během nabíjení rozsvítí ČERVENĚ a po úplném nabití baterie se rozsvítí ZELENĚ, viz obrázek E2.

 **POZOR!!**

### NABÍJENÍ BATERIE

1. Během nabíjení je normální, že se nabíječka a baterie zahřívají.
2. Poškozenou baterii nenabíjejte a nabíječku ani baterii nerozebírejte.
3. Baterii nabíjejte pouze ve stanoveném teplotním rozsahu.
4. Neumísťujte baterii do blízkosti zdroje tepla s vysokou teplotou, baterie může v ohni nebo při dlouhodobém vystavení vysokoteplotnímu zdroji tepla explodovat.
5. Nenabíjejte baterii ve venkovním nebo vlhkém prostředí.

### ULOŽENÍ BATERIE

1. Abyste zajistili dobré skladování baterie, udržujte ji ve stanoveném teplotním rozsahu.
2. Pokud se zařízení nebude delší dobu používat, před uskladněním vyjměte a nabijte baterii.
3. Při skladování se doporučuje umístit baterii a nabíječku do krabice na nářadí.
4. Baterie by měla být skladována v suchém prostředí mimo dosah jakýchkoli hořlavých látek.

## POUŽÍVÁNÍ NABÍJEČKY

 **POZOR!!**

Pro zajištění bezpečnosti zařízení použijte originální nabíječku.

Používejte pouze nabíječku v dobrém stavu a nikdy se nepokoušejte použít vadnou nabíječku.

Ujistěte se, že napájecí napětí odpovídá jmenovitému napětí na typovém štítku nabíječky.

Pokud nabíječku nepoužíváte, odpojte ji od zdroje napájení.

Nepoužívejte nabíječku ve venkovním nebo vlhkém prostředí. Vniknutí nečistot nebo vody zvýší riziko úrazu elektrickým proudem.

Nabíječka se smí používat pouze k nabíjení původní baterie, jinak může dojít ke zranění osob a požáru.

Zabraňte jakémukoli poškození nabíječky, poškozená nabíječka může zvýšit riziko úrazu elektrickým proudem.

Nepoužívejte nabíječky na hořlavé povrchy (např. papír, textil)

Pokud je poškozen napájecí kabel nabíječky, musí jej vyměnit kvalifikovaný personál.

## ÚDRŽBA

 **VAROVÁNÍ!!**

Před jakoukoli údržbou odpojte baterii

### PRÁVIDELNÉ ČISTĚNÍ

Nástroj je třeba otřít vlhkým hadříkem.

Pomocí štetce nebo kartáče odstraňte cizí předměty z vodičí dráhy, otočného kolečka a podávacího zásobníku.

! Nepoužívejte žádné čisticí prostředky, jinak může



dojít k trvalému poškození nástroje.

## MAZÁNÍ

Používejte dobrý vícestupňový olej, například 3-IN-ONE nebo 15W-40. Namažte každý pohyblivý kloub a frézu, viz obrázek A13.

## VÝMĚNA PODÁVACÍHO ZAŘÍZENÍ

Když podávací kolečko již nepodává drát, doporučuje se výměna. Číslo dílu sady: 5001602

## VÝMĚNA ZAŘÍZENÍ TWIST & HOOK ZAŘÍZENÍ

V případě, že se kroutící kolo přestane kroutit nebo skončíte se špatným kroucením, doporučujeme výměnu. Číslo dílu sady: 5001603

## VÝMĚNA BRZDOVÉHO ZAŘÍZENÍ

Když je O-kroužek mezi rotační brzdou a nábojem pevné brzdy opotřebovaný, doporučuje se výměna. Číslo dílu sady: 5001604

## SEZNAM NÁHRADNÍCH DÍLŮ

### SADA A: ŘEZACÍ ZAŘÍZENÍ

Číslo výrobku 5001601

| POZICE | POPIS             | MNOŽSTVÍ |
|--------|-------------------|----------|
| 76.    | Pevná čepel       | 1        |
| 77.    | Vodící blok čepel | 1        |
| 81.    | Mobilní čepel     | 1        |

### SADA B: PODÁVACÍ ZAŘÍZENÍ

Číslo výrobku 5001602

| POZICE | POPIS            | MNOŽSTVÍ |
|--------|------------------|----------|
| 80.    | Gumové kolo      | 3        |
| 84.    | Pojistný kroužek | 3        |

### SADA C: ZAŘÍZENÍ TWIST & HOOK

Číslo výrobku 5001603

| POZICE | POPIS            | MNOŽSTVÍ |
|--------|------------------|----------|
| 61.    | Svazkové kolo    | 1        |
| 62.    | Šestihraný šroub | 1        |
| 68.    | Hlavní hák       | 1        |
| 69.    | Kolík            | 1        |
| 54.    | Vodící blok      | 1        |

### SADA D: BRZDOVÉ ZAŘÍZENÍ

Číslo výrobku 5001604

| POZICE | POPIS          | MNOŽSTVÍ |
|--------|----------------|----------|
| 5.     | Hlavový šroub  | 1        |
| 6.     | Ploché těsnění | 1        |
| 8.     | Kroužek        | 1        |
| 11.    | Páska          | 1        |

### SADA E: NŮŽKY

Číslo výrobku 5001605

## DOPLŇUJÍCÍ SERVISNÍ INFORMACE

Najdete na [www.rapid.com](http://www.rapid.com)

## ZÁRUKA

### I. ZÁRUČNÍ DOBA

Na tento výrobek RAPID se vztahuje záruka po dobu tří (3) let v rámci záruky výrobce (nebo komerční záruky), od data dodání koncovému uživateli (s výjimkou opotřebitelných dílů, příslušenství, baterií a nabíječek). Na baterie a nabíječky je poskytována záruka dva (2) roky. Chcete-li prodloužit záruku na nářadí na pět (5

let), zaregistrujte se online na [www.rapid.com](http://www.rapid.com) nebo naskenujte QR kód. Uchovejte doklad o koupi.

### II. ZÁRUČNÍ PODMÍNKY

V rámci záruky výrobce nelze uplatnit produkty, které jsou abnormálně používané nebo provozované v jiných podmínkách, než pro jaké je výrobek určen, zejména pokud jde o body uvedené v tomto návodu k použití. Záruka se rovněž nevztahuje na případ ořesu, pádu, nedbalosti, nedostatečného dohledu a/nebo údržby. Jakákoli změna, přeměna nebo úprava provedená na produktech koncovým uživatelem činí záruku neplatnou. Na opotřebitelné díly, příslušenství a/nebo spotřební materiál se záruka nevztahuje.

Za příslušenství, opotřebitelné díly nebo spotřební materiál se považuje:

přepřevodní kufřík a obal, civky s drátem a sady náhradních dílů (KIT A až KIT E), které jsou součástí této uživatelské příručky.

### III. REKLAMACE V ZÁRUCE

Záruční doba začíná běžet ode dne dodání koncovému uživateli.

V případě reklamace v rámci záruky musí být produkt vrácen v původním obalu (včetně baterií a nabíječky) spolu s kopií originálu účtenky s vyznačeným datem koupě.

## LIKVIDACE BATERIE

Vybité baterie musí být odstraněny z přístroje a bezpečně zlikvidovány

Baterie nelze likvidovat s běžným domácím odpadem, mohou obsahovat toxické těžké kovy a podléhají předpisům o nebezpečném odpadu.

Z tohoto důvodu zlikvidujte použité baterie v místním sběrném místě.



2012/19/EU

ČZ Odpadní elektrická a elektronická zařízení (OEEZ)

Elektrická a elektronická zařízení obsahují materiály a látky, které mohou mít škodlivé účinky na lidské zdraví a životní prostředí. Tento symbol na přístroji, příslušenství nebo balení značí, že s daným přístrojem nesmí být nakládáno jako s netříděným komunálním odpadem, ale je nutné jej likvidovat odděleně. V rámci EU a v ostatních evropských zemích, které provozují systémy na sběr elektrického a elektronického vybavení, odnese přístroj k likvidaci do sběrného dvora určeného k recyklaci odpadových elektrických a elektronických zařízení. Řádnou likvidací přístroje pomáháte eliminovat možná rizika pro životní prostředí a veřejné zdraví, která jinak mohou vzniknout v důsledku nesprávného nakládání s odpadem. Recyklace materiálů přispívá k ochraně přírodních zdrojů.

# BHX50 AKUMULÁTOROVÝ VIAZACÍ STROJ

Preklad originálneho návodu

SK

## POPIS NÁRADIA

- A. Viazací stroj
- A1. Vodiaci hák
- A2. Prítláčna viazacia doska
- A3. Otáčacie koleso
- A4. LED svetlo
- A5. Spúšť
- A6. Zásobník
- A7. Cievka
- A8. Elastický opasok
- A9. Nastavenie skrutu - mínus
- A10. Displej
- A11. Nastavenie skrutu - plus
- A12. Tlačidlo napájania
- A13. Mazanie
- B. Lítiová batéria
- B1. Tlačidlo na uvoľnenie batérie
- B2. Vstupný konektor batérie
- C. Nabíjačka batérie
- C1. Vstupný napájací konektor
- C2. LED kontrolka nabíjačky
- C3. Nabíjací jock
- D. Nožnice
- E2. Nabíjanie batérie
- F. Symboly
- F1. Prečítajte si prosím pozorne všetky bezpečnostné varovania a pokyny.
- F2. Batériu je možné nabíjať iba vo vnútri domu
- F3. Dvojité izolácia, uzemnenie nie je vyžadované.
- F4. Bezpečná transformátorová nabíjačka.
- F5. Nabíjanie batérie sa automaticky preruší, ak dôjde k prehriatiu.
- F6. Viazací stroj nepoužívajte za dažďa.
- F7. Elektrické zariadenia nemožno likvidovať s domovým odpadom.
- F8. Nikdy sa nedotýkajte nabitých predmetov elektrickými nožnicami.
- F9. Používajte ochranu očí a sluchu.
- F10. Používajte ochranné rukavice.
- F11. Výstražný symbol s informáciami o zranení osôb

## ÚVOD

Tento nástroj je určený na viazanie výhonkov viniča vo viničiach s maximálnym priemerom 25 mm.

Viazací stroj by mal byť používaný iba na zamýšľané účely.

Ak je tento nástroj používaný na iné neschválené účely, môže spôsobiť poškodenie nástroja a poraniť používateľa.

Tento nástroj smú používať iba dospelí alebo mladší dospelí po dohľadom dospělých.

Prevádzkovateľ alebo užívateľ preberá plnú zodpovednosť za ujmu ostatným alebo akúkoľvek škodu na majetku spôsobenú nehodou pri používaní.

Výrobca neručí za žiadne škody spôsobené ne-normálnym alebo nesprávnym použitím.

## TECHNICKÉ ŠPECIFIKÁCIE

|  |  |
|--|--|
| Bateriový viazací stroj, číslo modelu    | BHX50  |
| Typ cievky                               | Papierové alebo plast viazanie   |
| Kapacita zásobníka, max                  | 100 m  |
| Maximálna kapacita viazania              | 25 mm  |
| Rozmery nástroja V x Š x D               | 240 x 75 x 310 mm  |
| Hmotnosť                                 | 1,065 kg (vrátane batérie)   |
| Model batérie, typ, napätie              | Vyberateľná batéria KH-B1A16BX, LI-Ion, 14,4V  |
| Kapacita batérie, výkon, maximálny výkon | 2500 mAh, 100 W, 500 W   |
| Podmienky nabíjania batérie              | +4°C až +40°C  |
| Podmienky skladovania batérie            | -20°C až +50°C   |
| Nabíjačka batérií                        | 100-240V AC, 50-60Hz, 0,5A vstup<br>16,8V DC, 1,42A, svorky pre dve batérie, sekvenčné nabíjanie |
| Doba nabíjania                           | 120 minút/každá batéria  |
| Počet väzieb na jedno nabitie, max       | ≈ 9000 väzieb  |
| Rýchlosť viazania, max. plynuje          | 12 väzieb/min  |
| Prevádzkové podmienky                    | +4°C až +40°C  |

## VŠEOBECNÉ BEZPEČNOSTNÉ UPOZORNENIA PRE PRÁCU S ELEKTRICKÝM NÁRADÍM



**VAROVANIE!!** Prečítajte si všetky bezpečnostné varovania, pokyny, ilustrácie a špecifikácie dodávané s týmto elektrickým náradím.



**Nedodržanie všetkých pokynov uvedených v nasledujúcom texte môže mať za následok úraz elektrickým prúdom, vznik požiaru alebo vážne zranenie osôb.**

**Všetky upozornenia a pokyny si uschovajte na budúce použitie.**

Pojem „elektrické náradie“ používaný v upozorneniach sa vzťahuje na ručné elektrické náradie napájané zo siete (s privodnou šnúrou) alebo na ručné elektrické náradie napájané akumulátorovou batériou (bez privodnej šnúry).

- 1) **BEZPEČNOSŤ PRACOVNÉHO PRIESTORU**
  - a) **Udržujte pracovný priestor v čistote a dobre osvetlený.** Neporiadok na pracovisku a neosvetlené priestory môžu byť príčinou úrazov.
  - b) **Nepoužívajte elektrické náradie v prostredí s nebezpečenstvom výbuchu, kde sa nachádza-**

- jú napríklad horľavé kvapaliny, plyny alebo prach. Elektrické náradie je zdrojom iskrenia, ktoré môže zapáliť prach alebo výpary.
- c) **Pri používaní elektrického náradia zabráňte prístupu detí a ďalších osôb.** V prípade odpútania vašej pozornosti môžete stratiť kontrolu nad náradím.
- ## 2) ELEKTRICKÁ BEZPEČNOSŤ
- a) **Zástrčka prírodnej šnúry elektrického náradia sa musí hodiť do napájacej zásuvky. Zástrčka sa v žiadnom prípade nesmie upravovať. S uzemneným elektrickým náradím nepoužívajte zásuvkové adaptéry.** Neupravené zástrčky a zodpovedajúce zásuvky znižujú riziko úrazu elektrickým prúdom.
- b) **Nedotýkajte sa uzemnených povrchov, ako sú potrubia, radiátory, sporáky a chladničky.** Keď je vaše telo uzemnené, riziko zásahu elektrickým prúdom je vyššie.
- c) **Nevystavujte elektrické náradie dažďu alebo vlhkému prostrediu.** Vniknutie vody do elektrického náradia zvyšuje riziko úrazu elektrickým prúdom.
- d) **Nezatažujte kábel. Nepoužívajte prírodnú šnúru na prenášanie náradia, na jeho vešanie, ani za ňu nevyťahujte zástrčku zo zásuvky.** Prírodnú šnúru uchovávajte mimo dosahu tepla, oleja, ostrých hrán alebo pohyblivých častí. Poškodené alebo spletené káble zvyšujú riziko úrazu elektrickým prúdom.
- e) **Pri práci s náradím vonku používajte predlžovací kábel vhodný na vonkajšie použitie.** Používanie kábla určeného na vonkajšie použitie znižuje riziko úrazu elektrickým prúdom.
- f) **Ak sa nedá predísť použitiu elektrického zariadenia vo vlhkom prostredí, použite prúdový chránič (RCD).** Používaním zariadenia RCD sa znižuje riziko zásahu elektrickým prúdom.
- ## 3) BEZPEČNOSŤ OSÔB
- a) **Buďte pozorní, dávajte pozor na to, čo robíte a k práci s elektrickým náradím pristupujte rozumne. Nepoužívajte elektrické náradie, keď ste unavení alebo keď ste pod vplyvom drog, alkoholu alebo liekov.** Chvilka nepozornosti pri práci s elektrickým náradím môže viesť k vážnemu zraneniu osôb.
- b) **Používajte osobné ochranné pomôcky. Vždy noste ochranné okuliare.** Ochranné prostriedky, ako je respirátor, bezpečnostná obuv s protišmykovou úpravou, pevná prilba alebo chrániče sluchu, používané v zodpovedajúcich podmienkach, znižujú riziko poranenia.
- c) **Zabráňte náhodnému spusteniu. Pred pripojením k napájaniu alebo pred vložením batérie, zdvihnutím alebo prenášaním náradia sa uistite, že je spínač v polohe vypnuté.** Prenášanie náradia s prstom na spínači alebo zapájanie vidlice elektrického náradia so zapnutým spínačom môže viesť k nehodám.
- d) **Pred zapnutím elektrického náradia odstráňte všetky nastavovacie nástroje alebo kľúče.** Nastavovací nástroj alebo kľúč, ktorý ponecháte pripavený k otáčajúcej sa časti elektrického náradia, môže spôsobiť poranenie osôb.
- e) **Pracujte len tam, kam bezpečne dosiahnete.** Vždy udržiajte stabilný postoj a rovnováhu. To umožňuje lepšiu ovládateľnosť elektrického náradia v neočakávaných situáciách.
- f) **Pri práci noste vhodný pracovný odev. Nenoste voľný odev ani šperky. Uchovávajte vlasy, odev a rukavice mimo dosahu pohyblivých sa častí náradia.** Pohybujúce sa časti náradia by mohli voľný odev, šperky alebo dlhé vlasy zachytiť.
- g) **Ak sú zariadenia určené na pripojenie príslušenstva na odsávanie a zber prachu, uistite sa, že sú pripojené a správne sa používajú.** Použitie príslušenstva na zber prachu môže obmedziť riziká súvisiace s prachom.
- h) **Nenadobudnite dojem, že častým používaním nástrojov môžete ignorovať bezpečnostné princípy, ktoré sa ich týkajú.** Neopatrné konanie môže v zlomku sekundy spôsobiť závažné zranenie.
- ## 4) POUŽÍVANIE ELEKTRICKÉHO NÁRADIA A JEHO ÚDRŽBA
- a) **Elektrické náradie nepreťažujte. Na svoju prácu používajte správne elektrické náradie.** Správny typ elektrického náradia bude pracovať lepšie a bezpečnejšie v podmienkach, pre ktoré bol vyrobený.
- b) **Nepoužívajte elektrické náradie, ak sa nedá spínačom zapnúť a vypnúť.** Každé elektrické náradie, ktoré sa nedá ovládať spínačom, je nebezpečné a musí sa opraviť.
- c) **Pred každým nastavovaním, výmenou príslušenstva alebo pred uložením elektrického náradia odpojte zástrčku zo zásuvky alebo batériu z elektrického náradia.** Tieto preventívne bezpečnostné opatrenia znižujú riziko náhodného spustenia náradia.
- d) **Uložte elektrické náradie mimo dosahu detí a nedovoľte osobám, ktoré nie sú oboznámené s elektrickým náradím alebo s týmito pokynmi, aby s náradím pracovali.** Elektrické náradie je v rukách neškolených používateľov nebezpečné.
- e) **O elektrické zariadenia a príslušenstvo sa starajte. Kontrolujte nesprávne nastavenie alebo spoje pohyblivých súčastí, poškodenie súčastí alebo akékoľvek iné stavy, ktoré by mohli mať vplyv na prevádzku elektrického náradia.** V prípade poškodenia zariadenie dajte opraviť. Mnohé nehody sú spôsobené zlou údržbou zariadenia.
- f) **Rezné nástroje udržiavajte ostré a čisté.** Správne udržiavané rezné nástroje s ostrými reznými hranami sú menej náchylné na zanašanie sa nečistotami a lepšie sa ovládajú.
- g) **Používajte elektrické náradie, príslušenstvo a rezné nástroje podľa týchto pokynov, so zreteľom na pracovné podmienky a prácu, ktorá sa má vykonať.** Používanie ručného elektrického náradia na iné ako určené účely môže viesť k nebezpečným situáciám.
- h) **Rukoväti a povrchy, za ktoré sa nástroje chytajú, čistite a odmasťujte.** Klzké rukoväti a povrchy neumožňujú bezpečnú manipuláciu a riadenie nástrojov v neočakávaných situáciách.
- 5) **Starostlivé používanie akumulátorového náradia**

## dia

- a) **Akumulátory nabíjajte len v nabíjačkách, ktoré odporúča výrobca akumulátora.** Ak sa používa nabíjačka určená na nabíjanie iného typu akumulátorov, hrozi nebezpečenstvo požiaru.
  - b) **Do elektrického náradia používajte len špeciicky určené akumulátory.** Používanie iných akumulátorov môže mať za následok poranenie a nebezpečenstvo požiaru.
  - c) **Nepoužívané akumulátory uschovávajte tak, aby sa nemohli dostať do styku s kancelárskymi sponkami, mincami, kľúčmi, klincami, skrutkami alebo s inými drobnými kovovými predmetmi, ktoré by mohli spôsobiť skratovanie kontaktov.** Skrat medzi kontaktmi akumulátora môže mať za následok popálenie alebo vznik požiaru.
  - d) **Z akumulátora môže pri nesprávnom používaní vytekať kvapalina. Vyhýbajte sa kontaktu s touto kvapalinou. Po náhodnom kontakte opláchnite postihnuté miesto vodou. Ak sa dostane kvapalina z akumulátora do očí, vypláchnite ich a vyhľadajte lekára.** Unikajúca kvapalina z akumulátora môže spôsobiť podráždenie pokožky alebo popáleniny.
  - e) **Nepoužívajte poškodené alebo upravené akumulátory alebo náradie.** Poškodené alebo upravené akumulátory môžu neočakávane reagovať a spôsobiť požiar, výbuch alebo zranenie.
  - f) **Nevystavujte akumulátory alebo náradie ohňu ani vysokým teplotám.** Vystavenie ohňu alebo teploty nad 130 °C môže spôsobiť výbuch.
  - g) **Dodržujte pokyny týkajúce sa nabíjania a akumulátory alebo náradie nenabíjajte mimo teplotného rozsahu uvedeného v pokynoch.** Nesprávne nabíjanie alebo teploty mimo špecifikovaného rozsahu môžu poškodiť akumulátor a zvýšiť riziko požiaru.
- 6) SERVIS**
- a) **Elektrické náradie zverte do opravy len kvalifikovanému personálu a používajte len originálne náhradné súčiastky.** Tým sa zabezpečí zachovanie bezpečnosti ručného elektrického náradia.
  - b) **Nikdy neopravujte poškodené akumulátory.** Akumulátory môže opravovať len výrobca alebo autorizovaný servis.

## BEZPEČNOSTNÉ UPOZORNENIA



### VAROVANIE!

1. Počas prevádzky nesnímajte predný kryt. Aby ste predišli zraneniu osôb, držte predné viazacie hrdlo mimo akejkoľvek časti tela.
2. Po dokončení viazania presuňte nástroj opatrne do ďalšej pracovnej polohy. Šetrné zaobchádzanie s nástrojom ochráni obsluhu a predĺži životnosť viazacieho stroja.
3. Viazací stroj nepoužívajte za dažďa, voda vo vnútri nástroja ho môže poškodiť.
4. Výrobok je určený na viazanie vinnej révy a iných vetiev s maximálnym priemerom 25 mm. Prevádzka mimo rozsahu môže poškodiť nástroj alebo znížiť životnosť.

5. Pred akýmkoľvek pokusom o odstránenie zaseknutého podávacieho háčika alebo viazacieho drôtu vypnite napájanie.
6. Uistite sa, že je dostatok miesta pre pohyb podávacieho háčika, pokiaľ dôjde k akémukoľvek pohybu, nemusí byť výsledok viazania správny.
7. Nepoužívajte náradie v blízkosti horľavých kvapalín alebo plynov. Pokiaľ dôjde ku skratu, môže to spôsobiť výbuch alebo požiar.
8. Zásobník a podávací systém musí byť často kontrolovaný a čistený. Pokiaľ sa v podávacej dráhe nahromadia cudzie materiály, ovplyvní to viazanie a zvýši zaťaženie zariadenia. Záruka na produkt sa nevzťahuje na škody spôsobené nesprávnou údržbou.
9. Nepokúšajte sa nástroj sami opravovať. Opravy, ktoré nie sú uvedené v tomto návode, môžu vykonávať iba pracovníci nášho servisného strediska.

## ZVUKOVÉ EMISIE/VIBRÁCIE

- Hladina akustického tlaku za použitia váhovej krivky A  $L_{pA} = 70,5 \text{ dB(A)}$ , neistota  $K = 3 \text{ dB(A)}$ . Hladina akustického výkonu za použitia váhovej krivky A  $L_{wA} = 81,5 \text{ dB(A)}$ , neistota  $K = 3 \text{ dB(A)}$ . Odporúčania pre obsluhu, aby nosila ochranu sluchu.
- Celková hodnota vibrácií  $= 1,125 \text{ m/s}^2$ , neistota  $K = 1,5 \text{ m/s}^2$ . Deklarovaná celková hodnota vibrácií bola zameraná v súlade so štandardnou skúšobnou metódou a je možné ju použiť na porovnanie jedného nástroja s druhým. Deklarovanú celkovú hodnotu vibrácií možno tiež použiť pri predbežnom posúdení expozície.



### VAROVANIE!

Emisie vibrácií počas skutočného používania elektrického náradia sa môžu líšiť od deklarovanej celkovej hodnoty v závislosti od spôsobu, akým je náradie používané.

Je potrebné identifikovať bezpečnostné opatrenia na ochranu obsluhu, ktoré sú založené na odhade expozície v skutočných podmienkach použitia (s prihliadnutím na všetky časti prevádzkového cyklu, ako sú doby, kedy je nástroj vypnutý a kedy beží naprázdno okrem doby spúšťania).

## NÁVODY

Načítajte QR kódom na prednej strane príručky alebo choďte na [www.rapid.com](http://www.rapid.com), kde môžete využiť 2-ročnú predĺženú záruku a prezrieť si naše výukové videá:

- Ako vymeniť cievky;
- Ako s nástrojom zaobchádzať;
- Ako vymeniť opotrebitelné diely;

## PREVÁDZKA A POUŽÍVANIE

### ZAPNUTIE VIAZACIEHO STROJA

Uistite sa, že je nástroj v dobrom prevádzkovom stave.

Vložte nabitú batériu do napájacieho konektora viazacieho stroja

Stlačte tlačidlo napájania, displej sa rozsvieti a budete počuť dlhé, 3 krátke a dlhé pipnutie.

### VIAZANIE


Umiestnite vetvy do viazacieho ústia  
Stlačením spúšte vytvorte uzol  
Uvoľnite spúšť a odoberte nástroj z vetvy

Opakujte pre vytvorenie ďalšieho uzla

## VLOŽENIE NOVÉ CIEVKY POMOCOU SMART CUT

### **POZOR!! ABY STE NÁSTROJ EFEKTÍVNE ZNOVU NABILI, POSTUPUJTE PODĽA TĚCHO 8 KROKOV**

1. Prestaňte viazať, keď máte 4-5 závitov zostávajúcего drôtu na cievke; viď obrázok G1
2. Podržte spúšť po dobu 4-5s, kým sa vodiaci hák nezablokuje v aktívnej polohe, potom uvoľnite. Smart cut je aktivovaný; viď obrázok G2  
Nevypínajte stroj a ešte nestláčajte spúšť  
Otvorte pracku a odoberte vonkajší kryt
3. Odstráňte použitú cievku so zvyšným drôtom a zaviažte do ústia háčika; viď obrázok G3
4. Teraz raz stlačte spúšť pre deaktiváciu inteligentného rezu a odoberte viazací materiál z úst háčika; viď obrázok G4
5. Vložte novú cievku priamo do zásobníka.  
Odstráňte "koncovú fixačnú pásku"; viď obrázok G5.
6. Vložte drôt naplocho do podávacej trysky, kým drôt nedosiahne doraz, a stlačením spúšte zasunúť vložený drôt; viď obrázok G6

 ! Uistite sa, že je drôt zasunutý zhora a nie zospodu. Tiež sa uistite, že drôt nie je skrútený a zauzlovaný.

7. Odstráňte hlavnú upevňovaciu pásku; viď obrázok G7
8. Nasadte späť kryt držiaka cievky a stlačte spúšť, kým nebudete mať prijateľnú dĺžku; viď obrázok G8

## NASTAVENIE ÚROVNE KRÚTENIA

Abyste boli uzly optimálne pre typ viazaných vetiev, môžete upraviť počet skrútek výberom „Úroveň skrútenia“.

|   | Voľič skrúťov |   |   |   |
|---|---------------|---|---|---|
| Úroveň krútenia  | 1             | 2 | 3 | 4 |
| Počet skrúťov   | 2             | 3 | 4 | 5 |

## SIGNALIZÁCIA PÍPNUTIA PORÚCH

| Počet zvukov bzúčiaka | Zlyhanie                  | Metóda riešenia                                |
|-----------------------|---------------------------|--|
| Jedno pípnutie        | Porucha kapacity batérie  | Skontrolujte, či nie je kapacita batérie nízka |
| Viacnásobné pípnutie  | Interné zlyhanie nástroja | Nástroj vyžaduje kvalifikovaný servis          |

## POUŽÍVANIE A STAROSTLIVOSŤ O BATÉRIE

### **POZOR!!**

1. Používajte iba nabíjačku batérií dodanú spolu s náradím, použitie iných nabíjačiek môže spôsobiť požiar.
2. Batériu používajte, nabíjajte a skladujte iba v stanovenom teplotnom rozsahu.
3. Pri teplote nižšej ako +4C° môže byť ovplyvnená kapacita batérie a znížený počet cyklov.
4. Neskratujte batériu a zaistite, aby sa k nej ned-

ostali vodivé predmety, keď sa nepoužíva.

5. Batériu nerozoberajte.
6. Batériu nepoužívajte v blízkosti žiadneho zdroja tepla.
7. Nevhadzujte batériu do ohňa ani do vody.
8. Nepoškodzuje batériu.
9. Nepoužívajte batériu, ktorá je poškodená, zdeformovaná alebo skorodovaná.
10. Na batériu nevykonávajte spájkovanie ani zváranie.
11. Nepoužívajte batériu na inom zariadení, než je určené.
12. Nevkladajte batériu do mikrovlnnej rúry.
13. Nepoužívajte batériu, ktorá vyteká.
14. Uchovávajte batériu mimo dosahu DETÍ.
15. Pokiaľ sa dostanete do kontaktu s vytekajúcou batériou, okamžite sa umyte čistou vodou.

## NABÍJANIE BATÉRIE

Pripojte batériu k nabíjačke a zapojte zástrčku nabíjačky do elektrickej zásuvky. LED indikátor na nabíjačke sa počas nabíjania rozsvieti ČERVENE a po úplnom nabíí batérie sa rozsvieti ZELENY, viď obrázok E2.

### **POZORI!**

## NABÍJANIE BATÉRIE

1. Počas nabíjania je normálne, že sa nabíjačka a batéria zahrievajú.
2. Poškodenú batériu nenabíjajte a nabíjačku ani batériu nerozoberajte.
3. Batériu nabíjajte iba v stanovenom teplotnom rozsahu.
4. Neumiestňujte batériu do blízkosti zdroja tepla s vysokou teplotou, batéria môže v ohni alebo pri dlhodobom vystavení vysokoteplotnému zdroju tepla explodovať.
5. Nenabíjajte batériu vo vonkajšom alebo vlhkom prostredí.

## ULOŽENIE BATÉRIE

1. Aby ste zaistili dobré skladovanie batérie, udržujte ju v stanovenom teplotnom rozsahu.
2. Ak sa zariadenie nebude dlhšiu dobu používať, pred uskladnením vyberte a nabíte batériu.
3. Pri skladovaní sa odporúča umiestniť batériu a nabíjačku do krabice na náradie.
4. Batéria by mala byť skladovaná v suchom prostredí mimo dosahu akýchkoľvek horľavých látok.

## POUŽÍVANIE NABÍJAČKY

### **POZORI!**

Pre zaistenie bezpečnosti zariadenia používajte originálnu nabíjačku.

Používajte iba nabíjačku v dobrom stave a nikdy sa nepokúšajte používať chybnú nabíjačku.

Uistite sa, že napájacie napätie zodpovedá menovitému napätiu na typovom štítku nabíjačky.

Ak nabíjačku nepoužívate, odpojte ju od zdroja napájania.

Nepoužívajte nabíjačku vo vonkajšom alebo vlhkom prostredí. Vniknutie nečistôt alebo vody zvýši riziko úrazu elektrickým prúdom.

Nabíjačka sa smie používať iba na nabíjanie pôvodnej batérie, inak môže dôjsť k zraneniu osôb a požiaru. Zabráňte akémukoľvek poškodeniu nabíjačky, poškodená nabíjačka môže zvýšiť riziko úrazu elektrickým prúdom.

Nepoužívajte nabíjačky na horľavé povrchy (napr. papier, textil)

Ak je poškodený napájací kábel nabíjačky, musí ho vymeniť kvalifikovaný personál.

## ÚDRŽBA



### VAROVANIE!!

Pred akoukoľvek údržbou odpojte batériu

### PRAVIDELNÉ ČISTENIE

**Nástroj je potrebné utrieť vlhkou handričkou.**

Pomocou štetca alebo kedy odstráňte cudzie predmety z vodiacej dráhy, otočného kolieska a podávacieho zásobníka.

! Nepoužívajte žiadne čistiace prostriedky, inak môže dôjsť k trvalému poškodeniu nástroja.

### MAZANIE

Používajte dobrý viacstupňový olej, napríklad 3-IN-ONE alebo 15W-40. Namažte každý pohyblivý kĺb a frézu, viď obrázok A13.

### VÝMENA PODÁVACIEHO ZARIADENIA

Keď podávacie koliesko už nepodáva drôt, odporúča sa výmena. Číslo dielu sady: 5001602

### VÝMENA ZARIADENIA TWIST & HOOK ZARIADENIA

V prípade, že sa krútiace koleso prestane krútiť alebo skončí so zlým krútením, odporúčame výmenu.

Číslo dielu sady: 5001603

### VÝMENA BRZDOVÉHO ZARIADENIA

Keď je O-krúžok medzi rotačnou brzdou a nábojom pevnej brzdy opotrebovaný, odporúča sa výmena.

Číslo dielu sady: 5001604

### ZOZNAM NÁHRADNÝCH DIELOV

#### ŠADA A: REZACIE ZARIADENIA

Číslo výrobku 5001601

| POZÍCIA | POPIS               | MNOŽSTVO |
|---------|---------------------|----------|
| 76.     | Pevná čepeľ         | 1        |
| 77.     | Vodiaci blok čepele | 1        |
| 81.     | Mobilná čepeľ       | 1        |

#### ŠADA B: PODÁVACIE ZARIADENIA

Číslo výrobku 5001602

| POZÍCIA | POPIS          | MNOŽSTVO |
|---------|----------------|----------|
| 80.     | Gumové koleso  | 3        |
| 64.     | Poisťný krúžok | 3        |

#### ŠADA C: ZARIADENIE TWIST & HOOK

Číslo výrobku 5001603

| POZÍCIA | POPIS              | MNOŽSTVO |
|---------|--------------------|----------|
| 61.     | Zväzkové koleso    | 1        |
| 62.     | Šesthranná skrútka | 1        |
| 68.     | Hlavný hák         | 1        |
| 69.     | Kolík              | 1        |
| 54.     | Vodiaci blok       | 1        |

#### ŠADA D: BRZDOVÉ ZARIADENIA

## Číslo výrobku 5001604

| POZÍCIA | POPIS           | MNOŽSTVO |
|---------|-----------------|----------|
| 5.      | Hlavová skrútka | 1        |
| 6.      | Ploché tesnenie | 1        |
| 8.      | Krúžok          | 1        |
| 11.     | Páska           | 1        |

## SADA E: NŮŽKY

Číslo výrobku 5001605

## DOPLŇUJÚCE SERVISNÉ INFORMÁCIE

Nájdete na [www.rapid.com](http://www.rapid.com)

## ZÁRUKA

### I. ZÁRUČNÁ DOBA

Na tento výrobok RAPID sa vzťahuje záruka po dobu troch (3) rokov v rámci záruky výrobcu (alebo komerčnej záruky), od dátumu dodania koncovému užívateľovi (s výnimkou opotrebitelných dielov, príslušenstva, batérií a nabíjačiek). Na batérie a nabíjačky je poskytovaná záruka dva (2) roky. Ak chcete predĺžiť záruku na náradie na päť (5) rokov, zaregistrujte sa online na [www.rapid.com](http://www.rapid.com) alebo naskenujte QR kód. Uchovajte doklad o kúpe.

### II. ZÁRUČNÉ PODMIENKY

V rámci záruky výrobca nie je možné uplatniť produkty, ktoré sú abnormálne používané alebo prevádzkované v iných podmienkach, než pre aké je výrobok určený, najmä pokiaľ ide o body uvedené v tomto návode na použitie. Záruka sa tiež nevzťahuje na prípad otrasu, pádu, nedbanlivosti, nedostatočného dohľadu a/alebo údržby. Akákoľvek zmena, premena alebo úprava vykonaná na produktoch koncovým užívateľom robí záruku neplatnú. Na opotrebitelné diely, príslušenstvo a/alebo spotrebný materiál sa záruka nevzťahuje.

Za príslušenstvo, opotrebitelné diely alebo spotrebný materiál sa považuje:

prepravny kufrik a obal, cievky s drôtom a sady náhradných dielov (KIT A až KIT E), ktoré sú súčasťou tejto užívateľskej príručky.

### III. REKLAMÁCIA V ZÁRUKU

Záručná doba začína plynúť odo dňa dodania koncovému užívateľovi.

V prípade reklamácie v rámci záruky musí byť produkt vrátený v pôvodnom obale (vrátane batérií a nabíjačky) spolu s kópiou originálu účtenky s vyznačeným dátumom kúpy.

## LIKVIDÁCIA BATÉRIE

Vyčerpané akumulátory treba zo zariadenia odstrániť a zlikvidovať bezpečným spôsobom.

Batérie nemožno likvidovať s bežným domácim odpadom, môžu obsahovať toxické ťažké kovy a podliehajú predpisom o nebezpečnom odpade.

Z tohto dôvodu zlikvidujte použité batérie v miestnom zbernom mieste



2012/19/EU

SK Odpad z elektrických a elektronických zariadení (OEEZ)

Elektrické a elektronické zariadenia obsahujú materiály a látky, ktoré môžu mať škodlivé účinky na ľudské zdravie a životné prostredie. Tento symbol

na zariadení, prísľušenstve alebo obale znamená, že s týmto zariadením sa nesmie narábať ako s neriadeným komunálnym odpadom, ale musí sa zbierať osobitne! Zariadenie zlikvidujte prostredníctvom zberného miesta na recykláciu elektrických a elektronických zariadení v rámci EÚ a iných európskych krajín, ktoré prevádzkujú systémy separovaného zberu opotrebovaných elektrických a elektron-

ických zariadení. Likvidáciou zariadenia správnym spôsobom pomáhate zabrániť možnému ohrozeniu životného prostredia a verejného zdravia, ktoré by sa mohlo inak zapríčiniť nesprávnym zaobchádzaním s opotrebovanými zariadeniami. Recyklácia materiálov prispieva k šetreniu prírodných zdrojov.

## BHX50 BATERIJSKA VEZALKA

### Prevod originalnih navodil

SI

#### OPIS DELOV ORODJA

- A. Vinogradniška vezalka
- A1. Kavelj za podajanje
- A2. Ploščica za stiskanje vozlov
- A3. Kolo za zvijanje
- A4. LED luč
- A5. Sprožilac
- A6. Nosilec za kolut traku
- A7. Kolut traku
- A8. Elastični trak
- A9. Izbirnik zvijanja - minus
- A10. Zaslon
- A11. Izbirnik zvijanja - plus
- A12. Gumb za vklop
- A13. Mazanje
- B. Litijeva baterija
- B1. Gumb za sprostitve baterije
- B2. Vhodni konektor baterije
- C. Polnilac baterije
- C1. Priključek za napajanje
- C2. Polnilac z LED indikatorjem
- C3. Priključek za polnjenje
- D. Klešče
- E2. Polnjenje baterije
- F. Simboli
- F1. Pozorno preberite vsa varnostna opozorila in navodila.
- F2. Baterijo je mogoče polniti samo v zaprtih prostorih
- F3. Dvojna izolacija, ozemljitev ni potrebna.
- F4. Varen transformatorski polnilnik.
- F5. Polnjenje baterije se samodejno prekine, ko pride do pregrevanja.
- F6. Vezalke ne uporabljajte ali izpostavljajte v dežju.
- F7. Električne opreme ni mogoče odvreči med gospodinske odpadke.
- F8. Z električnimi škarjami se nikoli ne dotikajte naelektrenih predmetov.
- F9. Nosite zaščito za oči in ušesa.
- F10. Nosite zaščitne rokavice.
- F11. Opozorilni simbol z informacijami o telesnih poškodbah

#### UVOD

To orodje je namenjeno vezanju poganjkov vinske trte v vinogradih s premerom največ 25 mm.

Vezalko uporabljajte samo za predvidene namene.

Če se to orodje uporablja za druge neodobrene namene, lahko poškoduje orodje in uporabnika.

To orodje lahko uporabljajo samo odrasli ali mladi pod nadzorom odraslih.

Uporabnik orodja prevzame polno odgovornost za škodo drugim ali kakršno koli premoženjsko škodo, povzročeno zaradi kakršne koli nesreče med uporabo. Proizvajalec ne odgovarja za škodo, ki bi nastala zaradi nenormalne ali nepravilne uporabe.

#### TEHNIČNE SPECIFIKACIJE

|   |  |
|---|--|
| Baterijska vinogradniška vezalka, številka modela | BHX50  |
| Vrsta zvitka                                      | Papirni trak ali plastika  |
| Kapaciteta nosilca za trak, maks.                 | 100 m  |
| Največja zmogljivost vezanja                      | 25 mm  |
| Mere orodja V x Š x D                             | 240 x 75 x 310 mm  |
| Teža  | 1,065 kg (vklj. z baterijo)  |
| Model baterije, vrsta, napetost                   | Snemljiv model KH-B1A16BX, Li-Ion, 14,4V   |
| Kapaciteta baterije, moč, maks. moč               | 2500 mAh, 100W, 500W   |
| Pogoji polnjenja baterije                         | +4°C do +40°C  |
| Pogoji shranjevanja baterije                      | -20°C do +50°C   |
| Polnilac baterije                                 | "100-240V AC, 50-60Hz, 0,5A vhod 16,8V DC, 1,42A, priključki za dve bateriji, zaporedno polnjenje" |
| Čas polnjenja                                     | 120 minut / vsaka baterija   |
| Število vozlov na polnjenje, maks.                | ≈ 9000 vozlov  |
| Hitrost vezanja, največ neprekinjeno              | 12 vozlov/ min   |
| Pogoji delovanja                                  | +4°C do +40°C  |

#### SPLOŠNA VARNOSTNA OPOZORILO ZA ELEKTRIČNO ORODJE



**OPOZORILO!!** Preberite vsa varnostna opozorila, navodila, ilustracije in specifikacije, ki so priložena temu električnemu orodju.



Neupoštevanje vseh spodaj navedenih navodil lahko povzroči udar električnega toka, požar in/ali resne telesne poškodbe. Shranite vsa opozorila in navo-

## dila za prihodnjo uporabo.

Izraz »električno orodje« v opozorilih se nanaša na električno orodje z napajanjem iz električnega omrežja (prek napajalnega kabla) ali baterijsko električno orodje (brez napajalnega kabla).

### 1) VARNOST NA DELOVNEM OBMOČJU

- a) **Delovno mesto naj bo čisto in dobro osvetljeno.** Nesreče so lahko posledica neurejenih ali slabo osvetljenih delovnih prostorov.
- b) **Električnih orodij ne uporabljajte v okoljih, kjer obstaja možnost eksplozije, na primer ob prisotnosti vnetljivih tekočin, plinov ali prahu.** Električna orodja ustvarjajo iskre, ki lahko vnamejo prah ali hlape.
- c) **Električnega orodja ne uporabljajte v prisotnosti drugih oseb, otrok ali opazovalcev.** Zaradi odvratanja pozornosti lahko izgubite nadzor.

### 2) ELEKTRIČNA VARNOST

- a) **Vtičak električnega orodja mora ustrezati napajalni vtičnici. Vtičaka ne smete na noben način spreminjati. V primeru ozemljenih orodij ne uporabljajte adapterskih vtičev.** Nespremenjeni vtičaki in ustrezne napajalne vtičnice zmanjšajo nevarnost električnega udara.
- b) **Izogibajte se telesnemu stiku z ozemljenimi površinami, kot so pipe, radiatorji, peči in hladilniki.** Če je vaše telo ozemljeno, obstaja povečano tveganje udara električnega toka.
- c) **Električnih orodij ne izpostavljajte dežju in vlažnim pogojem.** Voda, ki vstopi v električno orodje, povečuje tveganje udara električnega toka.
- d) **Ne zlorabljajte napajalnega kabla. Nikoli ga ne uporabljajte za nošenje, vlečenje ali odklapanje napajalnega orodja. Pazite, da ne pride v stik z vročino, oljem, ostrimi robovi ali premičnimi deli.** Poškodovani ali zamotani kabli povečujejo tveganje udara električnega toka.
- e) **Ko električno orodje uporabljate na prostem, uporabite podaljšek, ki je primeren za uporabo na prostem.** Uporaba podaljška, ki je namenjen uporabi na prostem, zmanjšuje nevarnost električnega udara.
- f) **Če se ne morete izogniti uporabi električnega orodja v vlažnih prostorih, uporabljajte stikalo za prekinitev toka (RCD stikalo).** Uporaba RCD stikala zmanjšuje nevarnost električnega udara.

### 3) OSEBNA VARNOST

- a) **Pri uporabi električnega orodja bodite previdni, pazite, kaj počnete, in uporabljajte zdrav razum.** Električnega orodja ne uporabljajte, kadar ste utrujeni ali pod vplivom drog, alkohola ali zdravil. Že samo trenutek nepazljivosti med uporabo električnega orodja lahko povzroči hudo telesno poškodbo.
- b) **Uporabljajte opremo za osebno zaščito. Vedno nosite zaščitna očala.** Zaščitna oprema, kot so zaščitna maska za prah, zaščitni čevlji s podplatom z zaščito proti drsenju, zaščitna čelada ali zaščitne slušalke, ki jo uporabljamo različnim delovnim pogojem ustrezno, zmanjša nevarnost poškodb.
- c) **Preprečite nenamerni zagon. Preden orodje priklopite na vir napajanja in/ali baterijo, ga**

**dvignite ali prenašate, se prepričajte, da je stikalo za vklop/izklop v položaju za izklop.** Če med prenašanjem električnega orodja držite prst na stikalu ali priklopite orodje, na katerem je stikalo za vklop/ izklop v položaju za vklop, na vir napajanja, lahko povzročite nezgodo.

- d) **Pred vklopom orodja odstranite morebiten ključ ali izvijač za namestitvev.** Ključ ali izvijač, ki ostane na vrtečem se delu električnega orodja, lahko povzroči telesno poškodbo.
  - e) **Ne poskušajte seči predaleč. Vedno ohranjajte stabilen položaj nog in ravnotežje.** Tako boste lažje nadzorovali električno orodje v nepričakovanih okoliščinah.
  - f) **Oblecite se primerno. Ne nosite ohlapnih oblačil ali nakita.** Las, oblačil in rokavic ne približujete premičnim se delom. Premični deli lahko zagrabijo ohlapna oblačila, nakit ali dolge lase.
  - g) **Če so priložene naprave za priključitev pripomočkov za odstranjevanje in zbiranje prahu, poskrbite, da bodo te priključene in pravilno uporabljene.** Uporaba pripomočkov za zbiranje prahu zmanjšuje s tem povezane nevarnosti.
  - h) **Ne dovolite, da vam znanje, pridobljeno s pogosto uporabo orodij, omogoča, da postanete samozadovoljni in prezrete načela varnosti orodij.** Nepazljivo ravnanje lahko v nekaj sekundah povzroči hude poškodbe.
- ### 4) UPORABA IN NEGA ELEKTRIČNEGA ORODJA
- a) **Električnega orodja ne uporabljajte na silo. Električno orodje uporabljajte samo za ustrezne namene.** Z ustreznim električnim orodjem boste delo bolje opravili, uporaba orodja za namen, za katerega je bilo zasnovano, pa je tudi varnejša.
  - b) **Ne uporabljajte električnega orodja, na katerem ne deluje stikalo za vklop/izklop.** Katero koli električno orodje, ki ga ne morete krmiliti s stikalom, je nevarno in ga je treba popraviti.
  - c) **Preden napravite kakršne koli prilagoditve, zamenjate dodatno opremo ali električno orodje shranite, iztaknite vtičak iz vira napajanja in/ali odstranite baterijo.** Ti preventivni varnostni ukrepi zmanjšujejo tveganje nenamernega zagona električnega orodja.
  - d) **Električno orodje v pripravljenosti hranite zunaj dosega otrok. Ne dovolite, da električno orodje uporabljajo osebe, ki niso seznanjene z njegovo uporabo ali temi navodili.** Električna orodja so v rokah neusposobljenih uporabnikov nevarna.
  - e) **Skrbite za vzdrževanje električnih orodij. Preverite, ali so kateri gibljivi deli nepravilni ali prekržani, zlomljeni oz. ali je vidno katero drugo stanje, ki lahko vpliva na delovanje naprave. Poškodovano električno orodje pred uporabo odnesite na popravilo.** Številne nesreče so posledica neustreznega vzdrževanja električnega orodja.
  - f) **Rezalno orodje naj bo ostro in čisto.** Pravilno vzdrževana rezalna orodja z ostrimi rezalnimi robovi so varnejša in jih je lažje upravljati.
  - g) **Električna orodja, dodatno opremo in dele orodja itd. uporabljajte v skladu s temi navodi-**



li, upoštevajte pa tudi delovne pogoje in vrsto dela, ki ga želite opraviti. Uporaba električnih orodij za dela, za katera niso namenjena, je lahko nevarno.

- h) **Naj bodo ročaji in prijemljive površine suhi, čisti in brez olj in maščob.** Drseči ročaji in oprijemljive površine ne omogočajo varnega upravljanja in nadzora orodja v nepričakovanih situacijah.

## 5) UPORABA IN VZDRŽEVANJE AKUMULATORSKIH ORODJI

- a) **Akumulatorske baterije polnite samo s polnilniki, ki jih priporoča proizvajalec.** Polnilnik, ki je namenjen določeni vrsti akumulatorskih baterij, se lahko vname, če ga boste uporabljali za polnjenje drugačnih akumulatorskih baterij.
- b) **V električnih orodjih uporabljajte le akumulatorske baterije, ki so zanje predvidene.** Uporaba drugih akumulatorskih baterij lahko povzroči telesne poškodbe ali požar.
- c) **Akumulatorska baterija, ki je ne uporabljate, ne sme priti v stik s kovinskimi predmeti, kot so pisarniške sponke, kovanci, ključji, žebliji, vijaki in drugi manjši kovinski predmeti, ki bi lahko povzročili premostitev kontaktov.** Kratak stik med akumulatorskimi kontakti ima lahko za posledico opekline ali požar.
- d) **V primeru napačne uporabe lahko iz akumulatorske baterije izteče tekočina. Izogibajte se stiku z njo. Če tekočina vseeno po naključju pride v stik s kožo, jo sperite z vodo.** Če pride tekočina v oči, poiščite zdravniško pomoč. Iztekajoča akumulatorska tekočina lahko povzroči draženje ali opekline.
- e) **Ne uporabljajte poškodovanih ali prilagojenih akumulatorskih baterij oz. orodij.** Poškodovane ali prilagojene akumulatorske baterije se lahko nepredvidljivo obnašajo, kar lahko povzroči požar, eksplozijo ali tveganje za poškodbe.
- f) **Akumulatorske baterije ali orodja ne izpostavljajte ognju ali previsoki temperaturi.** Izpostavljenost ognju ali vročini nad 130 °C lahko povzroči eksplozijo.
- g) **Upoštevajte navodila za polnjenje in ne polnite akumulatorske baterije ali orodja pri temperaturi, ki je izven območja, navedenega v navodilih.** Če orodje polnite na nepravilen način ali pri temperaturah, ki so izven določenega območja, lahko pride do poškodb akumulatorske baterije, kar poveča tveganje za požar.
- 6) **SERVISIRANJE**
- a) **Servis električnega orodja naj opravlja samo usposobljen serviser, ki naj uporabi samo ustrezne nadomestne dele.** Samo tako boste ohranili varnost električnega orodja.
- b) **Nikdar ne popravljajte poškodovanih akumulatorskih baterij.** Akumulatorske baterije naj popravlja le proizvajalec ali pooblaščen serviser.

## VARNOSTNA OPOZORILO ZA VEZALKO



### OPOZORILO!

1. Med delovanjem ne odstranjujte sprednjega pokrova. Da se izognete telesnim poškodbam, držite prednji del vezalke med zavezovanjem stran

od katerega koli dela telesa.

2. Ko je vezanje končano, orodje previdno premaknite na naslednji delovni položaj. Previdno ravnanje z orodjem bo zaščitilo upravljalca in podaljšalo življenjsko dobo vezalke.
3. Vezalke ne uporabljajte v dežju, voda v orodju jo lahko poškoduje.
4. Izdelek je zasnovan za vezanje vinske trte in drugih vej do največjega premera 25 mm. Delovanje izven tega dosega lahko poškoduje orodje ali skrajša življenjsko dobo.
5. Pred vsakim poskusom odstranitve zataknjenega podajalnega kavlja ali žice za vezanje izklopite napajanje.
6. Prepričajte se, da je dovolj prostora, da se kavelj za podajanje premika, če pride do motenj v gibanju, je lahko rezultat vezanja slab.
7. Orodja ne uporabljajte v bližini vnetljivih tekočin ali plinov. Če pride do kratkega stika, lahko pride do eksplozije ali požara.
8. Sistem za podajanje je treba pogosto preverjati in čistiti. Če se v podajalni poti naberejo tuji materiali, bo to vplivalo na delovanje privezovanja in povečalo obremenitev opreme. Garancija izdelka ne krije škode, ki nastane zaradi napačnega vzdrževanja.
9. Ne poskušajte sami popraviti orodja, razen če ste bili usposobljeni. Popravila, ki niso navedena v tem priročniku, lahko opravi samo osebje našega servisnega centra.

## EMISIJA HRUPA/VIBRACIJE

- A-utežena raven zvočnega tlaka  $L_{pA} = 70,5$  dB(A), negotovost  $K=3$  dB(A). A-utežena raven zvočne moči  $L_{wA} = 81,5$  dB(A), negotovost  $K=3$  dB(A). Priporočilo za uporabnika, da nosi zaščito za sluh.
- Skupna vrednost vibracij  $= 1,125$  m/s<sup>2</sup>, negotovost  $K=1,5$  m/s<sup>2</sup>. Deklarirana skupna vrednost vibracij je bila izmerjena v skladu s standardno preskusno metodo in se lahko uporablja za primerjavo enega orodja z drugim. Deklarirana skupna vrednost vibracij se lahko uporabi tudi pri predhodni oceni izpostavljenosti.



### OPOZORILO!

Emisija tresljajev med dejansko uporabo električnega orodja se lahko razlikuje od deklarirane skupne vrednosti, odvisno od načina uporabe orodja.

Treba je opredeliti varnostne ukrepe za zaščito uporabnika, ki temeljijo na oceni izpostavljenosti v dejanskih pogojih uporabe (ob upoštevanju vseh delov delovnega cikla, kot so časi, ko je orodje izklopljeno in ko deluje v prostem teku, dodatno k času delovanja).

## NAVODILA

Skenirajte QR kodo na sprednji strani navodil ali obiščite [www.rapid.com](http://www.rapid.com), da izkoristite 2-letno podaljšanje garancije in dostopajte do naših videov navodil:

- Kako zamenjati kolute;
- Kako ravnati z orodjem;
- Kako zamenjati obrabljene dele.

## DELOVANJE IN UPORABA

## VKLOP VEZALKE

Prepričajte se, da je orodje v dobrem delovnem stanju.

Napolnjeno baterijo vstavite v napajalni priključek vezalke.

Pritisnite gumb za vklop, zaslon zasveti in zaslišali boste dolg, 3 kratke in dolg pisk.

## VEZANJE

Postavite veje v usta kavlja za vezanje

Pritisnite sprožilec, da naredite vozelj

Sprostite sprožilec in odstranite orodje iz veje

Ponovite za naslednji vozelj

## NALOŽITE NOV KOLUT TRAKU Z UPORABO SMART CUT



### POZOR!! UPOŠTEVAJTE TEH 8 KORAKOV ZA UČINKOVITO PONOVO POLNLENJE ORODJA

1. Nehajte vezati, ko vam ostane 4-5 zavojev traku na kolutu; glej sliko G1
2. Držite sprožilec 4-5 sek., dokler se kavelj za podajanje ne zaskoči v aktivnem položaju, nato ga spustite. Smart Cut je aktiviran; glej sliko G2  
Stroja ne izklopote in ne pritiskajte še na sprožilec  
Odpriete vlečno zaponko in odstranite zunanji pokrov
3. Odstranite uporabljen kolut s preostalim trakom in vozelj v kavlju; glej sliko G3
4. Sedaj enkrat pritisnite sprožilec, da deaktivirate Smart Cut in odstranite vozelj iz kavlja; glej sliko G4
5. Nov kolut vstavite v nosilec koluta. Odstranite pritrdilni trak začetka traku za vezanje; glej sliko G5.
6. Plosko porinite trak v dovodno šobo, dokler trak ne doseže končnega omejevalnika, nato pritisnite sprožilec, da vstavite trak; glej sliko G6



! Pazite, da je žica vstavljena od zgoraj in ne od spodaj. Prepričajte se, da žica ni zvita in zavozlana.

7. Odstranite glavni pritrdilni trak; glej sliko G7
8. Pokrov nosilca kolutov postavite nazaj in pritiskajte na sprožilec, dokler ne dosežete sprejemljivega zavezovanja; glej sliko G8

## PRILAGODITEV STOPNJE ZVIJANJA

Če želite, da so vozli optimalni glede na vrsto vej, ki jih zavežete, lahko prilagodite število zavojev z izbiro "Stopnja zvijanja".

| Izbirnik zvijanja |   |   |   |   |
|-------------------|---|---|---|---|
| Stopnja zvijanja  | 1 | 2 | 3 | 4 |
| Število zavojev   | 2 | 3 | 4 | 5 |

## ZVOČNI ZNAKI ZA OKVARE

| Pogostost zvočnega signala | Okvara                       | Rešitev okvare                               |
|----------------------------|------------------------------|--|
| En pisk                    | Napaka zmogljivosti baterije | Preverite, ali je zmogljivost baterije nizka |
| Več piskov                 | Notranja okvara orodja       | Orodje potrebuje kvalificiran servis         |

## UPORABA IN NEGA BATERIJE



### POZOR!!

1. Uporabljajte samo polnilnik baterij, ki je priložen skupaj z orodjem, uporaba drugih polnilcev lahko povzroči požar.
2. Baterijo uporabljajte, polnite ali hranite samo v določenem temperaturnem območju.
3. Pod +4C° se lahko zmanjša zmogljivost baterije in zmanjša število ciklov.
4. Ne povzročajte kratkega stika baterije in poskrbite, da prevodni predmeti niso v stiku z baterijo, ko ni v uporabi.
5. Ne razstavljajte baterije.
6. Baterije ne uporabljajte v bližini vira toplote.
7. Baterije ne postavljajte v ogenj ali vodo.
8. Ne poškodujte baterije.
9. Ne uporabljajte poškodovane, deformirane ali korodirane baterije.
10. Ne spajkajte ali varite baterije.
11. Te baterije ne uporabljajte na drugih orodjih ali opremi.
12. Baterije ne postavljajte v mikrovalovno pečico.
13. Ne uporabljajte baterije, ki pušča.
14. Baterijo hranite izven dosega OTROK.
15. Če pridete v stik z baterijo, ki pušča, takoj sperite s čisto vodo.

## POLNLENJE BATERIJE

Priključite baterijo na polnilnik in priključite vtičak polnilnika v električno vtičnico. LED indikator na polnilniku med polnjenjem sveti RDEČO in ko je baterija popolnoma napolnjena zasveti ZELENLO, glejte sliko E2.



### POZOR!!

## POLNLENJE BATERIJE

1. Med polnjenjem je normalno, da sta polnilnik in baterija topla.
2. Ne polnite poškodovane baterije in ne razstavljajte polnilnika ali baterije.
3. Baterijo polnite samo v določenem temperaturnem območju.
4. Baterije ne postavljajte v bližino visokotemperaturnega vira toplote, saj lahko baterija eksplodira v požaru ali dolgotrajni izpostavljenosti visokotemperaturnemu viru toplote.
5. Baterij ne polnite v zunanem ali vlažnem okolju.

## SHRANJEVANJE BATERIJE

1. Za dobro shranjevanje baterije jo hranite v določenem temperaturnem območju.
2. Če opreme dalj časa ne uporabljate, pred shranjevanjem odstranite in napolnite baterijo.
3. Priporočljivo je, da baterijo in polnilnik hranite v škattli za orodje.
4. Baterijo hranite v suhem okolju, stran od vnetljivih snovi.

## UPORABA IN NEGA POLNILNIKA



### POZOR!!

Za varnost opreme uporabite originalni polnilnik. Uporabljajte samo polnilnik v dobrem stanju in nikoli ne poskušajte uporabljati pokvarjenega polnilnika. Prepričajte se, da se napajalna napetost ujema z

nazivno napetostjo označeno na polnilniku.

Ko polnilnik ne uporabljate, ga izključite iz električnega omrežja.

Polnilnika ne uporabljajte v zunanjem ali vlažnem okolju. Vdor umazanije ali vode poveča tveganje električnega udara.

Polnilnik se uporablja samo za polnjenje originalne baterije, sicer lahko povzroči telesne poškodbe in požar.

Izogibajte se poškodbam polnilnika, poškodovan polnilnik lahko poveča tveganje električnega udara.

Ne uporabljajte polnilnikov na vnetljivih površinah (npr. papir, tekstil)

Če je napajalni kabel polnilnika poškodovan, ga mora zamenjati usposobljeno oseboje.

## VZDRŽEVANJE



### OPOZORILO!!

Pred vsakim vzdrževanjem odklopite baterijo

### GENERALNO ČIŠČENJE PO VSAKEM KONČANEM KOLUTU

Orodje je treba obrisati z mokro krpo.

Uporabite čopič ali podobno, da odstranite tujke na dovodni šobi, kolesu za zvijanje in nosilcu za kolut.

Ne uporabljajte čistilnih sredstev, ker lahko trajno poškodujete orodje.

### OLJE IN MAZANJE PO VSAKEM DELOVNEM DNEVU

Uporabite dobro večgradno olje, na primer 3-IN-ONE ali 15W-40. Podmazite vsak premični spoj in rezalnik, glejte sliko A13.

### ZAMENJAVA NAPRAVE ZA VSTAVLJANJE TRAKU

Ko kolo za vstavljanje traku ne dovaja več traku, je priporočljiva zamenjava. Šifra kompleta: 5001602

### ZAMENJAVA KOLESA ZA ZVIJANJE IN KAVLJA

V primeru, da kolo za zavijanje preneha zavijati ali dela slabe zavoje, je priporočljiva zamenjava. Šifra kompleta: 5001603

### ZAMENJAVA ZAVORNE NAPRAVE

Ko je O-obroč med vrtljivo zavoro in fiksnim pestom zavoje obrabljen, je priporočljiva zamenjava. Šifra kompleta: 5001604

### SEZNAM REZERNIH DELOV

#### KOMPLET A: NAPRAVA ZA REZANJE ŠIFRA 5001601

| POZICIJA | OPIS               | KOLIČINA |
|----------|--------------------|----------|
| 76.      | Fiksno rezilo      | 1        |
| 77.      | Blok vodila rezila | 1        |
| 81.      | Mobilno rezilo     | 1        |

#### KOMPLET B: NAPRAVA ZA VSTAVLJANJE TRAKU ŠIFRA 5001602

| POZICIJA | OPIS           | KOLIČINA |
|----------|----------------|----------|
| 80.      | Gumijasto kolo | 3        |
| 64.      | Vskočnik       | 3        |

#### KOMPLET C: KOLO ZA ZVIJANJE IN KAVELJ ŠIFRA 5001603

| POZICIJA | OPIS | KOLIČINA |
|----------|------|----------|
|----------|------|----------|

|     |                  |   |
|-----|------------------|---|
| 61. | Kolo za zvijanje | 1 |
| 62. | Hex vijak        | 1 |
| 68. | Glavni kavelj    | 1 |
| 69. | Zatič            | 1 |
| 54. | Blok vodila      | 1 |

#### KOMPLET D: ZAVORNA NAPRAVA ŠIFRA 5001604

| POZICIJA | OPIS           | KOLIČINA |
|----------|----------------|----------|
| 5.       | Vijak za glavo | 1        |
| 6.       | Ravno tesnilo  | 1        |
| 8.       | Obroč          | 1        |
| 11.      | Trak           | 1        |

#### KOMPLET E: KLEŠČE

ŠIFRA 5001605

#### DODATNE SERVISNE INFORMACIJE

Poglej na [www.rapid.com](http://www.rapid.com)

#### GARANCIJA

##### I. GARANCIJSKA DOBA

Za ta izdelek RAPID velja garancija za tri (3) leta v skladu z garancijo proizvajalca (ali komercialno garancijo), od datuma dobave končnemu uporabniku (razen obrabnih delov, dodatkov, baterij in polnilcev). Garancija na baterije in polnilce traja dve (2) leti. Če želite garancijo orodja podaljšati na pet (5) let, se registrirajte na spletu na [www.rapid.com](http://www.rapid.com) ali skenirajte QR kodo. Imejte svoje orodje in račun.

##### II. GARANCIJSKI POGOJI

Proizvajalčeve garancije ni mogoče zahtevati za izdelke, ki se uporabljajo na kakršen koli nenormalen način ali delujejo v pogojih, ki se razlikujejo od predvidenih, zlasti glede točk, navedenih v tem navodilu za uporabo. Garancija tudi ne velja v primeru udarca, padca, malomarnosti, pomanjkanja nadzora in/ali vzdrževanja. Vsaka sprememba, preoblikovanje ali modifikacija izdelkov s strani končnega uporabnika povzroči, da garancija zastara. Garancija nikoli ne krije obrabnih delov, dodatkov in/ali potrošnega materiala.

Kot dodatki, obrabni deli ali potrošni material se štejejo:

transportni kovček in embalaža, koluti s trakom in kompleti rezervnih delov (KIT A do KIT E), vključeni v ta navodila za uporabo.

##### III. GARANCIJSKI ZAHTEVEK

Garancijski rok teče od dneva dobave končnemu uporabniku.

V primeru reklamacije v okviru garancije je treba izdelek vrniti v originalnem kovčku (baterije in polnilnik vključeni) skupaj s kopijo originalnega računa z datumom.

#### ODSTRANJEVANJE BATERIJE

Izpraznjene baterije vzemite iz aparata in jih varno zavrzite.

Baterij ne smete odvreči skupaj z običajnimi gospodinjstvi odpadki, ker lahko vsebujejo strupene težke kovine in zanje veljajo predpisi o nevarnih odpadkih. Zato rabljene baterije zavrzite na lokalni zbirni točki.

2012/19/EU



## SI Odpadna električna in elektronska oprema (OEEO)

Električne in elektronske naprave vsebujejo materiale in snovi, ki lahko škodljivo vplivajo na zdravje ljudi in okolje.. Ta simbol pomeni, da s to napravo ne smete ravnati kot z nesortiranimi komunalnimi odpadki, ampak jo je treba zbirati ločeno! Napravo zavržite na zbirnem mestu za recikliranje

odpadne električne in elektronske opreme znotraj EU in drugih evropskih držav, ki upravljajo ločene sisteme za zbiranje odpadne električne in elektronske opreme. Če pravilno odstranite napravo, se izognete morebitnim nevarnostim za okolje in javno zdravje, ki bi jih sicer lahko povzročila nepravilna obdelava odpadne opreme. Recikliranje materialov prispeva k ohranjanju naravnih virov.

# BHX50 BATERIJSKA VEZAČICA

## Prijevod originalnih uputa za uporabo



### OPIS DIJELOVA ALATA

- A. Vezačica za lozu
- A1. Kuka za vođenje
- A2. Ploča za kompresiju čvora
- A3. Kotač za uvijanje
- A4. LED svjetlo
- A5. Okidač
- A6. Držlač koluta za traku
- A7. Kolut za traku
- A8. Elastični remen
- A9. Birač uvijanja- minus
- A10. Zaslon
- A11. Birač uvijanja- plus
- A12. Gumb za uključivanje
- A13. Podmazivanje
- B. Litijska baterija
- B1. Gumb za otpuštanje baterije
- B2. Ulazni konektor baterije
- C. Punjač baterije
- C1. Priključak za napajanje
- C2. Punjač sa LED indikatorom
- C3. Priključak za punjenje
- D. Ključa
- E2. Punjenje baterije
- F. Simboli
- F1. Pažljivo pročitajte sva sigurnosna upozorenja i upute.
- F2. Baterija se može puniti samo u zatvorenom prostoru
- F3. Dvostruka izolacija, uzemljenje nije potrebno.
- F4. Sigurni transformatorski punjač.
- F5. Punjenje baterije automatski će se prekinuti kada dođe do pregrijavanja.
- F6. Nemojte koristiti niti izlagati vezačicu u kišnim uvjetima.
- F7. Električna oprema se ne može odlagati s kućnim otpadom.
- F8. Nikada ne dodirujte nabijene predmete električnim škarama.
- F9. Nosite zaštitu za oči i uši.
- F10. Nosite zaštitne rukavice.
- F11. Simbol upozorenja, s informacijama o ozljedama

loze u vinogradima promjera maksimalno 25 mm.

Vezačicu treba koristiti samo u predviđene svrhe.

Ako se ovaj alat koristi u druge neodobrene svrhe, može oštetiti alat i nanijeti štetu korisniku.

Ovaj alat smiju koristiti samo odrasle osobe ili mladi pod nadzorom odraslih.

Korisnik alata preuzima punu odgovornost za štetu drugima ili bilo kakvu imovinsku štetu uzrokovanu nesrećom koja se dogodi tijekom korištenja.

Proizvođač nije odgovoran za bilo kakvu štetu uzrokovanu nenormalnom ili nepravilnom uporabom.

### TEHNIČKE SPECIFIKACIJE

|  |   |
|--|---|
| Baterijska vezačica za lozu, broj modela | BHX50   |
| Vrsta role                               | Papirna traka ili plastična   |
| Kapacitet držača trake, maks.            | 100 m   |
| Maksimalni kapacitet vezivanja           | 25 mm   |
| Dimenzije alata V x Š x D                | 240 x 75 x 310 mm   |
| Težina                                   | 1.065 kg (uklj. bateriju)   |
| Model baterije, tip, napon               | Odvojni model KH-B1A16BX, Li-Ion, 14.4V   |
| Kapacitet baterije, snaga, maks. snaga   | 2500 mAh, 100W, 500W  |
| Uvjeti punjenja baterije                 | +4°C do +40°C   |
| Uvjeti skladištenja baterija             | -20°C do +50°C  |
| Punjač baterije                          | 100-240V A.C, 50-60Hz, 0.5A ulaz<br>16.8V DC, 1.42A, priključci za dvije baterije, sekvencijalno punjenje |
| Vrijeme punjenja                         | 120 minuta/svaka baterija   |
| Broj čvorova po punjenju, maks.          | ≈ 9000 čvorova  |
| Brzina vezanja, maks. kontinuirano       | 12 čvorova/ min   |
| Radni uvjeti                             | +4°C do +40°C   |

### OPĆA SIGURNOSNA UPOZORENJA ZA ELEKTRIČNE APARATE



**UPOZORENJE!!** Pročitajte sva sigurnosna upozorenja, upute, ilustracije i specifikacije koje ste dobili uz ovaj električni alat.



**Nepridržavanje ovih uputa koje su dolje prikazane može da prouzokuje električni udar, vatru, i/ili ozbiljne ozljede.**

### UVOD

Ovaj alat je namijenjen za vezivanje izdanaka vinove

## Sačuvajte sva upozorenja i upute za buduću uporabu.

Pojam "električni alat" u upozorenjima odnosi se na električni aparat povezan (kablom) na električnu mrežu ili električni alat (bez kabla) pokretan baterijom.

### 1) SIGURNOST RADNOG PODRUČJA

- a) **Držite vašu radnu površinu čistom i dobro osvijetljenom.** Nesreće mogu biti posljedica neuređenih ili slabo osvijetljenih radnih mjesta.
- b) **Ne upravljajte električnim alatima na eksplozivnim atmosferama, kao što je prisutnost zapaljivih tečnosti, plinova ili prašine.** Električni alati proizvode iskre koje mogu zapaliti prašinu ili dimove.
- c) **Udaljite pasivne posmatrača, djecu i posjetioce tijekom korištenja alata.** Ometanjima možete izgubiti kontrolu.

### 2) ELEKTRIČNA SIGURNOST

- a) **Utikači električnog alata moraju odgovarati utičnici.** Nikad ne modifi cirajte utikač na bilo koji način. Nemojte koristiti utikače adaptera s uzemljenim (uzemljen) električnim alatima. Nemodofirani utikači i odgovarajuće utičnice smanjuju opasnost od električnog udara.
- b) **Izbjegavajte kontakt tijela s uzemljenim površinama kao što su cijevi, radijatori i hladnjaci.** Postoji povećan rizik od strujnog udara ako je vaše tijelo uzemljeno.
- c) **Ne izlažite električne alate kiši ili vlažnim uvjetima.** Unos vode u električni alat povećava opasnost od strujnog udara.
- d) **Nemojte zloupotrebljavati kabel.** Nikada ne koristite kabel za nošenje, vučenje ili izvlačenje električnog alata. Držite kabel podalje od topline, ulja oštih rubova ili pomičnih dijelova. Oštećeni ili usukani kablovi povećavaju rizik od električnog udara.
- e) **Kada radite na otvorenom s električnim alatom, koristite produžni kabel za uporabu na otvorenom.** Korištenje kabla za uporabu na otvorenom smanjuje opasnost od električnog udara.
- f) **Ako je rukovanje električnim alatom na vlažnom mjestu neizbježno, koristite zaštitu napajanja s FI-sklopkom (RCD-sklopkom).** Korištenje FI-sklopke smanjuje rizik od električnog udara.

### 3) OSOBNA SIGURNOST

- a) **Ostanite pozorni, gledajte što radite i koristite zdrav razum kada radite s električnim alatom.** Ne koristite električni alat kada ste umorni ili pod utjecajem droga, alkohola ili lijekova. Trenutak nepažnje tijekom korištenja električnog alata može dovesti do ozbiljnih ozljeda.
- b) **Koristite osobnu zaštitnu opremu. Uvijek nosite zaštitu za oči.** Zaštitna oprema, kao što je maska za prašinu, neproklizavajuće sigurnosne cipele, tvrdi šešir, ili zaštita za uši, korištena za odgovarajuće uvjete smanjuje opasnost od ozljeda.
- c) **Sprječavanje nenamjernog pokretanja.** Osigurajte da je sklopka u isključenoj poziciji

prije spajanja s električnim napajanjem i/ili baterijom, dizanja ili nošenja alata. Nošenje električnog alata s vašim prstom na sklopki ili punjenje električnog alata koji je uključen poziva nesreću.

- d) **Uklonite tipku za podešavanje ili ključ prije nego što uključite električni alat.** Ključ ili tipka lijevo pričvršćena u rotirajućem dijelu električnog alata može imati za posljedicu osobnu ozljedu.
  - e) **Ne prekoračite granicu. Održavajte dovoljno odstojanje i ravnotežu u svako vrijeme.** To omogućuje bolju kontrolu električnog alata u nepredviđenim situacijama.
  - f) **Pravilno se obucite. Ne nosite labavu odjeću ili nakit.** Držite podalje vašu kosu, odjeću i rukavice od pomičnih dijelova. Labavu odjeću, nakit ili dugu kosu mogu zahvatiti pomični dijelovi.
  - g) **Ako su uređaji predviđeni za priključak izvlačenja prašine i skupljanje otpada, osigurajte da su priključeni i da se pravilno koriste.** Korištenje skupljanja prašine smanjuje opasnost od opasnosti s njom povezanih.
  - h) **Ne dopustite da vam poznavanje stečeno zbog česte uporabe alata omogući da postanete samozadovoljni i zanemarite načela sigurnosti alata.** Nepažnjom se mogu dogoditi teške ozljede u djeliću sekunde.
- ### 4) KORIŠTENJE ELEKTRIČNOG ALATA I NJEGA
- a) **Nemojte siliti električni alat. Koristite pravilan električni alat za njegovu namjenu.** Pravilnim električnim alatom radit ćete bolje i sigurnije po stopi za koju je dizajniran.
  - b) **Ne koristite električni alat ako se sklopka ne da uključiti i isključiti.** Svaki električni alat koji se ne može kontrolirati sa sklopkom je opasan i mora se popraviti.
  - c) **Izvučite utikač iz napajanja strujom i/ili baterijsko pakiranje iz električnog alata prije bilo kakvog podešavanja, zamjene pribora, ili pohranjivanja električnog alata.** Svaka preventivna mjera smanjuje opasnost od nenamjernog pokretanja električnog alata.
  - d) **Spremite alat u mirovanju izvan dohvata djece i ne dopustite korištenje električnog alata osobama koje nisu upoznate s električnim alatom ili njihovim uputama.** Električni alati su opasni u rukama neiskusnih korisnika.
  - e) **Održavanje električnih alata. Provjerite odstupanje ili vezivanje pokretnih dijelova, lom dijelova i bilo kojih uvjeta koji bi mogli utjecati na djelovanje električnog alata.** Ako je oštećen, morate popraviti električni alat prije uporabe. Mnoge nesreće su uzrokovane lošim održavanjem električnih alata.
  - f) **Držite rezni alat oštar i čist.** Pravilno održavani rezni alati s oštirim rubovima neće se zaglaviti i lakši su za vođenje.
  - g) **Koristite električni alat, pribor i bitove alata itd., u skladu s ovim uputama, uzimajući u obzir radne uvjete i radove koji se izvode.** Korištenje električnog alata za radove različite od onih namjeravanih može odvesti do opasnih situacija.
  - h) **Držite ručke i zahvatne površine suhim, čistim**

i bez ulja i masti. Klizave ručke i hvatajuće površine ne omogućuju sigurno rukovanje i kontrolu alata u neočekivanim situacijama.

## 5) Upotreba i održavanje akumulatorskih alata

- a) **Akumulatorsku bateriju puniti isključivo punjačima koje preporučuje proizvođač.** Punjač prikladan za jedan tip baterija može stvoriti opasnost od požara kada se koristi s drugim baterijama.
  - b) **Električne alate upotrebljavajte isključivo s posebnim, namjenskim kompletima baterija.** Upotreba drugih kompleta baterija može dovesti do ozljeda i opasnosti od požara.
  - c) **Komplete baterija dok ih ne upotrebljavate držite dalje od uredskih spajalica, kovanica, ključeva, čavala, vijaka ili drugih sitnih metalnih predmeta koji bi mogli uzrokovati premošćenje kontakata.** Kratki spoj između kontakata baterije može uzrokovati opekline ili požar.
  - d) **Kod pogrešne primjene iz baterije može isticati tekućina. Izbjegavajte kontakt s ovom tekućinom. Kod slučajnog kontakta zahvaćeno mjesto treba isprati vodom. Ako vam tekućina uđe u oči, zatražite pomoć liječnika.** Tekućina istekla iz baterije može uzrokovati nadražnost kože i opekline.
  - e) **Ne upotrebljavajte oštećene ili izmijenjene komplete baterija ni alate.** Oštećene ili izmijenjene baterije podložne su nepredvidivom ponašanju i mogu uzrokovati požar, eksploziju ili ozljede.
  - f) **Držite alat i komplet baterija dalje od vatre i visokih temperatura.** Izlaganje vatri ili temperaturi višoj od 130 °C može uzrokovati eksploziju.
  - g) **Pošaljite sve upute za punjenje i komplet baterija i alat ne puniti pri temperaturama izvan vrijednosti koje su propisane i navedene u uputama.** Nepravilno punjenje ili punjenje pri temperaturama višim od propisanih može oštetiti bateriju i povećati opasnost od požara.
- ## 6) SERVIS
- a) **Servisirajte električni alat od strane kvalificirane osobe, koristeći samo identične zamjenske dijelove.** Na taj način ćete očuvati sigurnost električnog alata.
  - b) **Nikada ne servisirajte oštećene komplete baterija.** Servisiranje kompleta baterija smiju obavljati isključivo proizvođači i ovlaštani serviseri.

## SIGURNOSTNA UPOZORENJA ZA VEZAČICU



### UPOZORENJE!

1. Nemojte skidati prednji poklopac u vrijeme rada. Kako biste izbjegli osobne ozljede, držite prednji dio vezačice podalje od bilo kojeg dijela tijela.
2. Nakon dovršetka vezivanja, pažljivo premjestite alat na sljedeću radnu poziciju. Pažljivo rukovanje alatom zaštitit će operatera i produžiti vijek trajanja vezačice.
3. Ne koristite vezačice po kiši, voda unutar alata može ju oštetiti.
4. Proizvod je dizajniran za vezivanje vinove loze i drugih grana do maksimalnog promjera 25 mm.

Rad izvan tog raspona može oštetiti alat ili smanjiti vijek trajanja.

5. Isključite napajanje prije bilo kakvog pokušaja uklanjaња zaglavljene kuke za vođenje ili žice za vezivanje.
6. Provjerite ima li dovoljno prostora za pomicanje kuke za vođenje, ako postoji bilo kakva smetnja u kretanju, rezultat vezivanja može biti loš.
7. Ne koristite alat u blizini zapaljivih tekućina ili plinova. Ako dođe do kratkog spoja, može doći do eksplozije ili požara.
8. Sustav za vođenje mora se često provjeravati i čistiti. Ako se strani materijali nakupe u liniji za vođenje, to će utjecati na rad vezivanja i povećati opterećenje opreme. Jamstvo za proizvod ne pokriva štetu uzrokovanu pogrešnim održavanjem.
9. Ne pokušavajte sami popraviti alat, osim ako niste obučeni. Radnje popravka koje nisu spomenute u ovom priručniku može obavljati samo osoblje našeg servisnog centra.

## EMISIJA BUKE/VIBRACIJE

- A-ponderirana razina zvučnog tlaka  $LpA = 70,5$  dB(A), nesigurnost  $K = 3$  dB(A). A-ponderirana razina zvučne snage  $LwA = 81,5$  dB(A), nesigurnost  $K = 3$  dB(A). Preporuka korisniku da nosi zaštitu za sluh.
- Ukupna vrijednost vibracija  $= 1,125$  m/s<sup>2</sup>, nesigurnost  $K = 1,5$  m/s<sup>2</sup>. Deklarirana ukupna vrijednost vibracija izmjerena je u skladu sa standardnom metodom ispitivanja i može se koristiti za usporedbu jednog alata s drugim. Deklarirana ukupna vrijednost vibracija također se može koristiti u preliminarnoj procjeni izloženosti.



### UPOZORENJE!

Emisija vibracija tijekom stvarne uporabe električnog alata može se razlikovati od deklarirane ukupne vrijednosti ovisno o načinu na koji se alat koristi.

Potrebno je identificirati sigurnosne mjere za zaštitu korisnika koje se temelje na procjeni izloženosti u stvarnim uvjetima uporabe (uzimajući u obzir sve dijelove radnog ciklusa kao što su vremena kada je alat isključen i kada radi u praznom hodu, pored vremena uporabe).

## UPUTE

Skenirajte QR kod na prednjoj strani uputa ili idite na [www.rapid.com](http://www.rapid.com) kako biste iskoristili 2-godišnje produljenje jamstva i pristupili našim video uputama:

- Kako promijeniti kolute;
- Kako rukovati alatom;
- Kako zamijeniti istrošene dijelove.

## RAD I UPOTREBA

### UKLJUČIVANJE VEZAČICE

Provjerite je li alat u dobrom radnom stanju. Umetnite napunjenu bateriju u priključak za napajanje vezačice.

Pritisnite tipku za uključivanje, zaslon će zasvijetliti i čut ćete dug, 3 kratka i dugi zvučni signal.

### VEZIVANJE

Stavite grane u usta kuke za vezanje  
Pritisnite okidač da napravite čvor


Otpustite okidač i uklonite alat s grane

Ponovite za sljedeći čvor

## UMETNITE NOV KOLUT ZA TRAKU POMOĆU SMART CUT

### PAŽNJA!! SLJEDITE TIH 8 KORAKA DA BISTE UČINKOVITO PONOVRNO NAPUNILI ALAT


1. Prestanite s vezanjem kada vam na kolutu ostane 4-5 zavoja trake; vidi sliku G1
2. Držite okidač 4-5 sek. dok se kuka za vođenje ne zaključa u aktivnom položaju, a zatim otpustite. Smart Cut je aktiviran; vidi sliku G2  
Ne isključujte stroj i ne pritisakajte još okidač  
Otvorite kopču za povlačenje i skinite vanjski poklopac
3. Uklonite iskorišteni kolut s preostalom trakom i čvor u kuki; vidi sliku G3
4. Sada pritisnite okidač jednom da deaktivirate Smart Cut i uklonite čvor iz kuke; vidi sliku G4
5. Umetnite novi kolut u držač koluta. Uklonite traku za pričvršćivanje početka trake za uvezivanje; vidi sliku G5
6. Gurnite traku ravno u dovodnu mlaznicu dok traka ne dosegne krajnji graničnik, zatim pritisnite okidač da biste umetnuli traku; vidi sliku G6

 I Pazite da je žica umetnuta odozgo, a ne odozdo. Također pazite da žica nije uvijena i čvorovana.

7. Uklonite glavnu traku za pričvršćivanje; vidi sliku G7
8. Vratite poklopac držača koluta i pritisakajte okidač dok se ne postigne prihvatljivo vezanje; vidi sliku G8

## PODEŠAVANJE RAZINE UVIJANJA

Kako bi čvorovi bili optimalni za vrstu grana koje uzmete, možete podesiti broj zavoja odabirom "Razina uvijanja".

| Birač uvijanja  |   |   |   |   |
|---|---|---|---|---|
| Razina uvijanja  | 1 | 2 | 3 | 4 |
| Broj zavoja   | 2 | 3 | 4 | 5 |

## ZVUČNI ZNAKOVI ZA KVAR

| Frekvencija zvučnog signala | Kvar                     | Rješavanje kvara                          |
|-----------------------------|--------------------------|---|
| Jedan bip                   | Kvar kapaciteta baterije | Provjerite je li kapacitet baterije nizak |
| Više bipova                 | Unutarnji kvar alata     | Alat treba kvalificirani servis           |

## UPOTREBA I NJEGA BATERIJE

### OPREZ!!

1. Koristite samo punjač baterija koji je isporučen zajedno s alatom, korištenje drugih punjača može uzrokovati požar.
2. Koristite, punite ili čuvajte bateriju samo unutar navedenog temperaturnog raspona.
3. Temperatura ispod +4C° može utjecati na kapacitet baterije i smanjiti broj ciklusa.
4. Spriječite kratki spoj baterije i pobrinite se da vodljive predmete držite podalje od baterije kada nije u upotrebi.
5. Nemojte rastavljati bateriju.

6. Nemojte koristiti bateriju u blizini izvora topline.
7. Ne stavljajte bateriju u vatru ili vodu.
8. Nemojte oštetiti bateriju.
9. Nemojte koristiti bateriju koja je oštećena, deformirana ili korodirana.
10. Nemojte lemiti niti zavarivati bateriju.
11. Nemojte koristiti ovu bateriju na drugom alatu ili opremi.
12. Ne stavljajte bateriju u mikrovalnu pećnicu.
13. Nemojte koristiti bateriju koja curi.
14. Držite bateriju izvan dohvata DJECE.
15. Ako dođete u kontakt s baterijom koja curi, odmah operite čistom vodom.

## PUNJENJE BATERIJE

Spojite bateriju na punjač i spojite utikač punjača u strujnu utičnicu. LED indikator na punjaču će biti CRVENI tijekom punjenja i postati ZELEN kada je baterija potpuno napunjena, pogledajte sliku E2.

### OPREZ!!

## PUNJENJE BATERIJE

1. Tijekom punjenja normalno je da su punjač i baterija topli.
2. Ne punite oštećenu bateriju i nemojte rastavljati punjač ili bateriju.
3. Bateriju punite samo unutar navedenog temperaturnog raspona.
4. Ne stavljajte bateriju blizu izvora topline visoke temperature, baterija može eksplodirati u vatri ili dugom izlaganju visokotemperaturnom izvoru topline.
5. Ne punite bateriju u vanjskom ili vlažnom okruženju.

## ČUVANJE BATERIJE

1. Bateriju uvijek čuvajte u određenom temperaturnom rasponu.
2. Ako se oprema ne koristi dulje vrijeme, izvadite i napunite bateriju prije skladištenja.
3. Preporuča se staviti bateriju i punjač u kutiju za alat tijekom skladištenja.
4. Bateriju treba čuvati u suhom okruženju podalje od bilo kakvih zapaljivih materija.

## UPOTREBA I NJEGA PUNJAČA

### OPREZ!!

Koristite originalni punjač kako biste osigurali sigurnost opreme.

Koristite samo punjač u dobrom stanju i nikada ne pokušavajte koristiti neispravan punjač.

Provjerite odgovara li napon napajanja nazivnom naponu navedenom na punjaču.

Isključite punjač iz napajanja kada nije u upotrebi.

Nemojte koristiti punjač u vanjskom ili vlažnom okruženju. Ulazak prljavštine ili vode povećat će rizik od strujnog udara.

Punjač se koristi samo za punjenje originalne baterije, inače može uzrokovati tjelesne ozljede i požar.

Izbjegnite bilo kakvo oštećenje punjača, oštećeni punjač može povećati rizik od strujnog udara.

Nemojte koristiti punjače na zapaljivim površinama

(npr. papir, tekstil)

Ako je strujni kabel punjača oštećen, mora ga zamijeniti kvalificirano osoblje.

## ODRŽAVANJE



### UPOZORENJE!!

Odvajite bateriju prije bilo kakvog održavanja

### GENERALNO ČIŠĆENJE NAKON SVAKOG ZAVRŠENOG KOLUTA

Alat treba obrisati mokrom krpom.

Upotrijebite kist ili slično za uklanjanje stranih tvari u vodilici, kotaču za uvijanje i držaču koluta.

Nemojte koristiti nikakva sredstva za čišćenje jer to može trajno oštetiti alat.

### ULJE I PODMAZIVANJE NAKON SVAKOG RADNOG DANA

Koristite dobro višegradno ulje, na primjer 3-IN-ONE ili 15W-40. Podmažite svaki pokretni zglobov i rezač, pogledajte sliku A13.

### ZAMJENA UREĐAJA ZA UVLAČENJE TRAKE

Kada kotač za dovod više ne dovodi traku, preporučuje se zamjena. Šifra kompleta: 5001602

### ZAMJENA KOTAČA ZA UVIJANJE I KUKU

U slučaju da kotač za uvijanje prestane uvijati ili završite s lošim zavojima, preporuča se zamjena. Šifra kompleta: 5001603

### ZAMJENA KOČNOG UREĐAJA

Kada se O-prsten između rotirajuće kočnice i fiksne glavčine kočnice istroši, preporučuje se zamjena.

Šifra kompleta: 5001604

### POPIS REZERVNIH DIJELOVA

#### KOMPLET A: UREĐAJ ZA REZANJE ŠIFRA 5001601

| POZICIJA | OPIS                  | KOLIČINA |
|----------|-----------------------|----------|
| 76.      | Fiksna oštrica        | 1        |
| 77.      | Blok vodilice oštrice | 1        |
| 81.      | Pokretna oštrica      | 1        |

#### KOMPLET B: UREĐAJ ZA UVLAČENJE TRAKE ŠIFRA 5001602

| POZICIJA | OPIS         | KOLIČINA |
|----------|--------------|----------|
| 80.      | Gumeni kotač | 3        |
| 84.      | Uskočnik     | 3        |

#### KOMPLET C: KOTAČ ZA UVIJANJE I KUKA ŠIFRA 5001603

| POZICIJA | OPIS               | KOLIČINA |
|----------|--------------------|----------|
| 61.      | Kotač za uvijanje  | 1        |
| 62.      | Šesterokutni vijak | 1        |
| 68.      | Glavna kuka        | 1        |
| 69.      | Klin               | 1        |
| 54.      | Blok vodilice      | 1        |

#### KOMPLET D: KOČNI UREĐAJ ŠIFRA 5001604

| POZICIJA | OPIS           | KOLIČINA |
|----------|----------------|----------|
| 5.       | Vijak za glavu | 1        |
| 6.       | Ravna brtva    | 1        |
| 8.       | Prsten         | 1        |
| 11.      | Traka          | 1        |

#### KOMPLET E: KLIJEŠTA

ŠIFRA 5001605

## DODATNE SERVISNE INFORMACIJE

Pogledajte na [www.rapid.com](http://www.rapid.com)

## JAMSTVO

### I. AMSTVENI ROK

Ovaj RAPID proizvod ima jamstvo proizvođača (ili komercijalno jamstvo) od tri (3) godine od datuma isporuke krajnjem korisniku (isključujući potrošne dijelove, pribor, baterije i punjače). Jamstvo na baterije i punjače je dvije (2) godine. Da biste produžili jamstvo na alat na pet (5) godina, registrirajte se online na [www.rapid.com](http://www.rapid.com) ili skenirajte QR kod. Imajte svoj alat i račun o kupnji.

### II. UVJETI JAMSTVA

Jamstvo proizvođača ne može se tražiti za proizvode koji se koriste na bilo koji nenormalan način ili rade u uvjetima drugačijim od predviđenih, posebno u pogledu točaka navedenih u ovim uputama za uporabu. Jamstvo također ne vrijedi u slučaju udara, pada, nemara, nedostatka nadzora i/ili održavanja. Svaka izmjena, transformacija ili modifikacija koju krajnji korisnik izvrši na proizvodima čini jamstvo zastarjelim. Dijelovi koji se troše, pribor i/ili potrošni materijal nikada nisu obuhvaćeni jamstvom.

Sljedeće se smatra priborom, habajućim dijelovima ili potrošnim materijalom: transportni kofer i pakiranje, koluti s trakom i kompleti rezervnih dijelova (KIT A do KIT E) uključeni u ove upute za uporabu.

### III. ZAHTEJ ZA JAMSTVO

Jamstveni rok počinje teći od datuma isporuke krajnjem korisniku.

U slučaju reklamacije pod jamstvom, proizvod se mora vratiti u originalnoj kutiji (uključene baterije i punjač) zajedno s kopijom originalnog datumskog računa.

## ODLAGANJE BATERIJE

Prazne baterije treba ukloniti iz uređaja i sigurno odložiti.

Baterije se ne smiju odlagati u uobičajenim kućnim otpadom jer mogu sadržavati otrovne teške metale i podliježu propisima o opasnom otpadu.

Iz tog razloga istrošene baterije odlažite na lokalno sabirno mjesto



2012/19/EU

HR Otpad električne i elektroničke opreme (OEO)

Električni i elektronički uređaji sadrže materijale i tvari koji mogu imati štetne učinke na zdravlje ljudi i okoliš. Ovaj simbol označava da se ovaj uređaj ne smije tretirati kao nesortirani komunalni otpad, već se mora odvojeno sakupljati! Uređaj odložite putem sabirnog mjesta za recikliranje otpadne električne i elektroničke opreme unutar EU-a i u drugim europskim zemljama koje upravljaju odvojenim sustavima za prikupljanje otpadne električne i elektroničke opreme. Pravilnim odlaganjem uređaja pomažete u izbjegavanju mogućih opasnosti za okoliš i javno zdravlje koje bi inače mogle nastati nepravilnim postupanjem s otpadnom opremom. Recikliranje materijala pridonosi očuvanju prirodnih resursa.



# ΒΗΧ50 ΜΗΧΑΝΗ ΔΕΣΙΜΑΤΟΣ ΜΕ ΜΠΑΤΑΡΙΑ

## Μετάφραση των αρχικών οδηγιών



### ΠΕΡΙΓΡΑΦΗ ΕΞΑΡΤΗΜΑΤΩΝ ΕΡΓΑΛΕΙΟΥ

- A. Μηχανή δεσίματος  
A1. Γάντζος καθοδήγησης  
A2. Πλάκα πίεσης δεσίματος  
A3. Περιστρεφόμενος τροχός  
A4. Φως LED  
A5. Σκανδάλη  
A6. Δίσκος τροφοδοσίας  
A7. Πηγίο  
A8. Ελαστικός μάντας  
A9. Επιλογέας περιστροφής- πλην  
A10. Οθόνη προβολής  
A11. Περιστροφή επιλογέα- συν  
A12. Πλήκτρο ενεργοποίησης  
A13. Λάδωμα  
B. Μπαταρία λιθίου  
B1. Κουμπί απελευθέρωσης μπαταρίας  
B2. Υποδοχή εισόδου μπαταρίας  
C. Φορτιστής μπαταρίας  
C1. Υποδοχή εισόδου ρεύματος  
C2. Ενδεικτική λυχνία LED φορτιστή  
C3. Υποδοχή φόρτισης  
D. Ψαλίδι  
E2. Φόρτιση μπαταρίας  
F. Σύμβολα  
F1. Διαβάστε προσεκτικά όλες τις προειδοποιήσεις και τις οδηγίες ασφαλείας.  
F2. Η μπαταρία μπορεί να φορτιστεί μόνο σε εσωτερικούς χώρους  
F3. Διπλή μόνωση, δεν απαιτείται γείωση.  
F4. Ασφαλής φορτιστής μετασχηματιστή.  
F5. Η φόρτιση της μπαταρίας διακόπτεται αυτόματα όταν γίνει υπερθέρμανση.  
F6. Μην χρησιμοποιείτε και την μηχανή δεσίματος σε συνθήκες βροχής.  
F7. Ο ηλεκτρικός εξοπλισμός δεν μπορεί να απορριφθεί με τα οικιακά απορρίμματα.  
F8. Να μην έρχονται σε επαφή φορτισμένα αντικείμενα με ηλεκτρικό ψαλίδι.  
F9. Φορέστε προστατευτικά ματιών και αυτιών.  
F10. Φοράτε προστατευτικά γάντια.  
F11. Προειδοποιητικό σύμβολο, με πληροφορίες για προσωπικό τραυματισμό

### ΕΙΣΑΓΩΓΗ

Αυτό το εργαλείο προορίζεται για δέσιμο βλαστών αμπέλου σε αμπελώνες με μέγιστη διάμετρο 25mm. Η μηχανή δεσίματος πρέπει να χρησιμοποιείται μόνο για τους σκοπούς που προορίζονται. Εάν αυτό το εργαλείο χρησιμοποιείται για άλλους μη εγκεκριμένους σκοπούς, μπορεί να προκαλέσει ζημιά στο εργαλείο και να προκαλέσει βλάβη στον χρήστη. Αυτό το εργαλείο πρέπει να χρησιμοποιείται μόνο από ενήλικες ή από νέους υπό την επίβλεψη ενηλίκων.

Ο χειριστής ή ο χρήστης αναλαμβάνει την πλήρη ευθύνη για τη ζημιά σε άλλους ή για οποιαδήποτε υλική ζημιά που προκαλείται από οποιοδήποτε ατύχημα που συμβαίνει κατά τη χρήση. Ο κατασκευαστής δεν φέρει ευθύνη για οποιαδήποτε ζημιά που προκαλείται από μη κανονική ή ακατάλληλη χρήση.

### ΤΕΧΝΙΚΕΣ ΠΡΟΔΙΑΓΡΑΦΕΣ

|  |   |
|--|---|
| Μηχάνημα δεσίματος με μπαταρία, αριθμός μοντέλου | ΒΗΧ50   |
| Τύπος ρολού                                      | Χάρτινο δέσιμο ή πλαστικό   |
| Χαρητικότητα γεμιστήρα, μέγ                      | 100 m   |
| Μέγιστη ικανότητα δεσίματος                      | 25 mm   |
| Διαστάση εργαλείου Y x Π x Μ                     | 240 x 75 x 310 mm   |
| Βάρος  | 1,065 kg (συμπτ. της μπαταρίας)   |
| Μοντέλο μπαταρίας, τύπος, τάση                   | Αποσπώμενο μοντέλο KH-B1A16BX, Li-Ion, 14,4V  |
| Χαρητικότητα μπαταρίας, ισχύς, μέγιστη ισχύς     | 2500 mAh, 100W, 500W  |
| Συνθήκες φόρτισης μπαταρίας                      | +4°C έως +40°C  |
| Συνθήκες αποθήκευσης μπαταριών                   | -20°C έως +50°C   |
| Φορτιστής μπαταρίας                              | "100-240V A.C, 50-60Hz, είσοδος 0,5A 16,8V D.C, 1,42A, ακροδέκτες για δύο μπαταρίες, διαδοχική φόρτιση" |
| Χρόνος φόρτισης                                  | 120 λεπτά/κάθε μπαταρία   |
| Δέσματα ανά φόρτιση, μεγ                         | ≈ 9000 δεσίματα   |
| Γαυότητα δεσίματος, μέγιστη συνεχής              | 12 δεσίματα/λεπτό   |
| Συνθήκες λειτουργίας                             | +4°C έως +40°C  |

### ΓΕΝΙΚΕΣ ΠΡΟΕΙΔΟΠΟΙΗΣΕΙΣ ΑΣΦΑΛΕΙΑΣ ΓΙΑ ΗΛΕΚΤΡΙΚΑ ΕΡΓΑΛΕΙΑ



#### ΠΡΟΕΙΔΟΠΟΙΗΣΗ!!

**Διαβάστε όλες τις προειδοποιήσεις ασφαλείας, τις οδηγίες, τις εικόνες και τις προδιαγραφές που παρέχονται με αυτό το ηλεκτρικό εργαλείο. Αν δεν τηρήσετε όλες τις οδηγίες που παρατίθενται παρακάτω, μπορεί να προκληθεί ηλεκτροπληξία, πυρκαγιά ή/και σοβαρός ατομικός τραυματισμός. Φυλάξτε όλες τις προειδοποιήσεις και οδηγίες για μελλοντική αναφορά.**

Ο όρος "ηλεκτρικό εργαλείο" στις προειδοποιήσεις αναφέρεται στο ηλεκτρικό εργαλείο που τροφοδοτείται από το ηλεκτρικό δίκτυο (ενσύρματο) ή από μπαταρία (ασύρματο).

## 1) ΑΣΦΑΛΕΙΑ ΠΕΡΙΟΧΗΣ ΕΡΓΑΣΙΑΣ

- a) Διατηρήστε το χώρο εργασίας καθαρό και καλά φωτισμένο. Οι ακατάστατοι πάγκοι ή σκοτεινές περιοχές γίνονται πρόξενοι ατυχημάτων.
- β) Μην θέτετε το εργαλείο σε λειτουργία σε εκρηκτικές ατμόσφαιρες, όπως υπό παρουσία εύφλεκτων υγρών, αερίων ή σκόνης. Τα ηλεκτρικά εργαλεία δημιουργούν σπινθήρες που μπορεί να αναφλέξουν την σκόνη ή τους καπνούς.
- γ) Κρατήστε τους παρευρισκόμενους, τα παιδιά και τους επισκέπτες μακριά, ενώ χρησιμοποιείτε ένα ηλεκτρικό εργαλείο. Οι περιπατητές μπορεί να σας κάνουν να χάσετε τον έλεγχο.

## 2) ΗΛΕΚΤΡΙΚΗ ΑΣΦΑΛΕΙΑ

- a) Τα βύσματα ηλεκτρικού εργαλείου πρέπει να ταριάζουν στον ρευματολήπτη. Ποτέ μην τροποποιείτε το βύσμα με κανένα τρόπο. Μην χρησιμοποιείτε οποιαδήποτε βύσματα προσαρμογέα με γειωμένα ηλεκτρικά εργαλεία. Βύσματα που δεν έχουν τροποποιηθεί και πρίζες που είναι κατάλληλες θα μειώσουν τον κίνδυνο ηλεκτροπληξίας.
- β) Αποφύγετε την επαφή σώματος με γειωμένες επιφάνειες, όπως σωλήνες, calorifères, εστίες και ψυγεία. Υπάρχει αυξημένος κίνδυνος ηλεκτροπληξίας, αν το σώμα σας είναι γειωμένο.
- γ) Μην εκθέτετε τα ηλεκτρικά εργαλεία σε βροχή ή συνθήκες υγρασίας. Η διείσδυση νερού σε ένα ηλεκτρικό εργαλείο θα αυξήσει τον κίνδυνο ηλεκτροπληξίας.
- δ) Μην κακομεταχειρίζεστε το καλώδιο. Ποτέ μην χρησιμοποιείτε το καλώδιο για να μεταφέρετε, να τραβήξετε ή να αποσυνδέσετε το ηλεκτρικό εργαλείο. Κρατήστε το καλώδιο μακριά από θερμότητα, λάδι, αιχμηρές άκρες ή μετακινούμενα μέρη. Κατεστραμμένα ή περιπλεγμένα καλώδια αυξάνουν τον κίνδυνο ηλεκτροπληξίας.
- e) Όταν λειτουργείτε ένα ηλεκτρικό εργαλείο στο ύπαιθρο, χρησιμοποιήστε ένα καλώδιο επέκτασης κατάλληλο για εξωτερική χρήση. Η χρήση ενός καλωδίου για εξωτερική χρήση μειώνει τον κίνδυνο ηλεκτροπληξίας.
- f) Εάν η λειτουργία ενός ηλεκτρικού εργαλείου σε μια υγρή τοποθεσία είναι αναπόφευκτη, χρησιμοποιήστε ένα προστατευμένο τροφοδοτικό υπολειπόμενου ρεύματος (RCD). Η χρήση ενός RCD μειώνει τον κίνδυνο ηλεκτροπληξίας.

## 3) ΠΡΟΣΩΠΙΚΗ ΑΣΦΑΛΕΙΑ

- a) Μείνετε σε εγρήγορση, προσέξτε τις ενέργειές σας και χρησιμοποιήστε κοινή λογική, όταν χρησιμοποιείτε ένα ηλεκτρικό εργαλείο. Μην χρησιμοποιείτε ένα ηλεκτρικό εργαλείο, ενώ είστε κουρασμένοι ή υπό την επίρριση ναρκωτικών, αλκοόλ ή φαρμάκων. Μια στιγμή απροσεξίας, ενώ λειτουργείτε το ηλεκτρικό εργαλείο, μπορεί να προκαλέσει σοβαρό προσωπικό τραυματισμό.
- β) Χρησιμοποιήστε ατομικό προστατευτικό εξοπλισμό. Πάντα να φοράτε προστατευτικό για τα μάτια. Ο προστατευτικός εξοπλισμός, όπως μάσκα για τη σκόνη, αντιολισθητικά παπούτσια ασφαλείας, προστατευτικό κράνος ή ακουστικά

που χρησιμοποιούνται για ανάλογες συνθήκες, θα μειώσει ατομικούς τραυματισμούς.

- γ) Αποτρέψτε μη ηθελημένη εκκίνηση. Διασφαλίστε ότι ο διακόπτης βρίσκεται στην κλειστή θέση (off), πριν να συνδέσετε σε πηγή ισχύος ή/ και συστοιχία μπαταρίας και πριν να πιάσετε ή να μεταφέρετε το εργαλείο. Αν μεταφέρετε ηλεκτρικά εργαλεία με το δάκτυλο στο διακόπτη ή ενεργοποιείτε ηλεκτρικά εργαλεία με ανοικτό το διακόπτη, προκαλούνται ατυχήματα.
- δ) Αφαιρέστε οποιοδήποτε ρυθμιστικό ή μηχανικό κλειδί, προτού ενεργοποιησετε το ηλεκτρικό εργαλείο. Ένα μηχανικό κλειδί ή ρυθμιστικό που έχει μείνει συνδεδεμένο σε ένα περιστρεφόμενο μέρος του ηλεκτρικού εργαλείου μπορεί να προκαλέσει προσωπικό τραυματισμό.
- e) Μην τεντώνετε για φθάσεις σε κάποιο σημείο. Διατηρήστε σωστή στήριξη και ισορροπία σε κάθε στιγμή. Αυτό επιτρέπει τον καλύτερο έλεγχο του ηλεκτρικού εργαλείου σε μη αναμενόμενες καταστάσεις.
- ζ) Φορέστε κατάλληλα ρούχα. Μην φοράτε χαλαρά ρούχα ή κοσμήματα. Κρατήστε μαλλιά, ρούχα και γάντια μακριά από μετακινούμενα μέρη. Τα χαλαρά ρούχα, κοσμήματα και μακριά μαλλιά μπορεί να πιαστούν σε περιστρεφόμενα μέρη.
- η) Αν παρέχονται διατάξεις για τη σύνδεση εξαγωγής σκόνης και δυνατότητας συλλογής, διασφαλίστε ότι αυτές έχουν συνδεθεί και χρησιμοποιούνται σωστά. Η χρήση συλλέκτη σκόνης μπορεί να μειώσει τους κινδύνους που σχετίζονται με σκόνη.
- h) Μην αφήσετε την οικειότητα που αποκτήθηκε από τη συχνή χρήση εργαλείων να σας επιτρέψει να αγνοείτε τις αρχές ασφαλείας του εργαλείου. Μια απρόσεκτη δράση μπορεί να προκαλέσει σοβαρό τραυματισμό μέσα σε ένα κλάσμα του δευτερολέπτου.

## 4) ΧΡΗΣΗ ΚΑΙ ΦΡΟΝΤΙΔΑ ΗΛΕΚΤΡΙΚΟΥ ΕΡΓΑΛΕΙΟΥ

- a) Μην εφαρμόζετε δύναμη στο ηλεκτρικό εργαλείο. Χρησιμοποιήστε το σωστό ηλεκτρικό εργαλείο για την εφαρμογή σας. Το σωστό ηλεκτρικό εργαλείο θα κάνει την εργασία καλύτερα και ασφαλέστερα στο βαθμό για τον οποίο σχεδιάστηκε.
- β) Μην χρησιμοποιείτε το ηλεκτρικό εργαλείο, αν ο διακόπτης δεν ανοίγει και κλείνει. Κάθε ηλεκτρικό εργαλείο που δεν μπορεί να ελεγχθεί με το διακόπτη είναι επικίνδυνο και χρήζει επισκευής.
- γ) Αποσυνδέστε το βύσμα από την πηγή ισχύος ή/ και τη συστοιχία μπαταρίας του ηλεκτρικού εργαλείου, προτού να πραγματοποιήσετε ρυθμίσεις, αλλαγή εξαρτημάτων ή να αποθηκεύσετε ηλεκτρικά εργαλεία. Τέτοια προληπτικά μέτρα ασφαλείας μειώνουν τον κίνδυνο να ξεκινήσει το εργαλείο κατά λάθος.
- δ) Αποθηκεύστε τα αδρανή ηλεκτρικά εργαλεία μακριά από την εμβέλεια των παιδιών και μην επιτρέπετε σε άτομα που δεν είναι εξοικειωμένα με το ηλεκτρικό εργαλείο ή αυτές τις οδηγίες να το χρησιμοποιούν. Τα ηλεκτρικά εργαλεία είναι επικίνδυνα στα χέρια μη εκπαιδευμένων χρηστών.

e) **Συντηρήστε τα ηλεκτρικά εργαλεία και αξεσουάρ. Ελέγξτε για λανθασμένη ευθυγράμμιση ή δέσμευση κινούμενων μερών, θραύση εξαρτημάτων και οποιαδήποτε άλλη κατάσταση που μπορεί να επηρεάσει τη λειτουργία του ηλεκτρικού εργαλείου. Εάν έχει υποστεί ζημιά, επισκευάστε το ηλεκτρικό εργαλείο πριν από τη χρήση. Πολλά ατυχήματα προκαλούνται από κακά συντηρημένα ηλεκτρικά εργαλεία.**

f) **Κρατήστε τα εργαλεία κοπής αιχμηρά και καθαρά. Εργαλεία κοπής με αιχμηρές άκρες που έχουν συντηρηθεί σωστά είναι λιγότερο πιθανό να καμφθούν και ευκολότερο να ελεγχθούν.**

g) **Χρησιμοποιήστε το ηλεκτρικό εργαλείο, τα εξαρτήματα και τα κοπίδια εργαλείου κτλ. σύμφωνα με αυτές τις οδηγίες, λαμβάνοντας υπόψη τις συνθήκες εργασίας και την εργασία που πρέπει να διεξαχθεί. Η χρήση του ηλεκτρικού εργαλείου για λειτουργίες διαφορετικές από αυτές που προορίζεται μπορεί να προκαλέσει μια επικίνδυνη κατάσταση.**

h) **Διατηρείτε τις λαβές και τις επιφάνειες στεγνές, καθαρές και απαλλαγμένες από λάδια και γράσα. Οι ολισθηρές λαβές και οι επιφάνειες δεν επιτρέπουν τον ασφαλή χειρισμό και τον έλεγχο του εργαλείου σε απρόσμενες καταστάσεις.**

## 5) ΠΡΟΣΕΚΤΙΚΟΣ ΧΕΙΡΙΣΜΟΣ ΚΑΙ ΧΡΗΣΗ ΕΡΓΑΛΕΙΩΝ ΜΠΑΤΑΡΙΑΣ

a) **Επαναφορτίζετε μόνο με τον φορτιστή που καθορίζεται από τον κατασκευαστή. Ένας φορτιστής που είναι κατάλληλος μόνο για ένα συγκεκριμένο τύπο μπαταριών δημιουργεί κίνδυνο πυρκαγιάς όταν χρησιμοποιηθεί για άλλες μπαταρίες.**

b) **Χρησιμοποιείτε τα ηλεκτρικά εργαλεία μόνο με τις ειδικά σχεδιασμένες μπαταρίες. Η χρήση άλλων μπαταριών μπορεί να οδηγήσει σε τραυματισμούς και να δημιουργήσει κίνδυνο πυρκαγιάς.**

c) **Όταν η μπαταρία δε χρησιμοποιείται, κρατήστε την μακριά από άλλα μεταλλικά αντικείμενα, όπως συνδετήρες χαρτών, νομίσματα, κλειδιά, καρφιά, βίδες ή άλλα μικρά μεταλλικά αντικείμενα που μπορούν να βραχυκυκλώσουν τις επαφές της μπαταρίας. Ένα βραχυκύκλωμα των επαφών της μπαταρίας μπορεί να προκαλέσει τραυματισμούς ή φωτιά.**

d) **Μια τυχόν εσφαλμένη χρήση μπορεί να οδηγήσει σε διαρροή υγρών από την μπαταρία. Αποφύγετε κάθε επαφή μ' αυτά. Σε περίπτωση τυχαίας επαφής ξεπλύνετε καλά με νερό. Εάν τα υγρά έρθουν σε επαφή με τα μάτια, ζητήστε επιπλέον ιατρική βοήθεια. Διαρρέοντα υγρά μπαταριών μπορεί να οδηγήσουν σε ερεθισμούς του δέρματος ή σε εγκαύματα.**

e) **Μην χρησιμοποιείτε μπαταρία ή εργαλείο που είναι κατεστραμμένο ή τροποποιημένο. Οι χαλασμένες ή τροποποιημένες μπαταρίες μπορεί να παρουσιάσουν μια απρόβλεπτη συμπεριφορά και να οδηγήσουν σε φωτιά, έκρηξη ή σε κίνδυνο τραυματισμού.**

f) **Μην εκθέτετε μια μπαταρία ή ένα εργαλείο μπαταρίας σε φωτιά ή σε πολύ υψηλές**

**θερμοκρασίες. Η έκθεση στη φωτιά ή σε θερμοκρασία πάνω από τους 130 °C μπορεί να προκαλέσει έκρηξη.**

g) **Τηρείτε όλες τις υποδείξεις για τη φόρτιση και μη φορτίζετε την μπαταρία ή το εργαλείο μπαταρίας ποτέ εκτός της περιοχής θερμοκρασίας που αναφέρεται στις οδηγίες λειτουργίας. Η λάθος φόρτιση ή η φόρτιση εκτός της επιτρεπτής περιοχής θερμοκρασίας μπορεί να καταστρέψει την μπαταρία και να αυξήσει τον κίνδυνο πυρκαγιάς.**

## 6) ΣΕΡΒΙΣ

a) **Αναθέστε το σέρβις του ηλεκτρικού σας εργαλείου σε έναν καταρτισμένο τεχνικό επισκευής, που θα χρησιμοποιήσει μόνο όμοια ανταλλακτικά. Έτσι διασφαλίζεται η ασφάλεια του ηλεκτρικού εργαλείου.**

b) **Μη συντηρείτε ποτέ χαλασμένες μπαταρίες. Κάθε συντήρηση των μπαταριών πρέπει να πραγματοποιείται μόνο από τον κατασκευαστή ή από εξουσιοδοτημένα συνεργεία σέρβις πελατών.**

## ΠΡΟΕΙΔΟΠΟΙΗΣΕΙΣ ΑΣΦΑΛΕΙΑΣ ΕΡΓΑΛΕΙΟΥ



### ΠΡΟΕΙΔΟΠΟΙΗΣΗ!

1. Μην αφαιρείτε το μπροστινό κάλυμμα τη στιγμή της λειτουργίας. Για να αποφύγετε τραυματισμό, κρατήστε το μπροστινό άκρο που δένει το στόμα μακριά από οποιοδήποτε μέρος του σώματος.
2. Αφού ολοκληρωθεί η λειτουργία δεσίματος, μετακινήστε το εργαλείο στην επόμενη θέση λειτουργίας με προσεκτικό τρόπο. Ο προσεκτικός χειρισμός του εργαλείου θα προστατεύσει τον χειριστή και θα παρατείνει τη διάρκεια ζωής του μηχανήματος δεσίματος.
3. Μη χρησιμοποιείτε την μηχανή δεσίματος στη βροχή, το νερό μέσα στο εργαλείο μπορεί να το καταστρέψει.
4. Το προϊόν έχει σχεδιαστεί για να δένει αμπέλια και άλλα κλαδιά εντός της αποτελεσματικής περιοχής μέγιστης διαμέτρου 25 mm. Λειτουργία εκτός εύρους μπορεί να καταστρέψει το εργαλείο ή να μειώσει τη διάρκεια ζωής του.
5. Κλείστε το ρεύμα πριν από κάθε προσπάθεια αφαίρεσης του κολλημένου γάντζου τροφοδοσίας ή του σύρματος δεσίματος.
6. Βεβαιωθείτε ότι υπάρχει αρκετός χώρος για να μετακινήσει το άγκιστρο τροφοδοσίας, εάν υπάρχει οποιαδήποτε παρεμβολή στην κίνηση, το αποτέλεσμα δεσίματος μπορεί να είναι κακό.
7. Μη χρησιμοποιείτε το εργαλείο κοντά σε εύφλεκτα υγρά ή αέρια. Εάν συμβεί βραχυκύκλωμα, μπορεί να προκληθεί έκρηξη ή φωτιά.
8. Το σόστημα τροφοδοσίας πρέπει να ελέγχεται και να καθαρίζεται συχνά. Εάν συσσωρευτούν ξένα υλικά στην τροχιά τροφοδοσίας, θα επηρεάσει τη λειτουργία δεσίματος και θα αυξήσει το φορτίο στον εξοπλισμό. Η εγγύηση του προϊόντος δεν καλύπτει ζημιές που προκαλούνται από λάθος συντήρηση.
9. Μην επιχειρήσετε να επισκευάσετε μόνοι σας το εργαλείο, εκτός εάν έχετε εκπαιδευτεί. Οι εργασίες επισκευής που δεν αναφέρονται σε αυτό

το εγχειρίδιο μπορούν να εκτελεστούν μόνο από το προσωπικό του κέντρου σέρβις μας.

## ΕΚΠΟΜΠΗ ΘΟΥΡΥΒΟΥ/ΔΟΝΗΣΕΙΣ

- Α-σταθμισμένη στάθμη ηχητικής πίεσης  $L_{pA} = 70,5 \text{ dB(A)}$ , αβεβαιότητα  $K=3 \text{ dB(A)}$ . Α-σταθμισμένο επίπεδο ηχητικής ισχύος  $L_{wA} = 81,5 \text{ dB(A)}$ , αβεβαιότητα  $K=3 \text{ dB(A)}$ . Σύσταση στον χειριστή να φοράει προστατευτικά ακοής.
- Συνολική τιμή κραδασμών  $= 1,125 \text{ m/s}^2$ , αβεβαιότητα  $K=1,5 \text{ m/s}^2$ . Η δηλωθείσα συνολική τιμή δόνησης έχει μετρηθεί σύμφωνα με μια τυπική μέθοδο δοκιμής και μπορεί να χρησιμοποιηθεί για τη σύγκριση ενός εργαλείου με άλλο. Η δηλωθείσα συνολική τιμή κραδασμών μπορεί επίσης να χρησιμοποιηθεί σε μια προκαταρκτική αξιολόγηση της έκθεσης.



### ΠΡΟΕΙΔΟΠΟΙΗΣΗ

Η εκπομπή κραδασμών κατά την πραγματική χρήση του ηλεκτρικού εργαλείου μπορεί να διαφέρει από τη δηλωθείσα συνολική τιμή ανάλογα με τους τρόπους με τους οποίους χρησιμοποιείται το εργαλείο.

Απαιτείται ο εντοπισμός μέτρων ασφαλείας για την προστασία του χειριστή, τα οποία βασίζονται σε εκτίμηση της έκθεσης στις πραγματικές συνθήκες χρήσης (λαμβάνοντας υπόψη όλα τα μέρη του κύκλου λειτουργίας, όπως τις ώρες που το εργαλείο είναι απενεργοποιημένο και όταν λειτουργεί σε αδράνεια εκτός από το χρόνο ενεργοποίησης).

## ΕΚΠΑΙΔΕΥΤΙΚΑ ΒΙΝΤΕΟ

Αναβοσβήστε τον κωδικό QR στο μπροστινό μέρος του εγχειρίδιου ή μεταβείτε στη διεύθυνση [www.rapid.com](http://www.rapid.com) για να επωφεληθείτε από μια επέκταση εγγύησης 2 ετών και να αποκτήσετε πρόσβαση στα εκπαιδευτικά μας βίντεο:

- Πώς να αλλάξετε τα καρούλια;
- Πώς να χειριστείτε το εργαλείο;
- Πώς να αντικαταστήσετε τα φθαρμένα εξαρτήματα;

## ΛΕΙΤΟΥΡΓΙΑ ΚΑΙ ΧΡΗΣΗ

### ΕΝΕΡΓΟΠΟΙΗΣΤΕ ΤΗΝ ΜΗΧΑΝΗ ΔΕΣΙΜΑΤΟΣ

Βεβαιωθείτε ότι το εργαλείο είναι σε καλή κατάσταση λειτουργίας.

Εισάγετε μια φορτισμένη μπαταρία στην υποδοχή τροφοδοσίας της μηχανής δεσίματος

Πατήστε το κουμπί λειτουργίας, η οθόνη ανάβει και θα ακούσετε ένα παρατεταμένο, 3 σύντομα και ένα μακρύ μπιπ.

### ΛΕΙΤΟΥΡΓΙΑ ΔΕΣΙΜΑΤΟΣ

Τοποθετήστε κλαδιά μέσα στο στόμιο που δένει

Πατήστε τη σκανδάλη για να δέσετε

Απελευθερώστε τη σκανδάλη και αφαιρέστε το εργαλείο από το κλαδί

Επαναλάβετε για να κάνετε το επόμενο δέσιμο

### ΦΟΡΤΩΣΤΕ ΚΑΙΝΟΥΡΓΙΟ ΠΗΝΗΟ ΧΡΗΣΙΜΟΠΟΙΩΝΤΑΣ SMART CUT



### ΠΡΟΣΟΧΗ!! ΑΚΟΛΟΥΘΗΣΤΕ ΑΥΤΑ ΤΑ 8 ΒΗΜΑΤΑ ΓΙΑ ΝΑ ΦΟΡΤΩΣΤΕ ΑΠΟΤΕΛΕΣΜΑΤΙΚΑ ΤΟ ΕΡΓΑΛΕΙΟ

1. Σταματήστε το δέσιμο όταν έχετε 4-5 στροφές από το υπόλοιπο σύρμα στο καρούλι. Δείτε την εικόνα G1

2. Κρατήστε τη σκανδάλη για 4-5 δευτερόλεπτα μέχρι να ασφαλίσει το άγκιστρο οδήγησης σε ενεργή θέση και, στη συνέχεια, αφήστε το. Η έξυπνη κοπή είναι ενεργοποιημένη, δείτε την εικόνα G2

Μην απενεργοποιείτε το μηχάνημα και μην πατάτε ακόμα τη σκανδάλη

Ανοίξτε την πόρπη έλξης και αφαιρέστε το εξωτερικό κάλυμμα

3. Αφαιρέστε το χρησιμοποιημένο καρούλι με το υπόλοιπο σύρμα και δέστε στο στόμιο του γάντζου, δείτε την εικόνα G3
4. Τώρα πατήστε τη σκανδάλη μία φορά για να απενεργοποιήσετε την έξυπνη κοπή και αφαιρέστε το δέσιμο από το στόμιο του γάντζου, δείτε την εικόνα G4

5. Τοποθετήστε το νέο καρούλι απευθείας στο γεμιστήρα. Αφαιρέστε την "τελική ταινία στερέωσης", δείτε την εικόνα G5.

6. Εισάγετε το σύρμα επίπεδα μέσα στο ακροφύσιο τροφοδοσίας έως ότου το σύρμα φτάσει στο τερματικό στοπ και πατήστε τη σκανδάλη για να τροφοδοτήσετε το εισαγόμενο καλώδιο, δείτε την εικόνα G6



! Βεβαιωθείτε ότι το καλώδιο έχει εισαχθεί από πάνω και όχι από κάτω. Βεβαιωθείτε επίσης ότι το σύρμα δεν είναι στριμμένο και δεμένο.

7. Αφαιρέστε την κύρια ταινία στερέωσης, δείτε την εικόνα G7
8. Τοποθετήστε πίσω το κάλυμμα της βάσης του καρολιού και πατήστε τη σκανδάλη μέχρι να έχετε ένα αποδεκτό δέσιμο, δείτε την εικόνα G8

## ΡΥΘΜΙΣΗ ΕΠΙΠΕΔΟΥ ΣΤΡΙΨΗΣ

Για να κάνετε τους κόμπους βέλτιστους για τον τύπο των κλαδιών που δένετε, μπορείτε να προσαρμόσετε τον αριθμό των περιστροφών επιλέγοντας "Επίπεδο περιστροφής".

|                     | Επίπεδος περιστροφής |   |   |   |
|---------------------|----------------------|---|---|---|
| Επίπεδο περιστροφής | 1                    | 2 | 3 | 4 |
| Αριθμός ανατροπών   | 2                    | 3 | 4 | 5 |

## ΕΝΔΕΙΞΕΙΣ ΜΕ ΜΠΙΠ ΒΛΑΒΗΣ

| Ήχος buzzer | Χρόνος συχνότητας | Αποτυχία                         | Μέθοδος Λύσης   |
|-------------|-------------------|----------------------------------|---|
| Μόνο μπιπ   |                   | Αποτυχία χωρητικότητας μπαταρίας | Ελέγξτε εάν η χωρητικότητα της μπαταρίας είναι χαμηλή |
| Πολλά μπιπ  |                   | Εσωτερική αστοχία εργαλείου      | Το εργαλείο χρειάζεται εξειδικευμένο σέρβις           |

## ΧΡΗΣΗ ΚΑΙ ΦΡΟΝΤΙΔΑ ΠΑΚΕΤΟ ΜΠΑΤΑΡΙΩΝ



### ΠΡΟΣΟΧΗ!!

1. Χρησιμοποιείτε μόνο φορτιστή μπαταρίας όπως παρέχεται μαζί με το εργαλείο, η χρήση άλλων φορτιστών μπορεί να προκαλέσει πυρκαγιά.
2. Χρησιμοποιείτε, φορτίζετε ή αποθηκεύετε την μπαταρία μόνο εντός του καθορισμένου εύρους θερμοκρασίας.
3. Κάτω από τους  $+4^{\circ}\text{C}$ , η χωρητικότητα της μπαταρίας μπορεί να επηρεαστεί και να μειωθεί ο αριθμός των κύκλων.
4. Μην βραχυκυκλώνετε την μπαταρία και φροντίστε

- να κρατάτε τα αγωγήματα μακριά από τη μπαταρία όταν δεν τη χρησιμοποιείτε.
- Μην αποσυρμολογείτε την μπαταρία.
  - Μη χρησιμοποιείτε την μπαταρία κοντά σε οποιαδήποτε πηγή θερμότητας.
  - Μην βάζετε τη μπαταρία στη φωτιά ή στο νερό.
  - Μην κάνετε καμία ζημιά στην μπαταρία.
  - Μη χρησιμοποιείτε μπαταρία που είναι κατεστραμμένη, παραμορφωμένη ή διαβρωμένη.
  - Μην πραγματοποιείτε οποιαδήποτε συγκόλληση στη μπαταρία.
  - Μη χρησιμοποιείτε την μπαταρία σε εξοπλισμό διαφορετικό από το καθορισμένο εργαλείο.
  - Μην τοποθετείτε την μπαταρία σε φούρνο μικροκυμάτων.
  - Μη χρησιμοποιείτε μπαταρία που παρουσιάζει διαρροή.
  - Κρατήστε την μπαταρία μακριά από τα ΠΑΙΔΙΑ.
  - Εάν έρθετε σε επαφή με μια μπαταρία που παρουσιάζει διαρροή, πλύνετε αμέσως με καθαρό νερό.

### ΦΟΡΤΙΣΗ ΜΠΑΤΑΡΙΑΣ

Συνδέστε την μπαταρία στο φορτιστή και συνδέστε το βύσμα του φορτιστή στην πρίζα. Η ένδειξη LED στον φορτιστή θα γίνει ΚΟΚΚΙΝΗ κατά τη φόρτιση και θα γίνει ΠΡΑΣΙΝΗ όταν η μπαταρία φορτιστεί πλήρως, δείτε την εικόνα Ε2.

### ΠΡΟΣΟΧΗ!!

#### ΦΟΡΤΙΣΗ ΜΠΑΤΑΡΙΑΣ

- Κατά τη διάρκεια της φόρτισης, είναι φυσιολογικό ο φορτιστής και η μπαταρία να είναι ζεστά.
- Μην φορτίζετε μια κατεστραμμένη μπαταρία και μην αποσυρμολογείτε το φορτιστή ή τη μπαταρία.
- Φορτίζετε την μπαταρία μόνο εντός του καθορισμένου εύρους θερμοκρασίας.
- Μην τοποθετείτε την μπαταρία κοντά σε πηγή θερμότητας υψηλής θερμοκρασίας, η μπαταρία μπορεί να εκραγεί σε φωτιά ή μακροχρόνια έκθεση σε πηγή θερμότητας υψηλής θερμοκρασίας.
- Μη φορτίζετε τη μπαταρία σε εξωτερικό ή υγρό περιβάλλον.

#### ΑΠΟΘΗΚΕΥΣΗ ΜΠΑΤΑΡΙΑΣ

- Για να εξασφαλίσετε καλή αποθήκευση της μπαταρίας, παραμείνετε εντός του καθορισμένου εύρους θερμοκρασίας.
- Εάν ο εξοπλισμός δεν χρησιμοποιείται για μεγάλο χρονικό διάστημα, αφαιρέστε και φορτίστε την μπαταρία πριν την αποθήκευση.
- Συνιστάται η τοποθέτηση της μπαταρίας και του φορτιστή στην εργαλειοθήκη κατά την αποθήκευση.
- Η μπαταρία πρέπει να φυλάσσεται σε ξηρό περιβάλλον μακριά από εύφλεκτα υλικά.

### ΧΡΗΣΗ ΚΑΙ ΦΡΟΝΤΙΔΑ ΤΟΥ ΦΟΡΤΙΣΤΗ

### ΠΡΟΣΟΧΗ!!

Χρησιμοποιήστε τον γνήσιο φορτιστή για να διασφαλίσετε την ασφάλεια του εξοπλισμού.

Χρησιμοποιείτε μόνο φορτιστή σε καλή κατάσταση και μην προσπαθήσετε ποτέ να χρησιμοποιήσετε έναν ελαττωματικό φορτιστή.

Βεβαιωθείτε ότι η τάση τροφοδοσίας ταιριάζει με την ονομαστική τάση της πινακίδας του φορτιστή.

Αποσυνδέστε τον φορτιστή από την παροχή ρεύματος όταν δεν τον χρησιμοποιείτε.

Μη χρησιμοποιείτε το φορτιστή σε εξωτερικό ή υγρό περιβάλλον. Η είσοδος βρωμιάς ή νερού θα αυξήσει τον κίνδυνο ηλεκτροπληξίας.

Ο φορτιστής πρέπει να χρησιμοποιείται μόνο για τη φόρτιση της αρχικής μπαταρίας, διαφορετικά μπορεί να προκαλέσει τραυματισμό και πυρκαγιά.

Αποφύγετε οποιαδήποτε ζημιά στον φορτιστή, ένας κατεστραμμένος φορτιστής μπορεί να αυξήσει τον κίνδυνο ηλεκτροπληξίας.

Μη χρησιμοποιείτε φορτιστές σε εύφλεκτες επιφάνειες (π.χ. χαρτί, υφάσματα)

Εάν το καλώδιο τροφοδοσίας του φορτιστή είναι κατεστραμμένο, πρέπει να αντικατασταθεί από εξειδικευμένο προσωπικό.

### ΣΥΝΤΗΡΗΣΗ

### ΠΡΟΕΙΔΟΠΟΙΗΣΗ!!

Αποσυνδέστε την μπαταρία πριν από οποιαδήποτε συντήρηση

### ΓΕΝΙΚΟΣ ΚΑΘΑΡΙΣΜΟΣ ΜΕΤΑ ΤΟ ΆΔΕΙΑΣΜΑ ΤΟΥ ΚΑΡΟΥΛΙΟΥ

Το εργαλείο θα σκουπιστεί με ένα βρεγμένο πανί. Χρησιμοποιήστε ένα πανέλο ή παρόμοιο για να απομακρύνετε τα ξένα σώματα στη λωρίδα οδήγησης, στον περιστρεφόμενο τροχό και στο δίσκο τροφοδοσίας.

! Μην χρησιμοποιείτε κανένα καθαριστικό, διαφορετικά μπορεί να προκαλέσει μόνιμη βλάβη στο εργαλείο.

### ΛΑΔΙ & ΛΙΠΑΝΣΗ ΜΕΤΑ ΚΑΘΕ ΕΡΓΑΣΙΑ

Χρησιμοποιήστε καλό λάδι πολλαπλής ποιότητας, για παράδειγμα 3-IN-ONE ή 15W-40. Λιπάνετε κάθε κινητό σύνδεσμο και τον κόφτη, δείτε την εικόνα A13.

### ΑΝΤΙΚΑΤΑΣΤΑΣΗ ΣΥΣΚΕΥΗΣ ΤΡΟΦΟΔΟΣΙΑΣ

Όταν ο τροχός τροφοδοσίας δεν τροφοδοτεί πλέον το καλώδιο, συνιστάται αντικατάσταση. Κωδικός ανταλλακτικού kit: 5001602

### ΑΝΤΙΚΑΤΑΣΤΑΣΗ ΣΥΣΚΕΥΗΣ TWIST & HOOK

Σε περίπτωση που ο τροχός συστροφής σταματήσει να στρίβει ή καταλήξετε με κακές στροφές, συνιστάται αντικατάσταση. Κωδικός ανταλλακτικού kit: 5001603

### ΑΝΤΙΚΑΤΑΣΤΑΣΗ ΣΥΣΚΕΥΗΣ ΦΡΕΝΩΝ

Όταν ο δακτύλιος Ο μεταξύ του περιστρεφόμενου φρένου και της σταθερής πλήμνης του φρένου έχει φθαρεί, συνιστάται αντικατάσταση. Κωδικός ανταλλακτικού kit: 5001604

### ΛΙΣΤΑ ΑΝΤΑΛΛΑΚΤΙΚΩΝ

#### ΚΙΤ Α: ΣΥΣΚΕΥΗ ΚΟΠΗΣ

#### ΑΡΙΘΜΟΣ ΕΙΔΟΥΣ 5001601

| ΘΕΣΗ | ΠΕΡΙΓΡΑΦΗ            | ΠΟΣΟΤΗΤΑ |
|------|----------------------|----------|
| 76.  | Σταθερή λεπίδα       | 1        |
| 77.  | Μηλοκ οδηγού λεπίδας | 1        |
| 81.  | Κινητή λεπίδα        | 1        |

## ΚΙΤ Β: ΣΥΣΚΕΥΗ ΤΡΟΦΟΔΟΣΙΑΣ ΑΡΙΘΜΟΣ ΕΙΔΟΥΣ 5001602

| ΘΕΣΗ | ΠΕΡΙΓΡΑΦΗ            | ΠΟΣΟΤΗΤΑ |
|------|----------------------|----------|
| 80.  | Τροχός από καουτσούκ | 3        |
| 84.  | Κύκλωμα              | 3        |

## ΚΙΤ Γ: ΣΥΣΚΕΥΗ TWIST & HOOK ΑΡΙΘΜΟΣ ΕΙΔΟΥΣ 5001603

| ΘΕΣΗ | ΠΕΡΙΓΡΑΦΗ      | ΠΟΣΟΤΗΤΑ |
|------|----------------|----------|
| 61.  | Τροχός δέσμης  | 1        |
| 62.  | Εξάνωξη βίδα   | 1        |
| 68.  | Κύριο άγκιστρο | 1        |
| 69.  | Καρφίτσα       | 1        |
| 54.  | Μπλόκ οδηγών   | 1        |

## ΚΙΤ Δ: ΣΥΣΚΕΥΗ ΦΡΕΝΩΝ ΑΡΙΘΜΟΣ ΕΙΔΟΥΣ 5001604

| ΘΕΣΗ | ΠΕΡΙΓΡΑΦΗ       | ΠΟΣΟΤΗΤΑ |
|------|-----------------|----------|
| 5.   | Βίδα κεφαλής    | 1        |
| 6.   | Επίπεδη φλάντζα | 1        |
| 8.   | Δακτυλίδι       | 1        |
| 11.  | Ζώνη            | 1        |

## ΚΙΤ Ε: ΨΑΛΙΔΙ ΑΡΙΘΜΟΣ ΕΙΔΟΥΣ 5001605

### ΠΡΟΣΘΕΤΕΣ ΠΛΗΡΟΦΟΡΙΕΣ ΥΠΗΡΕΣΙΑΣ

Δείτε στο [www.rapid.com](http://www.rapid.com)

### ΠΛΑΙΣΙΟ ΤΗΣ ΕΓΓΥΗΣΗΣ

#### I. ΠΕΡΙΟΔΟΣ ΕΓΓΥΗΣΗΣ

Το προϊόν RAPID είναι εγγυημένο για τρία (3) χρόνια με την εγγύηση του κατασκευαστή (ή την εμπορική εγγύηση), από την ημερομηνία παράδοσης στον τελικό χρήστη (εξαιρούνται τα ανταλλακτικά, τα αξεσουάρ, οι μπαταρίες και οι φορτιστές). Οι μπαταρίες και οι φορτιστές έχουν εγγύηση δύο (2) ετών. Για να επεκτείνετε την εγγύηση του εργαλείου σε 5 χρόνια, εγγραφείτε ηλεκτρονικά στη διεύθυνση [www.rapid.com](http://www.rapid.com) ή σαρώστε τον κωδικό QR. Να έχετε το εργαλείο σας και την απόδειξη αγοράς.

#### II. ΟΡΟΙ ΕΓΓΥΗΣΗΣ

Δεν μπορεί να διεκδικηθεί βάσει της εγγύησης του κατασκευαστή, τυχόν προϊόντα που χρησιμοποιούνται ασυνήθιστα ή λειτουργούν σε συνθήκες διαφορετικές από τις προβλεπόμενες, ειδικά όσον αφορά τα σημεία που αναφέρονται σε αυτό το εγχειρίδιο χρήσης. Η εγγύηση δεν ισχύει επίσης σε περίπτωση χτυπήματος, πτώσης, αμέλειας, έλλειψης επιβλεψής ή/και συντήρησης. Οποιαδήποτε τροποποίηση πραγματοποιηθεί στα προϊόντα από τον τελικό χρήστη καθιστά την εγγύηση παρωχημένη. Τα εξαρτήματα φθοράς, τα αξεσουάρ ή/και τα αναλώσιμα δεν καλύπτονται ποτέ από την εγγύηση.

Θεωρούνται ως αξεσουάρ, εξαρτήματα φθοράς ή αναλώσιμα:

η θήκη μεταφοράς και η συσκευασία, τα συμράπνα καρούλια και τα κιτ ανταλλακτικών (ΚΙΤ Α έως ΚΙΤ Ε) που περιλαμβάνονται σε αυτό το εγχειρίδιο χρήσης.

#### III. ΑΞΙΩΣΗ ΜΕ ΤΗΝ ΕΓΓΥΗΣΗ

Η περίοδος εγγύησης ξεκινά από την ημερομηνία παράδοσης στον τελικό χρήστη.

Σε περίπτωση αξίωσης βάσει εγγύησης, το προϊόν πρέπει να επιστραφεί στην αρχική του θήκη

(συμπεριλαμβάνονται οι μπαταρίες και ο φορτιστής) μαζί με ένα αντίγραφο της πρωτότυπης απόδειξης με ημερομηνία.

### ΔΙΑΘΕΣΗ ΜΠΑΤΑΡΙΩΝ

Οι μπαταρίες που έχουν εξαντληθεί, πρέπει να αφαιρούνται από τη συσκευή και να απορρίπτονται με ασφάλεια.

Οι μπαταρίες δεν επιτρέπεται να απορρίπτονται με τα συνήθη οικιακά απορρίμματα, ενδέχεται να περιέχουν τοξικά βαρέα μέταλλα και υπόκεινται σε κανονισμούς για επικίνδυνα απόβλητα.

Για το λόγο αυτό, απορρίψτε τις χρησιμοποιημένες μπαταρίες σε ένα τοπικό σημείο συλλογής



2012/19/EU

GR Απόβλητα ηλεκτρικού και ηλεκτρονικού εξοπλισμού (ΑΗΗΕ)

Οι ηλεκτρικές και ηλεκτρονικές συσκευές περιέχουν υλικά και ουσίες που μπορεί να έχουν επιβλαβείς επιπτώσεις στην ανθρώπινη υγεία και το περιβάλλον. Το σύμβολο πάνω στη συσκευή, τα αξεσουάρ ή τη συσκευασία υποδεικνύει ότι αυτή η συσκευή δεν πρέπει θεωρείται ως αστικό απόβλητο χωρίς διαλογή, αλλά πρέπει να συλλέγεται χωριστά! Η απόρριψη της συσκευής πρέπει να γίνεται σε ένα σημείο συλλογής για την ανακύκλωση απορριπτόμενου ηλεκτρικού και ηλεκτρονικού εξοπλισμού εντός της ΕΕ, Ηνωμένου Βασιλείου και σε άλλες ευρωπαϊκές χώρες που λειτουργούν χωριστά συστήματα συλλογής για τον απορριπτόμενο ηλεκτρικό και ηλεκτρονικό εξοπλισμό. Απορρίπτοντας τη συσκευή με σωστό τρόπο, βοηθάτε στην πρόληψη πιθανών κινδύνων για το περιβάλλον και τη δημόσια υγεία λόγω μη σωστού χειρισμού του απορριπτόμενου εξοπλισμού. Η ανακύκλωση των υλικών συμβάλλει στη διατήρηση των φυσικών πόρων

# BHX50 AKKUMULÁTOROS KÖTŐZŐGÉP

Az eredeti használati utasítás fordítása

HU

## SZERSZÁM RÉSZEINEK LEÍRÁSA

- A. Kötözőgép  
A1. Vezetőkampó  
A2. Zsinórnyomó lemez  
A3. Csavarókerék  
A4. LED fény  
A5. Működtető kar  
A6. Adagolótálca  
A7. Cséve  
A8. Rugalmas szíj  
A9. Csavarásállító – mínusz  
A10. Kijelző  
A11. Csavarásállító – plusz  
A12. Tápellátás gomb  
A13. Kenés
- B. Lítium akkumulátor  
B1. Akkumulátor kioldógombja  
B2. Akkumulátor érintkezője
- C. Akkumulátortöltő  
C1. Tápellátás csatlakozója  
C2. Töltés LED jelzőfénye  
C3. Töltő jack-dugó
- D. Olló
- E2. Akkumulátor töltése
- F. Szimbólumok
- F1. Kérjük, figyelmesen olvasson el minden biztonsági figyelmeztetést és utasítást.  
F2. Az akkumulátor csak beltérben tölthető.  
F3. Kettős szigetelés – földelés nem szükséges.  
F4. Hibabiztos transzformátoros töltő.  
F5. Az akkumulátortöltés túlmelegedés esetén automatikusan kikapcsol.  
F6. Ne használja, illetve tegye ki a kötözőgépet esős környezeti körülményeknek.  
F7. Az elektromos hulladék háztartási hulladékként nem kezelhető.  
F8. Soha ne érintsen meg elektromosan feltöltött tárgyakat az elektromos metszőollóval.  
F9. Viseljen szem- és fülvédőt.  
F10. Viseljen védőkesztyűt.  
F11. Figyelmeztető szimbólum a személyi sérülésre vonatkozó tájékoztatással

## BEVEZETÉS

Ez a szerszám szőlővesszők kötözésére szolgál szőlészetekben stb., legfeljebb 25mm átmérőig. A kötözőgépet kizárólag rendeltetésének megfelelően szabad használni.

Ha a szerszámot egyéb, nem jóváhagyott célra használják, az a szerszám, illetve a felhasználó sérüléséhez vezethet.

A szerszámot kizárólag felnőttek, illetve felnőtt felügyelete mellett fiatal személyek használhatják. Az kezelő vagy a használó teljes felelősséget vállal

a használat során bekövetkezett bármely balesetből eredő, másokban bekövetkezett sérülésért vagy anyagi kárért.

A gyártó nem felelős a normáltól eltérő vagy helytelen használatból eredő sérülésekért.

## MŰSZAKI SPECIFIKÁCIÓ

|  |  |
|--|--|
| Akkumulátoros kötözőgép, modellszám                            | BHX50  |
| Tekercs típusa   | Papír vagy műanyag zsinór  |
| Tár max. kapacitása  | 100 m  |
| Max. kötözési kapacitás  | 25 mm  |
| Szerszám méretei (M x Sz x H)                                  | 240 x 75 x 310 mm  |
| Tömeg  | 1,065 kg (akkumulátorral)  |
| Akkumulátor – modell, típus, feszültség                        | KH-B1A16BX levehető modell, lítium-ion, 14,4 V   |
| Akkumulátor kapacitása, teljesítménye, maximális teljesítménye | 2500 mAh, 100 W, 500 W   |
| Akkumulátor töltésre vonatkozó környezeti feltételei           | +4°C és +40°C között   |
| Akkumulátor tárolásra vonatkozó környezeti feltételei          | -20°C és +50°C között  |
| Akkumulátortöltő   | 100-240 V AC, 50-60Hz, 0,5 A bemenet 16,8V DC, 1,42 A kimenet, csatlakozó két akkumulátor számára, szekenciális töltés |
| Töltési idő  | 120 perc/akkumulátor   |
| Töltésenkénti kötözések max. száma                             | ≈ 9000 kötözés   |
| Kötözési sebesség, max. folyamatos                             | 12 kötözés/perc  |
| Működési körülmények   | +4°C és +40°C között   |

## SZERSZÁMGÉPEKRE VONATKOZÓ ÁLTALÁNOS BIZTONSÁGI FIGYELMEZTETÉSEK



**FIGYELEM!** Olvassa el az ezen elektromos kéziszerszámhoz tartozó összes biztonsági figyelmeztetést, utasítást, illusztrációt és specifikációt.

**Az alábbiakban foglalt utasítások be nem tartása elektromos áramütést, tüzet és/ vagy súlyos személyi sérülést eredményezhet**

**Az utasításokat és figyelmeztetéseket gondosan őrizze meg.**

A figyelmeztetésekben szereplő „szerszámgép” kifejezés az Ön elektromos hálózatról (vezetékes), illetve akkumulátorral (vezeték nélküli) működtetett szerszámgépére utal.

### 1) MUNKATERÜLET-BIZTONSÁG

a) A munkahely legyen tiszta és jó meg-

- világítás. A rendetlen munkapadok és sötét helyek potenciális balesetforrások.
- b) **A szerszámgépet robbanásveszélyes légkör esetén, például tűzveszélyes folyadékok, gázok vagy porok jelenlétében ne használja.** A szerszámgépek működése során keletkező szikrák meggyújthatják a port vagy a füstöt.
- c) **A közelben lévő személyeket, gyermekeket és látogatókat tartsa távol, amíg a szerszámgépet üzemelteti.** Ha elterelik a figyelmét, az a szerszámgép feletti uralma elvesztését eredményezheti.
- ## 2) ELEKTROMOS BIZTONSÁG
- a) **A szerszámgép dugóinak egyezniük kell az elektromos hálózati aljzat típusával. Soha ne módosítsa semmilyen módon a dugót.** Ne használjon csatlakozóadaptereket földelt szer-számgépekhez. Az eredeti (értsd: nem módosított) dugók és az egyező típusú aljzatok csökkentik az elektromos áramütés veszélyét.
- b) **Kerülje, hogy teste földelt felületekkel (pl. csővezetékekkel, rádiátorokkal, tűzhelyekkel és hűtőszekrényekkel) érintkezzen.** Ha testét földeli, akkor megnő az elektromos áramütés veszélye.
- c) **A szerszámgépeket óvja az esőtől és a nedves körülményektől.** A szerszámgép belsejébe jutó víz növeli az elektromos áramütés veszélyét.
- d) **A kábelt mindig rendeltetésszerűen használja.** A kábelt ne használja a szerszámgép cipelésére, húzására vagy az elektromos háló-zatról történő leválasztására. A kábelt tartsa távol hőtől, olajtól, valamint éles vagy mozgó tárgyaktól. A sérült vagy megtekeredett kábelek növelik az elektromos áramütés veszélyét.
- e) **Ha a szerszámgépet kültéren szeretné használni, akkor válasszon kültéri használatra szánt hosszabbító kábelt.** A kültéri használatra szánt hosszabbító kábel használata csökkenti az elektromos áramütés veszélyét.
- f) **Ha az elektromos kéziszerszám nedves hely-en történő üzemeltetése elkerülhetetlen, használjon érintésvédelmi relével (RCD) ellátott tápegységet.** Az RCD használata csökkenti az áramütés kockázatát.
- ## 3) SZEMÉLYI BIZTONSÁG
- a) **Mindig maradjon éber, figyeljen a mozdulataira és üzemeltesse értelemszerűen a szerszámgépet. Ne használjon szerszámgép-et, ha fáradt, illetve kábítószert, alkoholt vagy bármilyen gyógyszer hatása alatt áll.** A szerszámgép üzemeltetése közben egyetlen pillanatrai fi gyelemkiesés is súlyos személyi sérülést eredményezhet.
- b) **Használjon személyi védőfelszerelést. Mindig viseljen védőszemüveget.** A megfelelő körülményekhez használt védőfelszerelések (pl. pormaszok, csúszásgátló biztonsági lábbeli, keménység és fülvédelem) csökkentik a személyi sérülések kockázatát.
- c) **Gondoskodjon a véletlenszerű bekapcsolás megelőzéséről. Az elektromos hálózathoz történő csatlakoztatás, az akkumulátor behe-**
- lyezése, illetve a szerszámgép felvétele vagy hordozása előtt győződjön meg róla, hogy a szerszámgép kapcsolója „KI” állásban van.** A szerszámgépek hordozása úgy, hogy az ujjja a kapcsolón van, illetve a bekapcsolt helyzetű szer-számgépek feszültség alá helyezése potenciális veszélyforrás lehet.
- d) **A szerszámgép bekapcsolása előtt távolítsa el a beállítókulcsokat.** A szerszámgép forgórészéről le nem választott kulcs személyi sérülést eredményezhet.
- e) **Munka közben nem szabad, hogy nyújtóznia kelljen. Mindig ügyeljen, hogy stabilan álljon, ne veszítse el egyensúlyát.** Így jobban uralható a szerszámgép váratlan helyzetekben.
- f) **Megfelelő ruházatot viseljen. Ne viseljen laza ruhát, illetve ékszereket. Haját, ruháit és kesztyűit tartsa távol a mozgó alkatrészekről.** A mozgó alkatrészek becsipethetik a laza ruhákat, ékszereket vagy a hosszú haját.
- g) **Ha rendelkezésre állnak pórelszívó és -gyűjtő berendezések, akkor gondoskodjon ezek megfelelő csatlakoztatásáról és használatáról.** A porgyűjtő berendezések használatával csökkenthetők a porral kapcsolatos veszélyek.
- h) **Még ha gyakran használja is a szerszámot, ne hagyja figyelmen kívül a szerszám-biztonsági elveket.** A gondatlan fellépés másodperc töredéke alatt súlyos sérüléseket okozhat.
- ## 4) A SZERSZÁMGÉP HASZNÁLATA ÉS KAR-BANTARTÁSA
- a) **A szerszámgéppel soha ne végezzen erőlte-tett mozdulatokat. Mindig az alkalmazáshoz illő szerszámgépet használjon.** A megfelelő szer-számgép hatékonyabban és biztonságosabban végzi el a munkát a tervezett, rendeltetésszerű teljesítménnyel.
- b) **Ne használja a szerszámgépet, ha azt nem lehet ki- és bekapcsolni a kapcsolóval.** Azok a szerszámgépek, amelyeket a kapcsolóval nem lehet vezérelni, veszélyesek és javításra szorulnak.
- c) **Beállítások elvégzése, tartozékok cseréje vagy a szerszámgépek tárolása előtt válassza le a dugót az elektromos hálózatról és/vagy vegye ki az akkumulátort a szerszámgépéből.** Ezekkel a biztonsági óvintézkedésekkel csökkenthető a szser-számgép véletlenszerű beindításának a veszélye.
- d) **A nem használt szerszámgépeket gyermekektől elzárva tárolja, illetve ne engedje, hogy a szerszámgépet vagy a jelen dokumentumban található utasításokat nem ismerő személyek üzemeltessék a szerszámgépet.** A szerszámgépek veszélyforrássá válhatnak nem szakképzett felhasználók kezében.
- e) **Tartsa karban az elektromos szerszámokat és tartozékaikat. Ellenőrizze a mozgó alka-trészek helytelen beállítását, az alkatrészek törését és bármilyen egyéb állapotát, amely befolyásolhatja a az elektromos kéziszerszám működését.** Sérülés esetén javíttassa meg az elektromos kéziszerszámot használat előtt. Sok balesetet a rosszul karbantartott szerszámok okoznak.



- f) **A vágószerszámokat mindig tartsa tisztán és élesen.** A megfelelően karbantartott (értsd: mindig éles) vágószerszámoknál kevésbé valószínű a berágódás, illetve azokat könnyebb irányítani.
- g) **A szerszám, valamint annak tartozékai (pl. bitek) használata során mindig tartsa be ezeket az utasításokat, valamint vegye fi gyelembe a munkakörülményeket és az elvégzendő munka jellegét.** A szerszámok nem rendeltetészerű használata veszélyes helyzetek kialakulásához vezethet.
- h) **Tartsa a markolatot szárazon, tisztán, olajtól és zsírtól mentesen.** A csúszos fogantyúk nem teszik lehetővé a szerszám váratlan helyzetekben történő biztonságos kezelését és ellenőrzését.
- 5) **AZ AKKUMULÁTOROS ELEKTROMOS KÉZISZERSZÁMOK GONDOS KEZELÉSE ÉS HASZNÁLATA**
- a) **Az akkumulátort csak a gyártó által ajánlott töltőkészülékekkel töltsse fel.** Ha egy bizonyos akkumulátortípus feltöltésére szolgáló töltőkészülékben egy másik akkumulátort próbál feltölteni, tűz keletkezhet.
- b) **Az elektromos kéziszerszámhoz csak az ahhoz tartozó akkumulátort használja.** Más akkumulátorok használata személyi sérüléseket és tüzet okozhat.
- c) **A használaton kívüli akkumulátort tartsa távol bármely fémtárgytól, mint például irodai kapcsolóktól, pénzérméktől, kulcsoktól, szögektől, csavaroktól és más kisméretű fémtárgyaktól, amelyek áthidalhatják az érintkezőket.** Az akkumulátor érintkezői közötti rövidzárlat égési sérüléseket vagy tüzet okozhat.
- d) **Nem megfelelő körülmények esetén az akkumulátorból folyadék léphet ki. Kerülje az érintkezést a folyadékkal. Ha véletlenül mégis érintkezésbe került a folyadékkal, azonnal öblítse le vízzel az érintett felületet. Ha a folyadék a szemébe jutott, keressen fel ezen kívül egy orvost.** Az akkumulátorból kilépő folyadék irritációkat vagy égéses bőrsérüléseket okozhat.
- e) **Soha ne használjon egy akkumulátort vagy szerszámot, ha az megrongálódott, vagy ha változtatásokat hajtott végre rajta.** A megrongálódott vagy megváltoztatott akkumulátorok kiszámíthatatlanul viselkedhetnek, amely tűzhez, robbanáshoz vagy sérülésveszélyhez vezet.
- f) **Ne tegye ki se az akkumulátort se a szerszámot tűz, vagy extrém hőmérsékleti hatásoknak.** Ha az akkumulátort tűznek, vagy 130 °C-ot meghaladó hőmérsékletnek teszi ki, az robbanást okozhat.
- g) **Tartson be valamennyi töltési előírást és ne töltsse fel az akkumulátort, ha annak hőmérséklete az utasításokban megadott hőmérséklet-tartományon kívül van.** Az akkumulátor nem megfelelő módon, vagy a megadott hőmérséklet-tartományon kívüli feltöltése megrongálhatja az akkumulátort és megnövelheti a tűzveszélyt.
- 6) **JAVÍTÁS**
- a) **A szerszám gép javítását bizza megfelelően**

**képzett szakemberre, és a javításhoz csak típusazonos cserealkatrészeket használjon.** Ezzel biztosítható a szerszám gép folyamatos és biztonságos üzemeltetése.

- b) **Soha ne szervizeljen megrongálódott akkumulátort.** Az akkumulátort csak a gyártónak, vagy az erre feljogosított szolgáltatóknak szabad szervizelniük.

## A KÖTÖZŐGÉP BIZTONSÁGI FIGYELMEZTETÉSEI

### FIGYELEM!

1. Kötözés közben ne távolítsa el az első burkolatot. A személyi sérülés elkerülése érdekében tartsa távol az első kötőzóját minden testrésztől.
2. Miután a kötözés elkészült, figyelmesen vegye a kötőzószerszámot a következő kötözési helyre. A szerszám figyelmes kezelése védelmet nyújt a kezelőnek, és meghosszabbítja a kötőzőgép hasznos élettartamát.
3. Ne használja a kötőzőgépet esőben ☒ – a szerszám belsejében lévő víz károsíthatja azt.
4. A termék szőlővesszők és egyéb ágak kötözésére készült, maximum 25 mm átmérőig. Az ezen a működési tartományon kívüli használat károsíthatja a szerszámot, illetve lerövidítheti az élettartamát.
5. A beszorult adagolókampó vagy kötőzósínór eltávolításá kisérlete előtt kapcsolja ki a szerszám tápellátását.
6. Ügyeljen arra, hogy legyen elegendő hely az adagolókampó mozgásához, mert bármilyen akadály gyenge kötözési minőséghez vezethet.
7. Ne használja a szerszámot gyúlékony folyadékok vagy gázok közelében. Rövidzárlat esetén ez robbanást vagy tüzet okozhat.
8. Az adagolórendszer rendszeresen ellenőrizni és tisztítani kell. Ha az adagoló pályán idegen anyagok gyűlnek össze, az hatással van a kötözési műveletre és megnöveli a készülék terhelését. A termékgarancia a nem megfelelő karbantartásból eredő sérülésekre nem terjed ki.
9. Ne kísérelje meg maga megjavítani a szerszámot, kivéve, ha erre kiképezték. A jelen útmutatóban nem ismertetett javítási műveleteket szervizközpontunk személyzetének kell elvégeznie.

### ZAJSZINT/REZGÉSZINT

- A-súlyozott hangnyomásszint  $LpA=70,5$  dB(A), bizonytalanság  $K=3$  dB(A). A-súlyozott hangnyomásszint  $LpA=81,5$  dB(A), bizonytalanság  $K=3$  dB(A). A felhasználó számára hallásvédő viselése javasolt.
- Rezgésgyorsulás összértéke  $1,125$  m/s<sup>2</sup>, bizonytalanság  $K=1,5$  m/s<sup>2</sup>. A megadott rezgési összértéket szabványos vizsgálati módszerrel mérték, és az felhasználható a szerszámok összehasonlítására. A megadott rezgési összérték a kitetséges előzetes felmérésére is felhasználható.

### FIGYELEM!

A rezgés kibocsátás az elektromos kéziszerszám tényleges használata során eltérhet a megadott összértéktől, attól függően, hogy a szerszámot milyen

módon használják.

Meg kell határozni a használó védelmét szolgáló biztonsági intézkedéseket, amelyek a tényleges használati körülmények közötti expozíció becslésén alapulnak (figyelembe véve a működési ciklus minden részét, például a szerszám kikapcsolásának és üresjáratainak idejét, a működési idő mellett).

## РЪКОВОДСТВА

Olvassa be a kézikönyv elején található QR-kódot, vagy a 2 éves garancia meghosszabbításáért, illetve az oktatóvideók megtekintéséhez látogasson el a [www.rapid.com](http://www.rapid.com) weboldalra:

- Hogyan kell kicserélni az orsókat?
- Hogyan kell használni a szerszámot?
- Hogyan kell kicserélni a kopó alkatrészeket?

## MŰKÖDTETÉS ÉS HASZNÁLAT

### A KÖTŐZŐGÉP BEKAPCSOLÁSA

Győződjön meg arról, hogy a szerszám megfelelő állapotban van.

Helyezzen egy feltöltött akkumulátort a kötőzőgép tápcsatlakozójába.

Nyomja meg a tápellátás kapcsolóját, a kijelző ekkor világítani kezd, és egy hosszú, majd 3 rövid hangjelzés hallható.

### KÖTŐZÉSI MŰVELET

Helyezze az ágakat a kötőzőszájba.

A kötőzés elkészítéséhez húzza meg a működtető kart.

Engedje vissza a kart, és vegye el a szerszámot az ágtól.

A következő kötőzéshez ismételje meg a fenti lépéseket.

### ÚJ CSÉVE BEHELYEZÉSE A SMART CUT FUNKCIO HASZNÁLATÁVAL

**FIGYELEM! A SZERSZÁM HATÉKONY ÚJRATÖLTÉSÉHEZ KÖVESSE AZ ALÁBBI 8 LÉPÉST**

1. Hagyja abba a kötőzést, ha a csévén 4–5 fordulnyi zsinór maradt, lásd a G1 ábrát.
2. Tartsa meghúzva a kart 4–5 másodpercig, amíg a vezetőkampó aktív helyzetben rögzül, majd engedje fel a kart. A Smart Cut funkció ezzel aktiválódik, lásd a G2 ábrát.  
Ne kapcsolja ki a szerszámot, és még ne húzza meg a kart.  
Nyissa ki a húzócsatot, és vegye le a külső fedelet.
3. Távolítsa el a használt csévé a maradék zsinórral, illetve rögzítse a zsinórt a horog szájánál, lásd a G3 ábrát.
4. Ezután a Smart Cut funkciót kikapcsolásához húzza meg egyszer a kart, és távolítsa el a zsinórt a horog szájából, lásd a G4 ábrát.
5. Helyezze az új csévé közvetlenül a tárba. Távolítsa el a „végrögzítő szalagot”, lásd a G5 ábrát.
6. Illessze a zsinórt az adagolócsőbe, amíg az el nem éri a végütközőt, majd a behelyezett zsinór adagolásához húzza meg a kart, lásd a G6 ábrát.


**!** Ügyeljen arra, hogy a zsinór a cséve felső és nem az alsó része felől kerüljön az adagolócsőbe. Arra is ügyeljen, hogy a zsinór

ne tekeredjen meg, illetve ne legyen rajta csomó.

7. Távolítsa el a fő rögzítőszalagot, lásd a G7 ábrát.
8. Helyezze vissza a cséverögzítő burkolatot, és használja meg a kart, amíg elfogadható kötést nem kap, lásd a G8 ábrát.

### A CSAVARÁSI SZINT BEÁLLÍTÁSA

A kötőző ágak típusának leginkább megfelelő kötés biztosításához a „Csavarási szint” választásával beállíthatja a csavarások számát.

| Csavarásállító  |   |   |   |   |
|---|---|---|---|---|
| Csavarási szint  | 1 | 2 | 3 | 4 |
| Csavarások száma  | 2 | 3 | 4 | 5 |

### HIBAJELZŐ SÍPOLÁSOK

| Gyakran ismétlődő sípolások | Hiba                      | Megoldás  |
|-----------------------------|---------------------------|---|
| Egy sípolás                 | Akkumulátorkapacitás-hiba | Ellenőrizze, hogy nem túl alacsony-e az akkumulátor töltöttsége |
| Több sípolás                | Belső szerszámhiba        | A szerszámot szakszervizbe kell vinni                           |

### AZ AKKUMULÁTOR HASZNÁLATA ÉS ÁPOLÁSA



#### VIGYÁZAT!

1. Csak a szerszámmal együtt szállított akkumulátortöltőt használja, más töltő használata tüzet okozhat.
2. Az akkumulátort csak a megadott hőmérséklet-tartományban használja, töltsse és tárolja.
3. +4 C ° alatt az akkumulátorok kapacitása csökkenhet, ami csökkentheti a használati ciklusok számát.
4. Ne zárja rövide az akkumulátort, és biztosítsa, hogy távol tartsa a vezető anyagokat az akkumulátortól, ha az nincs használatban.
5. Ne szerelje szét az akkumulátort.
6. Ne használja az akkumulátort hőforrás közelében.
7. Ne tegye az akkumulátort tűzbe vagy vízbe.
8. Ne tegyen kárt az akkumulátorban.
9. Ne használjon sérült, deformálódott vagy korrodált akkumulátort.
10. Ne végezzen forrasztást vagy hegesztést az akkumulátoron.
11. Ne használja az akkumulátort más eszközön, mint amelyre azt szánták.
12. Ne helyezze az akkumulátort mikrohullámű sütőbe.
13. Ne használjon szivárgó akkumulátort.
14. Tartsa GYERMEKEKTŐL távol az akkumulátort.
15. Ha érintkezésbe kerül szivárgó akkumulátorral, azonnal mossa le tiszta vízzel.

### AZ AKKUMULÁTOR TÖLTÉSE

Csatlakoztassa az akkumulátort a töltőhöz, és csatlakoztassa a töltő csatlakozóját a hálózati aljzathoz. A töltőn lévő LED jelzőfény PIROS színűre vált töltés közben, és ZÖLD színűre vált, ha az akkumulátor teljesen feltöltődött, lásd az E2 ábrát.



#### VIGYÁZAT!

### AZ AKKUMULÁTOR TÖLTÉSE

1. Töltés közben normális jelenség, hogy a töltő és az akkumulátor felmelegszik.

2. Ne töltsön sérült akkumulátort, és ne szerelje szét a töltőt vagy az akkumulátorcsomagot.
3. Az akkumulátort csak a megadott hőmérséklet-tartományban töltsé.
4. Ne helyezze az akkumulátort magas hőmérsékletű hőforrás közelébe; tűzben vagy hosszú ideig tartó magas hőmérsékletű hőforrás hatásának kitéve az akkumulátor fellobbanhat.
5. Ne töltsé az akkumulátort kültéren vagy párás környezetben.

#### AZ AKKUMULÁTOR TÁROLÁSA

1. Az akkumulátorcsomag megfelelő tárolása érdekében azt a megadott hőmérsékleti tartományon belül tartsa.
2. Ha a szerszámot hosszú ideig nem használja, tárolás előtt vegye ki és töltsé fel az akkumulátort.
3. Tároláskor ajánlatos az akkumulátort és a töltőt a szerszám dobozába helyezni.
4. Az akkumulátort száraz helyen, gyúlékony anyagoktól távol kell tárolni.

#### A TÖLTŐ HASZNÁLATA ÉS ÁPOLÁSA



#### VIGYÁZAT!

A berendezés biztonsága érdekében az eredeti töltőt használja.

Csak jó állapotú töltőt használjon, soha ne próbáljon hibás töltőt használni.

Győződjön meg arról, hogy a tápfeszültség megegyezik a töltő adattábláján szereplő névleges feszültséggel.

Ha a töltőt nem használja, húzza ki csatlakozóját az hálózati aljzatból.

Ne használja a töltőt kültéren vagy párás környezetben. A szennyeződés vagy víz készülékbe jutása növeli az áramütés kockázatát.

A töltőt csak az eredeti akkumulátor töltésére szabad használni, ellenkező esetben személyi sérülést és tüzet okozhat.

Kerülje el a töltő sérülését; a sérült töltő növelheti az áramütés kockázatát.

Ne használjon töltőt gyúlékony felületeken (pl. papír, textil).

Ha a töltő tápkábele megsérül, azt szakképzett személynek ki kell cserélnie.

#### KARBANTARTÁS



#### FIGYELEM!

Minden karbantartás előtt válassza le az akkumulátort **ÁLTALÁNOS TISZTÍTÁS MINDEN CSÉVE UTÁN**

A szerszámot egy nedves ruhával át kell törölni.

Használjon egy ecsetet vagy hasonló eszközt az idegen anyagok eltávolítására a vezetősávból, a csavarókerékről és az adagolótálcából.

! Ne használjon tisztítószert, mert ez a szerszám tartós károsodásához vezethet.

#### OLAJOZÁS ÉS KENÉS MINDEN MUNKANAPOT KÖVETÉSEN

Használjon jó minőségű többfokozatú olajat, például 3-IN-ONE vagy 15W-40 olajat. Kenjen meg minden mozgatható csuklót és a vágórészt, lásd az A13

ábrát.

#### AZ ADAGOLÓEGYSÉG CSERÉJE

Ha az adagolókerék már nem adagolja a zsinórt, ajánlott kicserélni azt. Készlet cikkszám: 5001602

#### A CSAVARÓ- ÉS KAMPÓEGYSÉG CSERÉJE

Ha a csavarókerék nem csavar, vagy rossz csavarást kap eredményül, akkor csere javasolt. Készlet cikkszám: 5001603

#### A FÉKEGYSÉG CSERÉJE

Ha a forgófék és a rögzített fékagy közötti O-gyűrű elhasználódott, csere javasolt. Készlet cikkszám: 5001604

#### PÓTALKATRÉSZEK LISTÁJA

##### „A” KÉSZLET: VÁGÓEGYSÉG CIKKSZÁM 5001601

| POZÍCIÓ | LEÍRÁS            | MENNYISÉG |
|---------|-------------------|-----------|
| 76.     | Rögzített penge   | 1         |
| 77.     | Pengevezető blokk | 1         |
| 81.     | Mozgó penge       | 1         |

##### „B” KÉSZLET: ADAGOLÓEGYSÉG CIKKSZÁM 5001602

| POZÍCIÓ | LEÍRÁS       | MENNYISÉG |
|---------|--------------|-----------|
| 80.     | Gumikerék    | 3         |
| 64.     | Rögzítőgyűrű | 3         |

##### „C” KÉSZLET: CSAVARÓ- ÉS KAMPÓEGYSÉG CIKKSZÁM 5001603

| POZÍCIÓ | LEÍRÁS            | MENNYISÉG |
|---------|-------------------|-----------|
| 61.     | Kötözőkerék       | 1         |
| 62.     | Hatlapfejű csavar | 1         |
| 68.     | Fő kampó          | 1         |
| 69.     | Tű                | 1         |
| 54.     | Vezetőblokk       | 1         |

##### „D” KÉSZLET: FÉKEGYSÉG CIKKSZÁM 5001604

| POZÍCIÓ | LEÍRÁS        | MENNYISÉG |
|---------|---------------|-----------|
| 5.      | Csavar        | 1         |
| 6.      | Lapos tömítés | 1         |
| 8.      | Gyűrű         | 1         |
| 11.     | Pánt          | 1         |

##### „E” KÉSZLET: OLLÓ

CIKKSZÁM 5001605

#### TOVÁBBI SZERVIZINFOMÁCIÓK

Lásd: [www.rapid.com](http://www.rapid.com)

#### GARANCIA

##### I. GARANCIA

Erre a RAPID termékre a végfelhasználónak történő átadástól számítva a gyártó (vagy a kereskedő) három (3) év garanciát biztosít (a kopó alkatrészek, tartozékok, akkumulátorok és töltők kivételével). Az akkumulátorokra és töltőkre két (2) év garancia vonatkozik. A szerszámra vonatkozó garancia öt (5) évre történő meghosszabbításához, kérjük, regisztráljon online a [www.rapid.com](http://www.rapid.com) weboldalon, vagy olvassa be a QR-kódot. Készítse elő a szerszámot és a vásárlási bizonylatot.

## II. GARANCIÁLIS FELTÉTELEK

A rendeltetéstől eltérő használat vagy a termék rendeltetéstől eltérő körülmények közötti használata, különösen a jelen használati utasításban leírtak tekintetében, a gyártói garancia elvesztésével jár. Utés, leesés, gondatlanság, felügyelet és/vagy karbantartás hiánya esetén a garancia érvényét veszti. A végfelhasználó által a termékeken végzett bármilyen változtatás, átalakítás vagy módosítás érvényteleníti a garanciát. A kopó alkatrészekre, tartozékokra és/vagy fogyóeszközökre a garancia nem terjed ki.

Tartozéknak, kopóalkatrésznek vagy fogyóeszköznek minősülnek: a hordtáska és a csomagolás, a huzal orsók és a jelen használati útmutatóban szereplő pótalkatrész-készletek (KIT A-tól KIT E-ig).

## III. GARANCIÁLIS IGÉNY

A garanciális időszak a végfelhasználónak történő átadás napjától kezdődik.

Garanciális igény esetén a terméket az eredeti dobozában (akkumulátorokkal és töltővel együtt) kell visszaküldeni, a vásárlás dátumát feltüntetett blokk másolatával együtt.

### AZ AKKUMULÁTOR MEGSEMISÍTÉSE

A lemerült elemeket el kell távolítani a készülékből, és biztonságosan ártalmatlanítani kell.

Az akkumulátorokat nem szabad a háztartási hulladékkal együtt megsemmisíteni mert mérgező nehézfémeket tartalmaznak ezért azokra a veszélyes hulladékokra vonatkozó előírások vonatkoznak.

Kérjük, az elhasznált akkumulátorokat adja le a helyi hulladékuvarban.



2012/19/EU

**HU Elektromos és elektronikus berendezések hulladékai**

Az elektromos és elektronikus eszközök olyan anyagokat és anyagokat tartalmaznak, amelyek káros hatással lehetnek az emberi egészségre és a környezetre. A szimbólum a terméken, tartozékokon vagy csomagoláson azt jelenti, hogy a terméket nem szabad szelektálatlan települési hulladékként kezelni, hanem elkülönítetten kell begyűjteni! A terméket az elektromos és elektronikus berendezések hulladékainak újrafelhasználására szolgáló begyűjtő központban ártalmatlanítsa az EU területén és egyéb európai országokban, ahol külön begyűjtő rendszert működtetnek az elektromos és elektronikus berendezések hulladékai számára. A termék megfelelő ártalmatlanításával hozzájárul a környezeti és közegészségügyi kockázat elkerüléséhez, amelyet a berendezések hulladékainak nem megfelelő kezelése okozhat. Az anyagok újrafelhasználása segíti a természetes erőforrások megőrzését.

## BHX50 MAȘINĂ DE LEGAT PE ACUMULATORI

Traducerea instrucțiunilor originale

RO

### DESCRIEREA PIESELOR INSTRUMENTULUI

- A. Mașină de legare
- A1. Cârlig de ghidare
- A2. Placă de presare a legăturii
- A3. Roată de răsucire
- A4. Lumină LED
- A5. Declanșator
- A6. Tavă de alimentare
- A7. Bobină
- A8. Curea elastică
- A9. Selector de răsucire - minus
- A10. Ecran de afișare
- A11. Selector de răsucire - plus
- A12. Buton de alimentare
- A13. Lubrifiere
- B. Baterie cu litiu
- B1. Buton de eliberare a bateriei
- B2. Conector de intrare a bateriei
- C. Încărcător de baterie
- C1. Conector de intrare a alimentării
- C2. Indicator luminos LED al încărcătorului
- C3. Mufa de încărcare
- D. Foarfecă
- E2. Încărcarea bateriei
- F. Simboluri
- F1. Vă rugăm să citiți cu atenție toate avertismentele și instrucțiunile de siguranță.

- F2. Baterie poate fi încărcată numai în interior
- F3. Izolație dublă; nu este necesară împământarea.
- F4. Încărcător cu transformator de siguranță.
- F5. Încărcarea bateriei se va întrerupe automat la supraîncălzire.
- F6. Nu utilizați și nu expuneți mașina de legat la/în condiții de ploaie.
- F7. Echipamentul electric nu poate fi reciclat împreună cu deșeurile menajere.
- F8. Nu atingeți niciodată obiecte încărcate cu foarfeca electrică.
- F9. Purtați protecție pentru ochi și urechi.
- F10. Purtați mănuși de protecție.
- F11. Simbolul de avertizare, cu informații privind vătămările corporale

### INTRODUCERE

Acest instrument este destinat legării în podgorii a lăstarilor de viță-de-vie cu un diametru maxim de 25 mm.

Mașina de legat trebuie utilizată numai în scopurile prevăzute.

Dacă această unealtă este utilizată în alte scopuri neaprobate, aceasta poate provoca deteriorarea unelei și poate cauza vătămări pentru utilizator.

Această unealtă trebuie utilizată numai de către adulți sau de către tineri sub supravegherea adulților.

Operatorul sau utilizatorul își asumă întreaga responsabilitate pentru orice vătămare a altor persoane sau orice daune materiale cauzate de orice accident

survenit în timpul utilizării.

Producătorul nu este răspunzător pentru daunele cauzate de o utilizare anormală sau necorespunzătoare.

## SPECIFICAȚII TEHNICE

|   |   |
|---|---|
| Mașină de legat cu baterii, număr de model  | BHX50   |
| Tipul de rolă                               | Legătură din hârtie sau plastic   |
| Capacitatea de înmagazinare, max.           | 100 m   |
| Capacitate maximă de legare                 | 25 mm   |
| Dimensiunile unei fi x l x L                | 240 x 75 x 310 mm   |
| Greutate                                    | 1065 kg (inclusiv baterie)  |
| Modelul, tipul și tensiunea bateriei        | Model detașabil KH-B1A16BX, LI-Ion, 14,4 V  |
| Capacitatea bateriei, putere, putere maximă | 2500 mAh, 100 W, 500 W  |
| Condiții de încărcare a bateriei            | +4°C până la +40°C  |
| Condiții de depozitare a bateriei           | -20°C până la +50°C   |
| Încărcător de baterie                       | 100-240 V c.a., 50-60 Hz, intrare 0,5 A<br>16,8 V c.c., 1,42 A, terminale pentru două<br>baterii, încărcare secvențială |
| Timp de încărcare                           | 120 minute/fiecare baterie  |
| Legături per încărcare, max.                | ≈ 9000 legături   |
| Viteza de legare, max. continuă             | 12 legături/min.  |
| Condiții de funcționare                     | +4°C până la +40°C  |

## AVERTISMENTE GENERALE DE SIGURANȚĂ PENTRU SCULE ELECTRICE



**AVERTISMENT!!** Citiți toate avertismentele de siguranță, instrucțiunile, ilustrațiile și specificațiile furnizate împreună cu această unealtă electrică.

**Dacă nu respectați toate instrucțiunile de mai jos se poate ajunge la electrocutare, incendiu și/sau răniri grave ale persoanelor.**

**Păstrați toate avertismentele și instrucțiunile pentru consultare ulterioară.**

Termenul "scule electrice" din avertismente se referă la scula dvs. electrică acționată de la rețea (cu fir) sau acționată cu acumulatori (fără fir).

### 1) SIGURANȚA LOCULUI DE MUNCĂ

- Păstrați locul dvs. de muncă curat și bine iluminat.** Bancurile dezordonate și zonele întunecoase predispun la accidente.
- Nu operați scula electrică în medii explozive, cum ar fi prezența lichidelor, gazelor sau prafulor inflamabile.** Sculele electrice provoacă scântei care pot aprinde praful sau vaporii.
- Țineți la distanță asistența, copiii și vizitatorii**

**când operați o sculă electrică.** Dacă sunteți distras, puteți pierde controlul.

### 2) SECURITATEA ELECTRICĂ

- Ștecherul sculei electrice trebuie să se potrivească cu priza. Nu modificați niciodată ștecherul în niciun fel. Nu folosiți niciun adaptor pentru ștecher cu sculele electrice împământate.** Ștecherule nemodifi care și prizele care se potrivesc vor reduce riscul de electrocutare.
- Evitați contactul corpului cu suprafețele împământate, cum ar fi conducte, calorifere, mașini de gătit și frigidere.** Există un risc crescut de electrocutare dacă corpul dvs. este legat la pământ.
- Nu expuneți sculele electrice la ploaie sau condiții umede.** Apa care intră într-o sculă electrică va crește pericolul de electrocutare.
- Nu trageți de cablu. Nu folosiți niciodată cablul pentru a transporta, a trage sau a scoate din priză scula electrică Țineți cablul departe de căldură, ulei, muchii tăioase sau piese în mișcare.** Cablurile de alimentare deteriorate sau încurcate cresc riscul de electrocutare.
- Când folosiți o sculă electrică în aer liber, utilizați un cablu prelungitor potrivit pentru exterior.** Folosirea unui cablu prelungitor potrivit pentru exterior reduce riscul de electrocutare.
- Dacă funcționarea unei scule electrice într-o locație cu umiditate ridicată este inevitabilă, folosiți o sursă protejată de curent rezidual.** Utilizarea unei siguranțe automate pe circuitul de alimentare reduce riscul de electrocutare.

### 3) SECURITATEA PERSOANELOR

- Fiți vigilenți, priviți ceea ce faceți și procedați rațional atunci când lucrați cu scula electrică. Nu folosiți o sculă electrică dacă sunteți obosiți sau vă aflați sub influența drogurilor, alcoolului sau a medicamentelor.** Un moment de neatenție în timpul lucrului cu scula electrică poate duce la răniri grave.
- Folosiți echipamentul personal de protecție. Purați întotdeauna ochelari de protecție.** Echipamentul de protecție cum ar fi masca de protecție împotriva prafului, încălțăminte de siguranță antiderapantă, cască de protecție sau aparat de protecție auditivă folosite pentru condițiile corespunzătoare, reduce riscul rănirilor.
- Preveniți pornirea neintenționată. Asigurați-vă că întrerupătorul este în poziția oprit înainte de a face legătura la sursa de curent și/sau la acumulator, de a ridica sau de a căra scula.** Dacă duceți scula electrică cu degetul apăsat pe întrerupător sau alimentați o sculă electrică ce are întrerupătorul pe poziția pornit, puteți provoca accidente.
- Scoateți toate cheile fi xe și reglabile înainte de a porni scula electrică.** O cheie reglabilă sau fi xă lăsată într-o componentă de mașină care se rotește, poate provoca răniri.
- Nu vă supraapreciați. Adoptați o poziție corectă și păstrați-vă întotdeauna echilibrul.** Astfel veți putea controla mai bine mașina în situații neașteptate.

- f) **Îmbrăcați-vă corespunzător. Nu purtați haine largi sau bijuterii. Țineți părul, îmbrăcămintea și mănușile departe de componente afl ate în mișcare. Imbrăcămintea largă, bijuteriile și părul lung pot fi prinse de piesele afl ate în mișcare.**
- g) **Dacă aparatul este prevăzut pentru legarea cu echipamente de aspirare și colectare a prafului, asigurați-vă că acestea sunt conectate și folosite corect. Folosirea unui echipament de aspirare a prafului poate reduce pericolele legate de praf..**
- h) **Nu deveniți visători ca urmare a rutinei utilizării frecvente a uneltelor și să ignorați principiile de siguranță ale sculelor. O acțiune neglijentă poate provoca vătămări grave într-o fracțiune de secundă.**
- 4) UTILIZAREA ȘI ÎNTREȚINEREA SCULEI ELECTRICE**
- a) **Nu forțați scula electrică. Folosiți scula electrică corectă pentru aplicația dvs. Scula electrică corectă va face treaba mai bine și mai sigur în ritmul pentru care a fost proiectată.**
- b) **Nu folosiți scula electrică dacă întrerupătorul nu poate fi pornit sau oprit. Orice sculă electrică care nu poate fi controlată cu întrerupătorul este periculoasă și trebuie reparată.**
- c) **Scoateți ștecherul din priză și/sau acumulatorul de la scula electrică înainte de a face orice reglaje, de a schimba accesorii sau de a depozita scula electrică. Astfel de măsuri de siguranță preventive reduc riscul de pornire accidentală a sculei electrice.**
- d) **Depozitați sculele electrice nefolosite departe de accesul copiilor și nu permiteți persoanelor care nu sunt familiarizate cu scula electrică sau cu aceste instrucțiuni să folosească scula electrică. Sculele electrice sunt periculoase în mâinile utilizatorilor neexperimentați.**
- e) **Întreținerea sculelor electrice și a accesoriilor. Verificați alinierea sau montarea greșită a pieselor mobile. Ruperea pieselor componente sau oricare alte condiții pot afecta funcționarea sculei electrice. Dacă observați deteriorări, reparați scula înainte de utilizare. Multe accidente sunt cauzate de scule electrice slab întreținute.**
- f) **Păstrați sculele de tăiere ascuțite și curate. Sculele de tăiere menținute corect, cu margini tăioase, sunt mai puțin expuse blocării și sunt mai ușor de controlat.**
- g) **Folosiți scula electrică, accesoriile și biturile sculei, etc., conform acestor instrucțiuni, ținând cont de condițiile de lucru și de munca ce trebuie executată. Folosirea sculei electrice pentru alte operațiuni decât cele pentru care a fost gândită, poate duce la situații periculoase.**
- h) **Mențineți mânerele și suprafețele de prindere uscate, curate și ferite de ulei și grăsime. Mânerele alunecoase și suprafețele de prindere nu permit manipularea și controlul în siguranță al sculei în situații neașteptate.**
- 5) MANEVRAREA ȘI UTILIZAREA ATENTĂ A SCULELOR ELECTRICE CU ACUMULATOR**
- a) **Încărcați acumulatorii numai în încărcătoarele**
- recomandate de producător. Dacă un încărcător destinat unui anumit tip de acumulator este folosit la încărcarea altor tipuri de acumulatori decât cele prevăzute pentru el, există pericol de incendiu.**
- b) **Folosiți numai acumulatori special destinați sculelor electrice respective. Utilizarea altor acumulatori poate duce la răniri și pericol de incendiu.**
- c) **Ferțiți acumulatorii nefolosiți de agrafele de birou, monede, chei, cuie, șuruburi sau alte obiecte metalice mici, care ar putea provoca șuntarea bornelor. Un scurtcircuit între bornele acumulatorului poate duce la arsuri sau incendiu.**
- d) **În cazul utilizării greșite, se poate scurge lichid din acumulator; evitați contactul cu acesta. În cazul contactului accidental cu acesta clătiți cu apă zona afectată. În cazul contactului lichidului cu ochii, consultați de asemenea un medic. Lichidul scurs din acumulator poate produce iritații ale pielii sau arsuri.**
- e) **Nu folosiți un acumulator sau o sculă electrică cu acumulator deteriorat sau modificat. Acumulatorii deteriorați sau modificați pot avea un comportament imprevizibil care să ducă la incendiu, explozie sau să genereze risc de vătămări corporale.**
- f) **Nu expuneți acumulatorul sau scula electrică la foc sau temperaturi excesive. Expunerea la temperaturi mai mari de 130°C poate duce la explozii.**
- g) **Respectați toate instrucțiunile de încărcare și nu reincărcați acumulatorul sau scula electrică cu acumulator la temperaturi situate în afara intervalului de temperaturi specificate în instrucțiuni. Încărcarea incorectă sau la temperaturi situate în afara intervalului de temperaturi specificat ar putea cauza deteriorarea acumulatorului și mări riscul de incendiu.**
- 6) SERVICE**
- a) **Duceți scula electrică pentru întreținere la o persoană calificată pentru reparații, folosind piese de schimb identice. Acest lucru va garanta faptul că siguranța sculei electrice este menținută.**
- b) **Nu întrețineți niciodată acumulatori deteriorați. Întreținerea acumulatorilor ar trebui efectuată numai de către producător sau de către furnizorii de service autorizați de acesta.**

#### AVERTISMENTE DE SIGURANȚĂ PRIVIND MAȘINA DE LEGAT

#### ATENȚIE!

1. Nu scoateți capacul frontal în timpul funcționării. Pentru a evita orice vătămări personale, păstrați gura de legare a capătului frontal departe de orice parte a corpului.
2. După finalizarea operațiunii de legare, deplasați cu grijă instrumentul în următoarea poziție de operare. Manipularea atentă a instrumentului va proteja operatorul și va prelungi durata de viață a mașinii de legat.
3. Nu utilizați mașina de legat pe timp de ploaie; apa din interiorul instrumentului o poate deteriora.

## OPERARE ȘI UTILIZARE

### PORNIȚI MAȘINA DE LEGAT

Asigurați-vă că instrumentul este în stare bună de funcționare.

Introduceți o baterie încărcată în conectorul de alimentare al mașinii de legat

Apăsăți butonul de alimentare, afișajul se aprinde și veți auzi un bip lung, 3 scurte și unul lung.

### OPERAȚIUNEA DE LEGARE

Așezați brațele în interiorul gurii de legare


Apăsăți declanșatorul pentru a face o legătură

Eliberați declanșatorul și scoateți instrumentul din braț

Repețați pentru a face următoarea legătură


### ÎNCĂRCAREA UNEI BOBINE NOI CU AJUTORUL TĂIERII INTELIGENTE

#### ATENȚIE!!! URMĂȚI ACEȘTI 8 PAȘI PENTRU A REÎNCĂRCA EFICIENT INSTRUMENTUL

1. Opriți legarea atunci când mai aveți 4-5 spire de sârmă rămase pe bobină; a se vedea imaginea G1
2. Țineți apăsat declanșatorul timp de 4-5 s. până când cârligul de ghidare se blochează în poziția activă, apoi eliberați. Este activată tăierea inteligentă; a se vedea imaginea G2  
Nu opriți mașina și nu apăsați încă pe declanșator  
Deschideți catarama de tragere și scoateți capacul exterior
3. Îndepărtați bobina folosită cu sârma rămasă și legați-o în gura cârligului; a se vedea imaginea G3
4. Apăsăți acum o dată declanșatorul pentru a dezactiva tăierea inteligentă și scoateți legătura din gura cârligului; a se vedea imaginea G4
5. Așezați noua bobină direct în dispozitiv.  
Îndepărtați „banda de fixare a capetelor”; a se vedea imaginea G5.
6. Introduceți firul plat în duza de alimentare până când firul ajunge la opritorul final și apăsați declanșatorul pentru a alimenta firul introdus; a se vedea imaginea G6  
 ! Asigurați-vă că sârma este introdusă de sus și nu de jos. De asemenea, asigurați-vă că sârma nu este răsucită și înnodată.
7. Îndepărtați banda de fixare principală; a se vedea imaginea G7
8. Puneți la loc capacul portbobină și apăsați declanșatorul până când obțineți o legătură acceptabilă; a se vedea imaginea G8

### REGLAREA NIVELULUI DE RĂSUCIRE

Pentru ca nodurile să fie optime pentru tipul de ramuri pe care le legați, puteți regla numărul de răsuciri prin selectarea „Twist level” (Nivel de răsucire).

|   | Selector de răsucire |   |   |   |
|---|----------------------|---|---|---|
| Nivel de răsucire  | 1                    | 2 | 3 | 4 |
| Număr de răsuciri   | 2                    | 3 | 4 | 5 |

### INDICAȚII PRIVIND SEMNALUL SONOR DE DEFECȚIUNE

| Perioadele de frecvență ale semnalului sonor | Defecțiune | Metoda de soluționare |
|--|------------|-----------------------|
|--|------------|-----------------------|

4. Produsul este conceput pentru legarea viței de vie și a altor ramuri în intervalul de eficiență de 25 mm diametru maxim. Utilizarea în afara intervalului poate deteriora instrumentul sau reduce durata de viață.
5. Opriți alimentarea înainte de orice încercare de a îndepărta cârligul de alimentare sau firul de legare blocat.
6. Asigurați-vă că există suficient spațiu pentru ca cârligul de alimentare să se poată mișca; dacă există interferențe de mișcare, rezultatul legării poate fi slab.
7. Nu utilizați instrumentul în apropierea unor lichide sau gaze inflamabile. Dacă se produce un scurtcircuit, acesta poate provoca o explozie sau un incendiu.
8. Sistemul de alimentare trebuie verificat și curățat frecvent. Dacă se acumulează materiale străine în calea de alimentare, acestea va afecta operațiunea de legare și va crește sarcina echipamentului. Garanția produsului nu acoperă daunele cauzate de o întreținere necorespunzătoare.
9. Nu încercați să reparați singur instrumentul, cu excepția cazului în care ați fost instruit.  
Operațiunile de reparații care nu sunt menționate în acest manual trebuie efectuate numai de către personalul din centrul nostru de service.

### EMISII DE ZGOMOT/VIBRAȚII

- Nivelul de presiune acustică ponderat A  $L_pA=70,5$  dB(A), incertitudinea  $K=3$  dB(A). Nivel de putere acustică ponderat A  $L_wA=81,5$  dB(A), incertitudine  $K=3$  dB(A). Este recomandat ca operatorul să poarte protecție auditivă.
- Valoarea totală a vibrațiilor =  $1,125$  m/s<sup>2</sup>, incertitudine  $K=1,5$  m/s<sup>2</sup>. Valoarea totală a vibrațiilor declarată a fost măsurată în conformitate cu o metodă de testare standard și poate fi utilizată pentru a compara un instrumentul cu altul. Valoarea totală declarată a vibrațiilor poate fi utilizată, de asemenea, într-o evaluare preliminară a expunerii.

#### ATENȚIE!

Emisia de vibrații în timpul utilizării efective a instrumentului electric poate fi diferită de valoarea totală declarată, în funcție de modul în care este utilizat instrumentul.

Este necesar să se identifice măsuri de siguranță pentru a proteja operatorul care se bazează pe o estimare a expunerii în condițiile reale de utilizare (luând în considerare toate părțile ciclului de funcționare, cum ar fi momentele în care instrumentul este oprit și când funcționează în gol, pe lângă timpul de declanșare).

### TUTORIALE

Scanați codul QR de pe coperta manualului sau accesați [www.rapid.com](http://www.rapid.com) pentru a beneficia de garanția suplimentară de 2 ani și acces la tutorialele noastre video:

- Cum să schimbați bobinele
- Cum să manevrați instrumentul
- Cum să înlocuiți piesele consumabile

|                        |                                     |   |
|------------------------|-------------------------------------|---|
| Un singur semnal sonor | Defecțiune a capacității bateriei   | Verificați dacă capacitatea bateriei este scăzută |
| Bipuri multiple        | Defecțiune internă a instrumentului | Instrumentul are nevoie de service calificat      |

## UTILIZAREA ȘI ÎNGRIJIREA ACUMULATORULUI



### ATENȚIE!!!

1. Folosiți numai încărcătorul de baterii furnizat împreună cu instrumentul, utilizarea altor încărcătoare poate provoca incendii.
2. Utilizați, încărcați sau depozitați acumulatorul numai în intervalul de temperatură specificat.
3. Sub +4 °C, funcționarea acumulatorului poate fi afectată și se poate reduce numărul de cicluri.
4. Nu scurtcircuitați acumulatorul și asigurați-vă că țineți obiectele conductoare la distanță de acumulator atunci când nu îl utilizați.
5. Nu dezamblați acumulatorul.
6. Nu utilizați acumulatorul în apropierea unei surse de căldură.
7. Nu introduceți acumulatorul în foc sau în apă.
8. Nu deteriorați acumulatorul.
9. Nu utilizați un acumulator care este deteriorat, deformat sau corodat.
10. Nu efectuați lucrări de lipire sau sudură pe acumulator.
11. Nu utilizați acumulatorul pe alt echipament decât instrumentul desemnat.
12. Nu introduceți acumulatorul în cuptorul cu microunde.
13. Nu utilizați un acumulator care prezintă scurgeri.
14. Țineți acumulatorul departe din raza de acțiune a COPIILOR.
15. Dacă intrați în contact cu un acumulator care curge, spălați-l imediat cu apă curată.

### ÎNCĂRCAREA ACUMULATORULUI

Conectați acumulatorul la încărcător și conectați conectorul încărcătorului la priza de alimentare. Indicatorul LED de pe încărcător va deveni ROȘU în timpul încărcării și va deveni VERDE atunci când bateria este complet încărcată; consultați imaginea E2.



### ATENȚIE!!!

### ÎNCĂRCAREA ACUMULATORULUI

1. În timpul încărcării, este normal ca încărcătorul și acumulatorul să se încălzească.
2. Nu încărcați un acumulator deteriorat și nu dezamblați încărcătorul sau acumulatorul.
3. Încărcați acumulatorul numai în intervalul de temperatură specificat.
4. Nu așezați acumulatorul în apropierea unei surse de căldură la temperaturi ridicate; acumulatorul poate exploda în caz de incendiu sau după o expunere îndelungată la o sursă de căldură la temperaturi ridicate.
5. Nu încărcați acumulatorul într-un mediu exterior sau umed.

### DEPOZITAREA ACUMULATORULUI

1. Pentru a asigura o bună depozitare a acumu-

latorului, păstrați-l în intervalul de temperatură specificat.

2. Dacă echipamentul nu este utilizat pentru o perioadă lungă de timp, scoateți și încărcați acumulatorul înainte de depozitare.
3. Se recomandă să plasați bateria și încărcătorul în cutia instrumentului în timpul depozitării.
4. Bateria trebuie depozitată într-un mediu uscat, departe de orice substanțe inflamabile.

## UTILIZAREA ȘI ÎNGRIJIREA ÎNCĂRCĂTORULUI



### ATENȚIE!!

Utilizați încărcătorul original pentru a asigura siguranța echipamentului.

Utilizați numai un încărcător în stare bună și nu încercați niciodată să utilizați un încărcător defect.

Asigurați-vă că tensiunea de alimentare corespunde tensiunii nominale de pe plăcuța de identificare a încărcătorului.

Deconectați încărcătorul de la sursa de alimentare atunci când nu este utilizat.

Nu utilizați încărcătorul într-un mediu exterior sau umed. Pătrunderea murdăriei sau a apei va crește riscul de electrocutare.

Încărcătorul trebuie utilizat numai pentru a încărca bateria originală, în caz contrar poate provoca vătămări corporale și poate cauza un incendiu.

Evitați orice deteriorare a încărcătorului; un încărcător deteriorat poate crește riscul de șoc electric.

Nu utilizați încărcătoarele pe suprafețe inflamabile (de exemplu, hârtie, materiale textile)

În cazul în care cablul de alimentare al încărcătorului este deteriorat, acesta trebuie înlocuit de către personal calificat.

## ÎNTREȚINERE



### AVERTISMENT!!

Deconectați bateria înainte de orice operațiune de întreținere

### CURĂȚARE GENERALĂ DUPĂ CE FIECARE BOBINĂ ESTE TERMINATĂ

Instrumentul trebuie șters cu o cârpă umedă.

Folosiți o pensulă sau un obiect similar pentru a îndepărta corpurile străine din culoarul de ghidare, roata de răsucire și tava de alimentare.

! Nu utilizați niciun agent de curățare, deoarece acesta poate provoca deteriorarea permanentă a instrumentului.

### UNGERE ȘI LUBRIFIERE DUPĂ FIECARE ZI DE LUCRU

Folosiți un ulei bun multigrad, de exemplu 3-IN-ONE sau 15W-40. Lubrifiați fiecare articulație mobilă și dispozitivul de tăiere; consultați imaginea A13.

### ÎNLOCUIREA DISPOZITIVULUI DE ALIMENTARE

Atunci când roata de alimentare nu mai alimentează sârma, se recomandă înlocuirea acesteia. Numărul de piesă a setului: 5001602

### ÎNLOCUIREA DISPOZITIVULUI DE RĂSUCIRE ȘI A DISPOZITIVULUI CU CĂRLIGE



În cazul în care roata de răsucire nu mai reușește sau ajungeți să aveți răsuciri proaste, se recomandă înlocuirea. Numărul de piesă a setului: 5001603

### ÎNLOCUIREA DISPOZITIVULUI DE FRÂNARE

În cazul în care inelul O dintre frâna rotativă și butucul de frână fixă este uzat, se recomandă o înlocuire.

Numărul de piesă a setului: 5001604

#### LISTA PIESELOR DE SCHIMB

##### SET A: DISPOZITIV DE TĂIERE

##### ARTICOL NR. 5001601

| POZIȚIA | DESCRIERE               | CANTITATE |
|---------|-------------------------|-----------|
| 76.     | Lamă fixă               | 1         |
| 77.     | Bloc de ghidare a lamei | 1         |
| 81.     | Lamă mobilă             | 1         |

##### SET B: DISPOZITIV DE ALIMENTARE

##### ARTICOL NR. 5001602

| POZIȚIA | DESCRIERE        | CANTITATE |
|---------|------------------|-----------|
| 80.     | Roată de cauciuc | 3         |
| 64.     | Saibă            | 3         |

##### SET C: DISPOZITIV DE RĂSUCIRE ȘI CÂRLIGE

##### ARTICOL NR. 5001603

| POZIȚIA | DESCRIERE         | CANTITATE |
|---------|-------------------|-----------|
| 61.     | Roată de legătură | 1         |
| 62.     | Șurub hexagonal   | 1         |
| 68.     | Cârlig principal  | 1         |
| 69.     | Știft             | 1         |
| 54.     | Bloc de ghidare   | 1         |

##### SET D: DISPOZITIV DE FRÂNARE

##### ARTICOL NR. 5001604

| POZIȚIA | DESCRIERE       | CANTITATE |
|---------|-----------------|-----------|
| 5.      | Șurub cu cap    | 1         |
| 6.      | Garnitură plată | 1         |
| 8.      | Inel            | 1         |
| 11.     | Bandă           | 1         |

##### SET E: FOARFECĂ ARTICOL NR. 5001605

#### INFORMAȚII SUPLIMENTARE PRIVIND SERVICE-UL

Consultați [www.rapid.com](http://www.rapid.com)

### GARANȚIE

#### I. PERIOADA DE GARANȚIE

Acest produs RAPID este garantat trei (3) ani prin garanția producătorului (sau garanție comercială), de la data de livrare spre utilizatorul final (piesele supuse uzurii, accesoriile, acumulatorii și încărcătoarele sunt excluse). Acumulatorii și încărcătoarele au garanție de doi (2) ani. Pentru extinderea garanției aparatului la cinci (5) ani, vă rugăm să vă înregistrați online la [www.rapid.com](http://www.rapid.com) sau să scanați codul QR. Pregătiți aparatul și chitanța de cumpărare.

#### II. CONDIȚII DE GARANȚIE

Orice produs folosit diferit de obiectivul său sau utilizat în condiții diferite de cele prestabilite, mai ales în privința punctelor prezentate în acest manual al utilizatorului, nu poate cădea sub incidența garanției

producătorului. De asemenea, garanția nu se aplică în cazul lovirii, căderii, neglijenței, lipsei de control și/ sau întreținere. Orice modificare, transformare sau schimbare aplicată produsului de către utilizator anulează garanția. Piesele supuse uzurii, accesoriile și/sau consumabilele nu sunt acoperite niciodată de garanție.

Sunt considerate accesorii, piese supuse uzurii sau consumabile:

Cutia de transport și ambalajul, bobinele de sârmă și piesele de rezervă (KIT A până la KIT E) din acest manual de utilizare.

#### III. SOLICITĂRI ÎN BAZA GARANȚIEI

Perioada de garanție începe de la data livrării către utilizatorul final.

În cazul unei solicitări în baza garanției, produsul trebuie returnat în cutia originală (inclusiv acumulatorii și încărcătorul), împreună cu o copie a chitanței datate originale.

### RECIKLAREA ACUMULATORI

Bateriile consumate trebuie scoase din aparat și eliminate în siguranță.

Acumulatorii nu pot fi aruncați împreună cu deșeurile menajere obișnuite. Pot conține metale grele toxice și sunt supuse reglementărilor privind deșeurile periculoase.

Din acest motiv, predați acumulatorii uzați la un punct de colectare local



2012/19/EU

**RO Deșeurile de echipamente electrice și electronice (DEEE)**

Dispozitivele electrice și electronice conțin materiale și substanțe care pot avea efecte dăunătoare asupra sănătății umane și a mediului. Simbolul de pe dispozitiv, accesoriile sau ambalajele indică faptul că acest dispozitiv nu trebuie tratat ca deșeu municipal nesortat, ci trebuie colectat separat! Eliminați dispozitivul prin intermediul punctelor de colectare pentru reciclarea deșeurilor de echipamente electrice și electronice din cadrul UE și din alte țări europene care operează sisteme de colectare selectivă pentru deșeurile de echipamente electrice și electronice. Prin eliminarea în mod corect a dispozitivului, ajutați la evitarea posibilităților pericole pentru mediu și sănătatea umană, care altfel ar putea fi produse de tratarea incorectă a deșeurilor de echipamente. Reciclarea materialelor contribuie la conservarea resurselor naturale.

# ВНХ50 АКУМУЛАТОРНА МАШИНА ЗА ВРЪЗВАНЕ

Превод на оригиналните указания

BG

## ЕЛЕМЕНТИ НА ИНСТРУМЕНТА

- A. Машина за връзване на лозя
- A1. Водеща нука
- A2. Притискаща пластина
- A3. Усухващо колело
- A4. LED светлина
- A5. Спусък
- A6. Захранваща поставка
- A7. Ролка
- A8. Еластична каишка
- A9. Селектор на усукване - минус
- A10. Дисплей
- A11. Селектор на усукване - плюс
- A12. Бутон захранване
- A13. Смазване
- B. Литиева батерия
- B1. Бутон за освобождаване на батерията
- B2. Конектор на батерията за свързване към инструмента
- C. Зарядно устройство за батерията
- C1. Конектор за свързване към ел. мрежа
- C2. LED индикатор
- C3. Зареждащи жакове
- D. Ножица
- E2. Зареждане на батерията
- F. Символи
- F1. Моля, прочетете внимателно всички указания и инструкции за безопасност.
- F2. Батерията да се зарежда само на закрито.
- F3. Двойна изолация, не се изисква заземяване.
- F4. Обезопасено трансформаторно зарядно устройство.
- F5. Зареждането на батерията ще прекъсне автоматично в случай на прегряване.
- F6. Не използвайте машината за връзване в дъждовни условия.
- F7. Електрическо оборудване не може да се изхвърля с битовите отпадъци.
- F8. Никога не допускате контакт на електрическите ножици с предмети под напрежение.
- F9. Носете предпазни средства за очите и слуха.
- F10. Носете предпазни ръкавици.
- F11. Предупредителен символ с информация за нараняване.

## ВЪВЕДЕНИЕ

Този инструмент е предназначен за връзване на лозови клонове в лозови масиви с максимален диаметър 25 мм.

Машината за връзване трябва да се използва само по предназначение.

Ако този инструмент се използва за други нерегламентирани цели, това може да причини

повреда на инструмента и нараняване на потребителя.

Инструментът трябва да се използва само от възрастни или от младежи под надзора на възрастни.

Операторът или потребителят поемат пълната отговорност за нанесени евентуални щети на други лица или всякакви имуществени щети, причинени от злополука, възникнала по време на употреба.

Производителят не носи отговорност за щети, причинени от нерегламентирана или неправилна употреба.

## ТЕХНИЧЕСКИ ХАРАКТЕРИСТИКИ

|   |  |
|---|--|
| Акумулаторна машина за връзване, модел номер              | VNH50  |
| Тип ролка   | Хартия или пластмасово   |
| Капацитет на магазина, макс.                              | 100 m  |
| Максимален капацитет на връзване                          | 25 mm  |
| Размери на инструмента (В x Ш x Д)                        | 240 x 75 x 310 mm  |
| Тегло   | 1.065 кг (вкл. батерията)  |
| Батерия модел, тип, напрежение                            | Съвпада се КН-В1А16ВХ, Li-Ion, 14.4V   |
| Капацитет на батерията, мощност, макс. мощност            | 2500 mAh, 100W, 500W   |
| Температура на околната среда при зареждане на батерията  | +4°C до +40°C  |
| Температура на околната среда при съхранение на батерията | -20°C до +50°C   |
| Зарядно устройство  | 100-240V A.C, 50-60Hz, 0.5A input<br>16.8V D.C, 1.42A, клемми за две батерии, последователно зареждане |
| Време за зареждане  | 120 минути/за всяка батерия  |
| Връзки за 1 зареждане, макс.                              | ≈ 9000 връзки  |
| Скорост на връзване, макс. продължителност                | 12 връзки/мин  |
| Условия за околната среда при работа                      | +4°C до +40°C  |

## ОБЩИ ПРЕДУПРЕЖДЕНИЯ ЗА БЕЗОПАСНОСТ ЗА ЕЛЕКТРИЧЕСКИ ИНСТРУМЕНТИ



**ВНИМАНИЕ!!** Прочетете всички указания за безопасност, инструкции, илюстрации и спецификации,



предоставени с този електроинструмент. Неспазването на приведените по-долу указания може да доведе до токов удар, пожар и/или тежки травми.

## Пазете всички предупреждения и указания за бъдещи справки.

Използваният в предупрежденията термин „електроинструмент“ се отнася до захранвани от електрическата мрежа електроинструменти (със захранващ кабел) или до захранвани от акумулаторна батерия електроинструменти (без захранващ кабел).

### 1) БЕЗОПАСНОСТ НА РАБОТНОТО МЯСТО

- a) Поддържайте работното си място чисто и добре осветено. Разхвърляните и неосветени работни места могат да спомогнат за възникване на злополука.
- b) Не работете с електроинструменти във взривоопасна среда, например при наличие на възпламеними течности, газове или прах. Електроинструментите отделят искри, които могат да възпламенят праха или изпаренията.
- в) Дръжте странични лица, деца и посетители на разстояние, докато работите с електроинструмента. Ако вниманието ви бъде отклонено, може да загубите контрола над електроинструмента.

### 2) БЕЗОПАСНОСТ ПРИ РАБОТА С ЕЛЕКТРИЧЕСКИ ТОК

- a) **Щепселът на електроинструмента трябва да е подходящ за ползвания контакт. В никанъв случай не се допуска измяна на конструкцията на щепсела. Когато работите със заземени електроуреди, не използвайте адаптери за щепсела.** Ползването на оригинални щепсели и подходящи контакти ще намали риска от възникване на токов удар.
- b) **Избягвайте контакт на тялото със заземени тела като например тръби, радиатори, печки и хладилници.** Ако тялото ви е заземено, съществува по-голям риск от възникване на токов удар.
- в) **Не излагайте електроинструментите на дъжд или влага.** Проникването на вода в електроинструмента повишава опасността от токов удар.
- г) **Използвайте захранващия кабел единствено по предназначение. Никога не използвайте кабела за носене на електроинструмента, дърпане или изваждане на щепсела от контакта. Предпазвайте кабела от нагриване, омасляване, допир до остри ръбове или до подвижни звена на машини.** Повредени или усукани кабели увеличават риска от възникване на токов удар.
- д) **Когато работите с електроинструмент навън, използвайте удължителни кабели, предназначени за работа на открито.** Използването на удължител, предназначен за работа на открито, намалява риска от възникване на токов удар.
- е) **Ако работата с ел. инструмент на влажно място е неизбежна, използвайте безопасен уред за намаляване на**

остатъчния ток (RCD). Използването на такъв RCD уред намалява риска от токов удар.

### 3) ЛИЧНА БЕЗОПАСНОСТ

- a) **При работа с електроинструменти бъдете концентрирани, следете внимателно действията си и постъпвайте разумно. Не използвайте електроинструмента, когато сте уморени или под влиянието на наркотични вещества, алкохол или лекарства.** Един миг разсеяност при работа с електрически инструмент може да има за последствие тежки наранявания
  - b) **Използвайте лично предпазно оборудване. Винаги носете предпазни очила.** Предпазното оборудване като дихателна маска, нехлъзгащи се обезопасяващи обувки, защитна каска или шумозаглушители (антифони), използвано съобразно съответните условия, ще ограничи нараняванията.
  - в) **Предотвратете възможността за включване на инструмента по невнимание. Преди да включите към източника на захранване и/или акумулаторната батерия, да вземете или да носите инструмента, се уверете, че прекъсвачът е в изключено положение.** Носенето на електроинструменти с пръст, поставен върху прекъсвача, или подаването на захранване към електроинструменти, чийто прекъсвач е във включено положение, създава условия за настъпване на злополука.
  - г) **Преди да включите електроинструмента, се уверявайте, че сте отстранили от него всички помощни инструменти и гаечни ключове.** Помощен инструмент или гаечен ключ, забравен на въртящо се звено на електроинструмента, може да причини травми.
  - д) **Не се протегайте прекомерно. Във всеки един момент ходете равномерно и пазете равновесие.** Така ще можете да контролирате електроинструмента по-добре и по-безопасно, ако възникне неочаквана ситуация.
  - д) **Носете подходящо облекло. Не носете свободно висящи дрехи или бижуца. Дръжте косата, дрехите и ръкавици си на безопасно разстояние от въртящите се звена.** Широките дрехи, украшенията или дългите коси могат да бъдат захванати от въртящите се звена.
  - ж) **Ако са предвидени устройства за свързване на прахоуловителни и аспирационни съоръжения, се уверете, че те са свързани и функционират изправно.** Използването на аспирационна система намалява рисковете, дължащи се на отделящата се при работа прах.
  - з) **Не позволявайте рутината, придобита от честата употреба на инструменти, да притъпи вниманието Ви и да игнорирате принципите за безопасност.** Небрежно действие може да причини тежки наранявания за части от секундата.
- ### 4) ЕКСПЛОАТАЦИЯ И ОБСЛУЖВАНЕ НА ЕЛЕКТРОИНСТРУМЕНТИ

- а) **Не претоварвайте електроинструмента. Използвайте подходящия електроинструмент за съответното предназначение.** Ще работите подобре и по-безопасно, когато използвате подходящия електроинструмент в зададения от производителя диапазон на натоварване.
- б) **Не използвайте електроинструмент, чиито пусков прекъсвач е повреден.** Електроинструмент, който не може да се управлява от пусковия прекъсвач, е опасен и трябва да бъде ремонтиран.
- в) **Преди да промените настройките, да смените спомагателни части или да приберете инструмента за съхранение, изключете инструмента от акумулаторната батерия и/или щепсела от източника на електрозахранване.** Тези предпазни мерки ограничават риска от задействане на електроинструмента по невнимание.
- г) **Съхранявайте неизползваните електроинструменти на места, недостъпни за деца, и не допускате те да бъдат използвани от лица, които не са запознати с начина на работа с тях и не са прочели тези инструкции.** В ръцете на необучен потребител електроинструментите могат да бъдат опасни.
- д) **Извършвайте техническо обслужване на ел. инструментите и аксесоарите. Проверявайте за разместване или нарушени спойки на движещи се части, счупване на части или други нередности, които могат да повлияят на работата на инструмента.** В случай на евентуална повреда, поправете електрическия инструмент преди употреба. Много от трудовите злополуки се дължат на недобре поддържани ел. инструменти.
- е) **Поддържайте режещите инструменти винаги добре заточени и чисти.** Добре поддържаните режещи инструменти със заточени остриета оказват по-малко съпротивление и се водят по-леко.
- ж) **Използвайте електроинструментите, допълнителните приспособления, работните инструменти и т.н., в съответствие с настоящите инструкции, като се съобразявате с условията на експлоатация и работата, която трябва да се извърши.** Използването на електроинструменти за различни от предвидените от производителя приложения може да доведе до опасни ситуации.
- з) **Поддържайте дръжките и захващащите повърхности сухи, чисти и обезмаслени.** Хлъзгавите дръжки и захващащи повърхности не позволяват безопасна работа и контрол на инструмента при неочаквани ситуации.
- 5) ГРИЖЛИВО ОТНОШЕНИЕ КЪМ АКУМУЛАТОРНИ ЕЛЕКТРОИНСТРУМЕНТИ**
- а) **За зареждането на акумулаторните батерии използвайте само зарядни устройства, препоръчвани от производителя.** Когато използвате зарядни устройства за зареждане на неподходящи акумулаторни батерии, съществува опасност от възникване на пожар.
- б) **За захранване на електроинструментите използвайте само предвидените за съответния модел акумулаторни батерии.** Използването на различни акумулаторни батерии може да предизвика трудова злополука и/или пожар.
- в) **Предпазвайте неизползваните акумулаторни батерии от контакт с големи или малки метални предмети, напр. кламери, монети, ключове, пириони, винтове и др., тъй като те могат да предизвикат късо съединение.** Последствията от късото съединение могат да бъдат свързани с изгаряния или пожар.
- г) **При неправилно използване на акумулаторна батерия може да изтече електролит. Избягвайте контакта с него. Ако въпреки това на кожата Ви попадне електролит, изплакнете мястото обилно с вода. Ако електролит попадне в очите Ви, след незабавно обилно изплакване потърсете помощ от лекар. Електролитът може да предизвика изгаряния на кожата.**
- д) **Не използвайте акумулаторна батерия или електроинструмент, които са повредени или с изменена конструкция.** Повредени или изменени акумулаторни батерии могат да се възпламенят, експлодират или да предизвикат наранявания.
- е) **Не излагайте акумулаторната батерия на високи температури или огън.** Излагането на огън или температури над 130 °C могат да предизвикат експлозии.
- ж) **Спазвайте всички указания за зареждане на акумулаторната батерия. Не я зареждайте, ако температурата ѝ е извън диапазона, посочен в инструкцията.** Неправилното зареждане или зареждането при температури, извън допустимия диапазон, могат да увредят батерията и увеличават опасността от пожар.
- 6) ТЕХНИЧЕСКО ОБСЛУЖВАНЕ**
- а) **Осигурявайте техническо обслужване на електроинструментите от квалифицирани сервизни специалисти и само с използването на оригинални резервни части.** По този начин се гарантира съхраняване на безопасността на електроинструмента.
- б) **Никога не ремонтирайте повредени акумулаторни батерии.** Ремонтът на акумулаторни батерии трябва да се извършва само от производителя или от оторизиран сервиз.

## УКАЗАНИЯ ЗА БЕЗОПАСНОСТ



### ВНИМАНИЕ!

1. Не сваляйте предния капак по време на работа. За да избегнете нараняване, дръжте предния край на куката далеч от която и да е част на тялото.

2. След като операцията по връзване приключи, внимателно преместете инструмента до следващата му работна позиция. Внимателното боравене с инструмента ще предпази оператора и ще удължи експлоатационния живот на машината за връзване.
3. Не използвайте машината за връзване при дъжд, попаднала вода в инструмента може да го повреди.
4. Продуктът е предназначен за връзване на лозя и други клоно в рамките на диапазон от максимален диаметър 25 mm. Работа извън обхвата може да повреди инструмента или да намали експлоатационния му живот.
5. Изключвайте захранването преди всеки опит да освободите евентуална засечка на куката за подаване или телта за връзване.
6. Уверете се, че има достатъчно място, за да се движи куката за подаване - ако нещо възпрепятства свободното и движение, крайният резултат на връзването може да не е добър.
7. Не използвайте инструмента в близост до запалими течности или газове. Ако възникне нъсо съединение, това може да причини експлозия или пожар.
8. Захранващата система трябва редовно да се проверява и почиства. Ако в захранващия канал се натрупат мръсотия/чужди частици, това ще се отрази на работния процес и ще увеличи натоварването на инструмента. Гаранцията на продукта не покрива щети, причинени от неправилна поддръжка.
9. Не се опитвайте да ремонтирате инструмента сами, освен ако не сте обучени. Ремонтните операции, които не са споменати в това ръководство, могат да се извършват само от персонала на оторизиран сервизен център.

## ИНФОРМАЦИЯ ЗА ИЗЛЪЧВАН ШУМ И ВИБРАЦИИ

- Равнище A на звуково налягане  $L_pA = 70.5$  dB(A), неопределеност  $K = 3$  dB(A). Ниво A на звукова мощност  $L_wA = 81.5$  dB(A), неопределеност  $K = 3$  dB(A). Препоръчва се операторът да носи предпазни средства за слуха.
- Обща стойност на вибрациите  $= 1.125$  m/s<sup>2</sup>, неопределеност  $K = 1.5$  m/s<sup>2</sup>. Декларираната обща стойност на вибрациите е измерена в съответствие със стандартен метод за изпитване и може да се използва за сравняване на един инструмент с друг. Декларираната обща стойност на вибрациите може също да се използва за предварителна оценка на вибрационното въздействие.



### ВНИМАНИЕ!

Емисията на вибрации при реалната употреба на електроинструмента може да се различава от декларираната обща стойност в зависимост от начините, по които се използва инструментът.

Необходимо е да се идентифицират необходимите мерки за безопасност на оператора, които се базират на оценка на

излагането му на действителните условия по време на употреба (като се вземат предвид всички етапи на работния процес - например времето, през което инструментът е изключен, и времето, когато работи на празен ход - в допълнение към времето за работа).

## РЪКОВОДСТВА

Сканирайте QR кода в началото на ръководството за употреба или отидете на [www.rapid.com](http://www.rapid.com), за да се възползвате от 2-годишно удължаване на гаранцията и достъп до нашите образователни видеа:

Как да смените ролките.

Как да използвате инструмента.

Как да подмените износващите се части.

## РАБОТА С ИНСТРУМЕНТА

### ВКЛЮЧВАНЕ НА МАШИНАТА ЗА ВРЪЗВАНЕ

Уверете се, че инструментът е в добро работно състояние.

Поставете заредена батерия в захранващия конектор на машината за връзване.

Натиснете бутона за захранване, дисплей светва и ще чуете последователно 1 дълъг, 3 кратки и 1 дълъг звукови сигнали.

### ПРОЦЕС НА ВРЪЗВАНЕ

Поставете клонките във връзващата челюст.

Натиснете спусъка, за да вържете връзка.

Отпуснете спусъка и отдръпнете машината от клонката.

Повторете за всяка следваща връзка.

### ЗАРЕДЕТЕ НОВА РОЛКА ИЗПОЛЗВАЙКИ SMART CUT

**ВНИМАНИЕ!! СЛЕДВАЙТЕ ТЕЗИ 8 СТЪПКИ ЗА ЕФЕКТИВНО ЗАРЕЖДАНЕ НА ИНСТРУМЕНТА**

1. Спрете да връзвате, когато имате 4-5 оборота оставаща тел на ролката, вижте снимка G1.
2. Задръжте спусъка 4-5 сек. докато водещата кука се заключи в активно положение, след което го отпуснете. Smart cut е активиран, вижте снимка G2.  
Не изключвайте машината и все още не натискайте спусъка.  
Отворете катарамата и свалете външния напак.
3. Извадете използваната ролка с останалата тел и връзката от челюстите на куката, вижте снимка G3.
4. Сега натиснете спусъка веднъж, за да деактивирате Smart cut, и извадете връзката от челюстите на куката, вижте снимка G4.
5. Поставете новата ролка директно в магазина. Отстранете придържащата края лента; вижте снимка G5.
6. Вкарвайте телта в захранващата дюза, докато достигне крайния ограничител и натиснете спусъка, за да захраните машината с поставената тел, вижте снимка G6.




! Уверете се, че телта е вкарана отгоре, а не отдолу, също така се уверете, че телта не е усукана и заплетена.

- Отстранете основната фиксираща лента, вижте снимка G7.
- Поставете обратно капака на ролковия корпус и натиснете спусъка, докато получите задоволителна връзка, вижте снимка G8.

### РЕГУЛИРАНЕ НИВОТО НА УСУКВАНЕ

За постигане на оптимални възли според типа клонки, можете да регулирате броя на усукванията, като изберете „Ниво на усукване“.

| Селектор на усукване   |   |   |   |   |
|--|---|---|---|---|
| Ниво на усукване  | 1 | 2 | 3 | 4 |
| Брой усуквания   | 2 | 3 | 4 | 5 |

### ЗВУКОВИ СИГНАЛИ ПРИ ВЪЗНИКНАЛ ПРОБЛЕМ

| Честота на звуковите сигнали | Проблем                                      | Помощ   |
|------------------------------|--|---|
| Единичен сигнал              | Батерията не захранва инструмента            | Проверете капацитета на батерията             |
| Множествени сигнали          | Неизправност във вътрешността на инструмента | Инструментът се нуждае от квалифициран сервиз |

### УПОТРЕБА И ГРИЖА ЗА БАТЕРИЯТА

#### ВНИМАНИЕ!!

- Използвайте само зарядното устройство осигурено с инструмента. Употребата на други зарядни устройства може да предизвика пожар.
- Използвайте, зареждайте и съхранявайте батерията само в рамките на указания температурен диапазон.
- При температура на околната среда под +4°C капацитетът на батерията може да намалее и това съответно да се отрази на броя на работните цикли.
- Не свързвайте на късо батерията и дръжте всякакви проводими елементи далеч от батерията, когато не се използва.
- Не разглобявайте батерията.
- Не използвайте батерията в прекалена близост до източник на топлина.
- Пазете батерията от огън и вода.
- Не нарушавайте целостта на батерията.
- Не използвайте батерия, която е повредена, деформирана или корозирала.
- Не извършвайте никакво запояване или заваряване по елементите на батерията.
- Не използвайте батерия или оборудване различни от предоставените с инструмента.
- Не поставяйте батерията в микровълнова печка.
- Не използвайте батерия, която е протекла.
- Пазете батерията далеч от обсега на ДЕЦА.
- В случай на физически контакт с протекла батерия, незабавно промийте засегнатата повърхност с чиста вода.

### ЗАРЕЖДАНЕ НА БАТЕРИЯТА

Свържете батерията към зарядното устройство и включете щепсела на устройството към контакта. LED индикаторът на зарядното устройство ще

свети в ЧЕРВЕНО по време на зареждането и ще стане ЗЕЛЕН, когато батерията е напълно заредена, вижте снимка E2.

#### ВНИМАНИЕ!!

### ЗАРЕЖДАНЕ НА БАТЕРИЯТА

- Нормално е батерията и зарядното устройство да загреят по време на зареждане.
- Не зареждайте повредена батерия и не разглобявайте батерията или зарядното устройство.
- Зареждайте батерията само в границите на указания температурен диапазон.
- Не поставяйте батерията близо до високотемпературен източник на топлина. Батерията може да експлодира при поставяне в огън или продължително излагане на източник на висока температура.
- Не зареждайте батерията навън на открито или във влажна среда.

### СЪХРАНЕНИЕ НА БАТЕРИЯТА

- За да осигурите добро съхранение на батерията, спазвайте условията на указания температурен диапазон.
- Ако оборудването няма да се използва за дълъг период от време, извадете батерията от инструмента и я заредете, преди да я оставите на съхранение.
- Препоръчително е, когато не са в употреба, батерията и зарядното устройство да се съхраняват в надеждна кутия за инструменти.
- Батерията трябва да се съхранява в суха среда далеч от запалими материали.

### УПОТРЕБА И ГРИЖА ЗА ЗАРЯДНОТО УСТРОЙСТВО

#### ВНИМАНИЕ!!

Използвайте оригиналното зарядно устройство, за да осигурите безопасно функциониране на оборудването.

Използвайте само зарядно устройство в добро състояние. Никога не опитвайте да използвате дефектно зарядно устройство.

Уверете се, че захранващото напрежение съпада с номиналното напрежение указано на етикета на зарядното устройство.

Изключете зарядното устройство от източника на захранване, когато не се ползва.

Не използвайте зарядното устройство на открито или във влажна среда. Проникването в него на мръсотия или вода ще увеличи риска от токов удар.

Зарядното устройство трябва да се използва само за зареждане на оригиналната батерия, в противен случай може да причини наранявания и пожар.

Пазете зарядното устройство от всякакви повреди и деформации, повредено зарядно устройство може да увеличи риска от токов удар.

Не използвайте зарядното устройство върху лесно запалими повърхности (напр. хартия, текстил..).

Ако захранващият кабел на зарядното устройство е повреден, същият трябва да бъде подменен от квалифицирано лице.

## ПОДДРЪЖКА



### ВНИМАНИЕ!!

Отстранете батерията преди всякакви действия по поддръжка.

## ОБЩО ПОЧИСТВАНЕ СЛЕД КРАЯ НА ВСЯКА РОЛКА

Инструментът трябва да се избърше с влажна кърпа.

Използвайте четка за рисуване или подобна, за да отстраните чужди частици от направляващия канал, усукващото колело и захранващата поставана.

! Не използвайте никакви почистващи препарати, в противен случай може да причините трайно увреждане на инструмента.

## ТИП МАСЛО И СМАЗВАНЕ СЛЕД ВСЕКИ РАБОТЕН ДЕН

Използвайте добро универсално масло, например 3-IN-ONE или 15W-40. Смажете всяка подвижна връзка и резеца, вижте снимка А13.

## СМЯНА НА ЗАХРАНВАЩИЯ МЕХАНИЗЪМ

Когато захранващото колело вече не може да подава телта, се препоръчва смяна. Арт. номер на комплекта: 5001602

## СМЯНА НА УСУКВАЩОТО КОЛЕЛО И КУКАТА

В случай, че усукващото колело спре да усуква или установите некачествени усуквания, се препоръчва смяна. Арт. номер на комплекта: 5001603

## СМЯНА НА СПИРАЧНОТО УСТРОЙСТВО

Когато О-пръстенът между въртящата се спирачка и фиксираната спирачна главина е износен, се препоръчва смяна. Арт. номер на комплекта: 5001604

## СПИСЪК РЕЗЕРВНИ ЧАСТИ

### КОМПЛЕКТ А: РЕЖЕЩО УСТРОЙСТВО АРТ. НОМЕР 5001601

| ПОЗИЦИЯ | ОПИСАНИЕ                     | КОЛИЧЕСТВО |
|---------|------------------------------|------------|
| 76.     | Финсирано острие             | 1          |
| 77.     | Направляващ блок на острието | 1          |
| 81.     | Подвижно острие              | 1          |

### КОМПЛЕКТ В: ЗАХРАНВАЩО УСТРОЙСТВО АРТ. НОМЕР 5001602

| ПОЗИЦИЯ | ОПИСАНИЕ      | КОЛИЧЕСТВО |
|---------|---------------|------------|
| 80.     | Гумено колело | 3          |
| 84.     | Зегерна       | 3          |

### КОМПЛЕКТ С: ВРЪЗВАЩО УСТРОЙСТВО АРТ. НОМЕР 5001603

| ПОЗИЦИЯ | ОПИСАНИЕ    | КОЛИЧЕСТВО |
|---------|-------------|------------|
| 61.     | Колело      | 1          |
| 62.     | Винт        | 1          |
| 68.     | Главна кука | 1          |
| 69.     | Щифт        | 1          |
| 54.     | Водещ блок  | 1          |

### КОМПЛЕКТ D: СПИРАЧНО УСТРОЙСТВО АРТ. НОМЕР 5001604

| ПОЗИЦИЯ | ОПИСАНИЕ          | КОЛИЧЕСТВО |
|---------|-------------------|------------|
| 5.      | Главен винт       | 1          |
| 6.      | Плоско уплътнение | 1          |
| 8.      | Пръстен           | 1          |
| 11.     | Лента             | 1          |

### КОМПЛЕКТ Е: НОЖИЦА АРТ. НОМЕР 5001605

### ДОПЪЛНИТЕЛНА СЕРВИЗНА ИНФОРМАЦИЯ

Вижте на [www.rapid.com](http://www.rapid.com)

## ГАРАНЦИЯ

### I. ГАРАНЦИОНЕН СРОК

Този продукт на RAPID е с гаранция 3 години, съгласно гаранцията на производителя (или търговска гаранция), от датата на доставка до крайния потребител (с изключение на износващите се части, аксесоари, батерии и зарядни устройства). Батериите и зарядните устройства са с гаранция 2 години. За да удължите гаранцията на инструмента до 5 години, моля регистрирайте се онлайн на [www.rapid.com](http://www.rapid.com) или сканирайте QR кода. Необходими са вашият инструмент и касова бележка за покупката.

### II. ГАРАНЦИОННИ УСЛОВИЯ

Не могат да бъдат предявявани иски за гаранцията на производителя за всички продукти, които се използват не по предназначение или работят при условия, различни от предвидените, особено по отношение на посочените в това ръководство за употреба. Гаранцията не важи и в случай на удар, падане, небрежност, липса на надзор и/или поддръжка. Всяка промяна, трансформация или модификация, извършена по продуктите от крайния потребител, прави гаранцията невалидна. Износващите се части, аксесоарите и/или консумативите не се покриват от гаранцията.

За аксесоари, износващи се части или консумативи се считат:

транспортната кутия и опаковката, ролките с тел и комплектите с резервни части (КОМПЛЕКТ А до КОМПЛЕКТ Е), включени в това ръководство за употреба.

### III. РЕКЛАМАЦИЯ В ГАРАНЦИОННИЯ СРОК

Гаранционният период започва да тече от датата на доставка до крайния потребител.

В случай на рекламация в гаранционния срок, продуктът трябва да бъде върнат в оригиналната опаковка (включително батерии и зарядно устройство), заедно с копие от оригиналната касова бележка.

## ИЗХВЪРЛЯНЕ НА БАТЕРИЯТА

Акумулаторите с отработен ресурс трябва да се отстраняват от изделиято и да се изхвърлят безопасно.

Не изхвърляйте батериите заедно с обичайните битови отпадъци, те могат да съдържат токсични тежки метали и са предмет на съответните

разпоредби за опасни отпадъци.  
С оглед на това, изхвърляйте използваните  
батерии само на определените за това районни  
пунктове.



**2012/19/EU**

**BG Отпадъчно електрическо и  
електронно оборудване (ОЕЕО)**

Електрическите и електронните устройства  
съдържат материали и вещества, които могат  
да имат вредни ефекти върху човешкото здраве  
и околната среда. Този символ показва, че  
устройството не трябва да се третира като  
несортиран битов отпадък, а трябва да се

събира отделно! Предайте устройството в пункт  
за събиране на отпадъци от електрическо и  
електронно оборудване в рамките на ЕС и в други  
европейски държави, които използват системи за  
разделно събиране на отпадъци от електрическо  
и електронно оборудване. Изхвърляйки  
устройството по правилния начин, помагате да се  
избегнат възможни опасности за околната среда  
и общественото здраве, които иначе биха могли  
да бъдат причинени от неправилното третиране  
на отпадъци. Рециклирането на материали  
допринася за опазването на природните ресурси.

UK Importer and authorised representative:  
ACCO UK Limited  
Oxford House Oxford Road  
Aylesbury HP21 8SZ  
United Kingdom

**Rapid** ®

**Isaberg Rapid AB**  
SE-335 71 Hestra, Sweden  
[www.rapid.com](http://www.rapid.com)

BHX50 Operating Instructions